



PASCO Specialty & Mfg., Inc.

P.O. Box 1667
 South Gate, CA 90280
 Phone (310) 537-7782
 Fax (800) 737-2726

7529 Perryman Court
 Curtis Bay, MD 21226
 Phone (410) 360-5010
 Fax (877) 377-6466

www.pascospecialty.com

TECHNICAL SPECIFICATION SUBMITTAL

Thermometers with 1/2" brass adapters for use in low pressure hot water systems.

Job Name _____ Date _____

Model Specified _____ Quantity _____

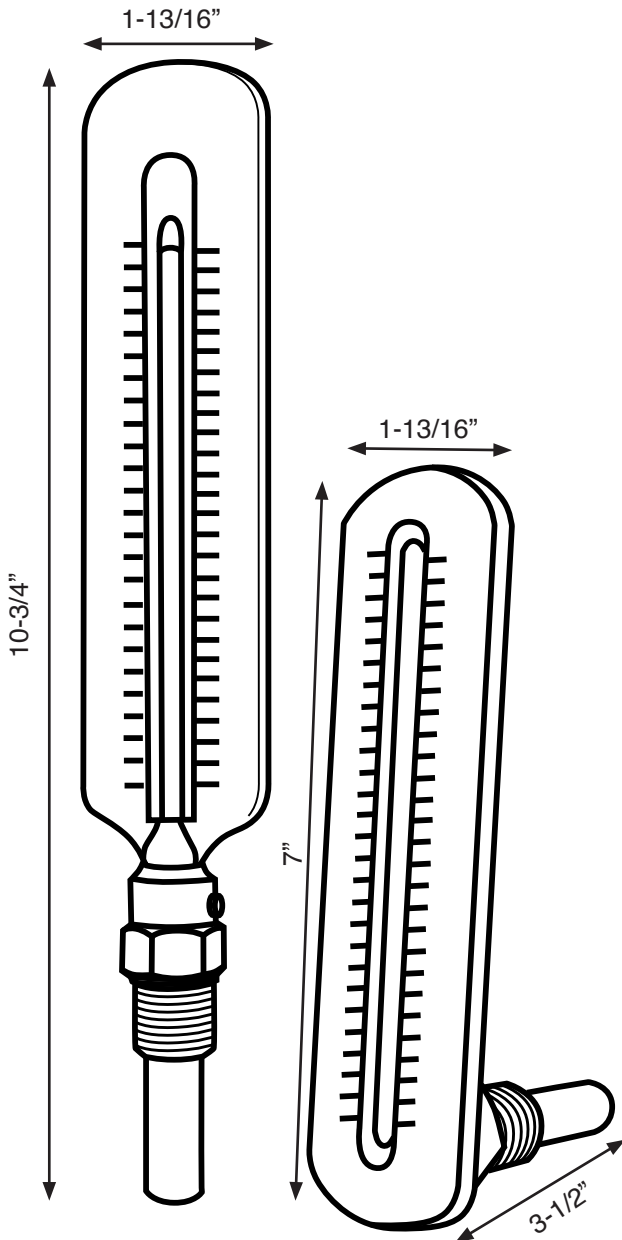
Customer/Wholesaler _____

Contractor _____

Architect/Engineer _____

Engineering Specification: Steel case thermometers with spirit columns for use in hot water and steam systems not exceeding 100 PSI, 1/2" brass straight or angle MPT connection.

HOT WATER THERMOMETERS



Dual Scale:

- 40 - 280 F
- 10 - 130 C
- 1/2" MPT connection
- 1442-1444 7" overall length
- 1443 - 14445 10-1/2" overall length

PART NUMBER	MPT MATERIAL	STYLE
1442	STEEL	ANGLE
1444	BRASS	ANGLE
1443	STEEL	STRAIGHT
1445	BRASS	STRAIGHT



WARNING: Birth Defects, Reproductive Harm, and Cancer. www.p65warnings.ca.gov.