



PASCO Specialty & Mfg., Inc.

P.O. Box 1667
 South Gate, CA 90280
 Phone (310) 537-7782
 Fax (800) 737-2726

7529 Perryman Court
 Curtis Bay, MD 21226
 Phone (410) 360-5010
 Fax (877) 377-6466

www.pascospecialty.com

TECHNICAL SPECIFICATION SUBMITTAL

Adjustable cast iron shower drain for use in ceramic tile shower stalls.

Job Name _____ Date _____

Model Specified _____ Quantity _____

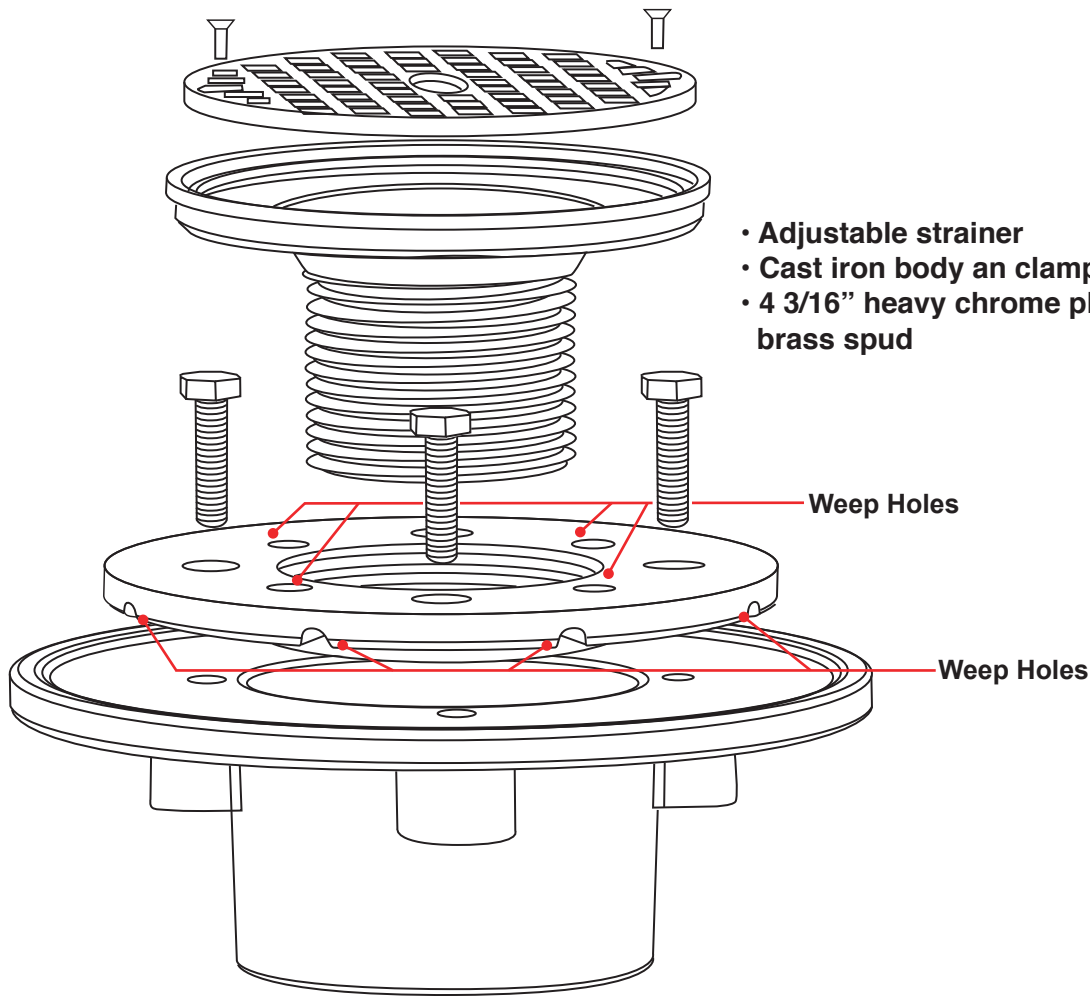
Customer/Wholesaler _____

Contractor _____

Architect/Engineer _____

Engineering Specification: Adjustable strainer cast iron body shower drain & clamping ring for use with vinyl shower pan liner in ceramic tile shower stall installations.

Shower Drain



- Adjustable strainer
- Cast iron body an clamping ring
- 4 3/16" heavy chrome plated brass strainer with brass spud

Weep Holes

Weep Holes

PART NUMBER	DESCRIPTION	DRAIN PIPE CONNECTION	MATERIAL
60201	SHOWER DRAIN	2" INSIDE CAULK	CAST IRON
60203		2" IPS	
60205		2" NO-HUB	



WARNING: Birth Defects, Reproductive Harm, and Cancer. www.p65warnings.ca.gov.