



PASCO Specialty & Mfg., Inc.

P.O. Box 1667
South Gate, CA 90280
Phone (310) 537-7782
Fax (800) 737-2726

7529 Perryman Court
Curtis Bay, MD 21226
Phone (410) 360-5010
Fax (877) 377-6466

www.pascospecialty.com

TECHNICAL SPECIFICATION SUBMITTAL

Personal Shower for use in outdoor exposed installations.

Job Name _____ Date _____

Model Specified _____ Quantity _____

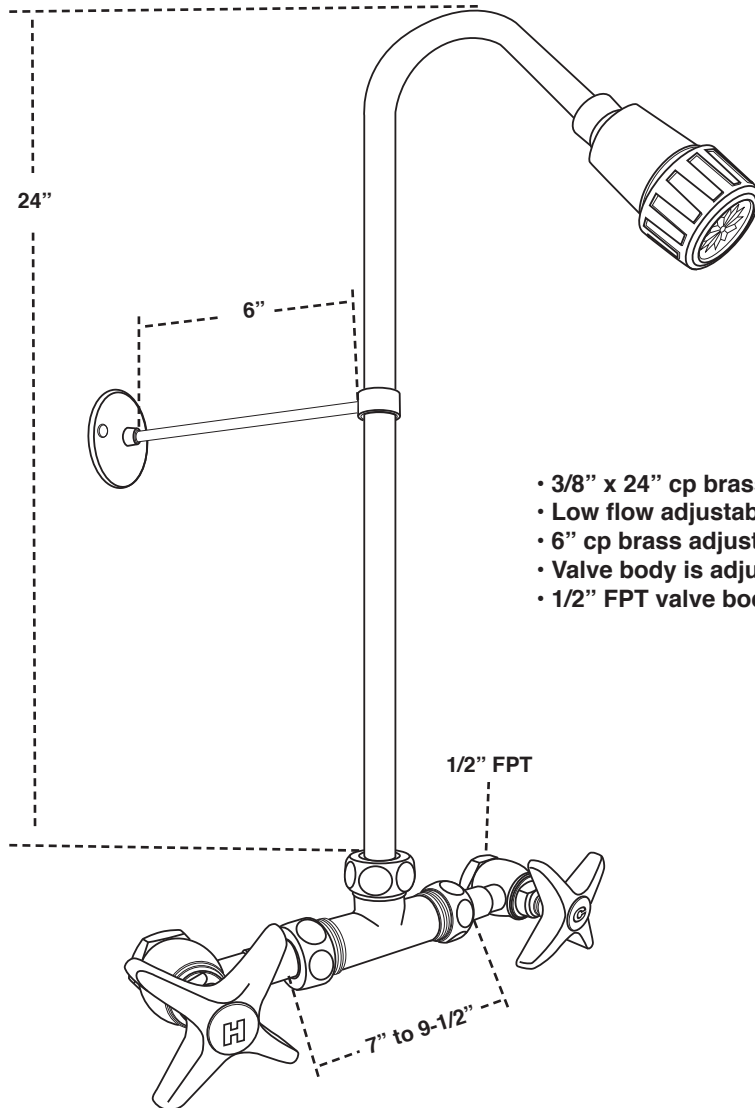
Customer/Wholesaler _____

Contractor _____

Architect/Engineer _____

Engineering Specification: Chrome plated brass personal shower for use in exposed installation locations such as swimming pools, campgrounds, lakes, beaches or rivers.

**Exposed Shower
#67252**



- 3/8" x 24" cp brass riser pipe
- Low flow adjustable shower head with 3/8" cp brass inlet
- 6" cp brass adjustable wall bracket and riser pipe loop
- Valve body is adjustable from 7" to 9-1/2"
- 1/2" FPT valve body inlets



WARNING: Birth Defects, Reproductive Harm, and Cancer. www.p65warnings.ca.gov.