

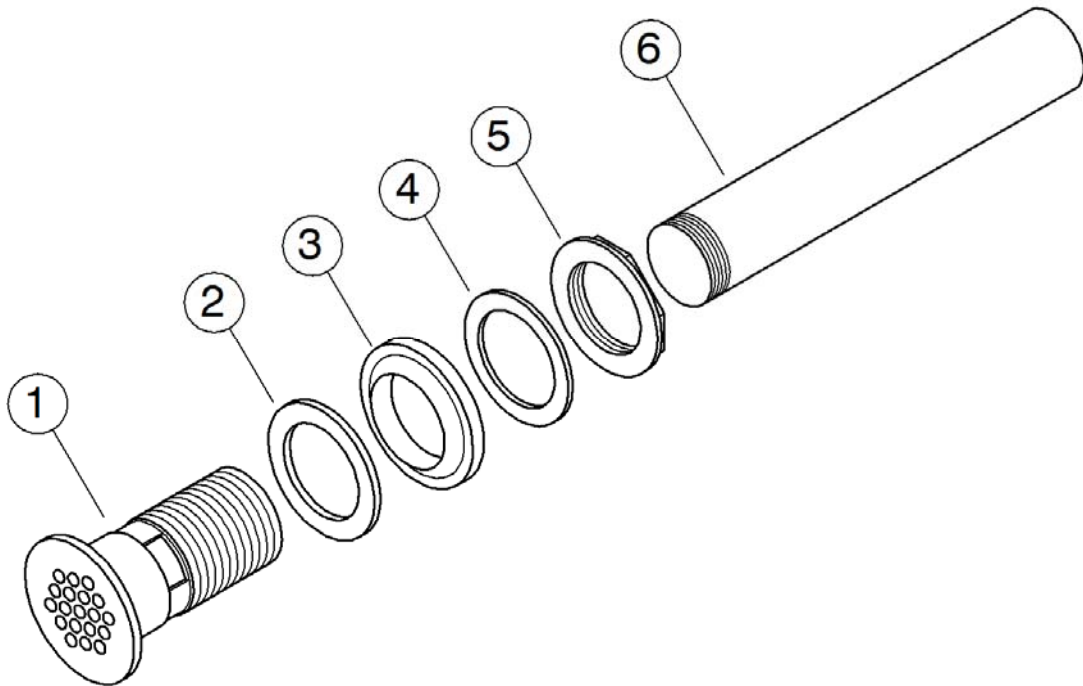


PASCO SPECIALTY & MFG., INC.

MODEL NO. 1176

PRODUCT NAME Commercial grid style lavatory drain

ITEM	PART NO.	PART NAME	Q'TY	REMARK
1		Cast brass strainer, chrome plated	1	
2		Rubber gasket	1	
3		Rubber gasket	1	
4		PE gasket	1	
5		Brass locknut	1	
6		1-1/4" x 6" Stainless (304) tube tail piece	1	



PASCO Specialty & Mfg., Inc.
11156 Wright Road
Lynwood, CA 90262

pascospecialty.com

7529 Perryman Court Unit 1
Curtis Bay, MD 21226



PASCO SPECIALTY & MFG., INC.

Specifications

MODEL NO.

1176

DESCRIPTION

- Commercial grid style lavatory drain

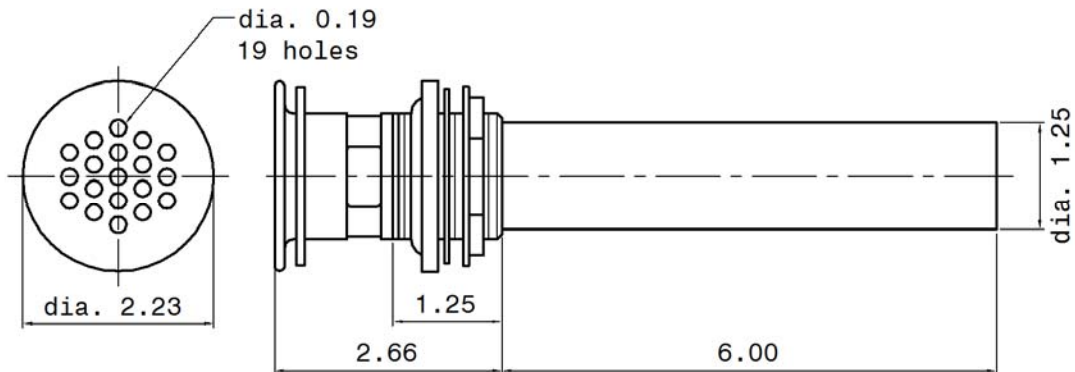
SPECIFICATION

- 19 holes drain escutcheon
- Chrome plated cast brass strainer
- 1-1/4" x 6" stainless steel (304) tube tail piece
- Brass locknut

PRODUCT STANDARD

-

DIMENSIONS (inch)



PASCO Specialty & Mfg., Inc.
11156 Wright Road
Lynwood, CA 90262

pascospecialty.com

7529 Perryman Court Unit 1
Curtis Bay, MD 21226