



PASCO Specialty & Mfg., Inc.

11156 Wright Road
Lynwood, CA 90262
Phone (310) 537-7782
Fax (800) 737-2726

7529 Perryman Court
Curtis Bay, MD 21226
Phone (410) 360-5010
Fax (877) 377-6466

www.pascospecialty.com

TECHNICAL SPECIFICATION SUBMITTAL

Brass waste connector (Desanko fitting) is compression ring style adapter that connects brass tubular drain waste arms to a tapped sanitary drain tee.

Job Name _____ Date _____

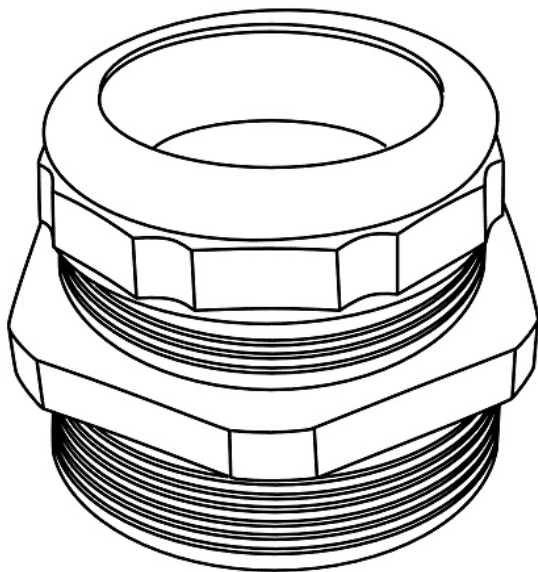
Model Specified _____ Quantity _____

Customer/Wholesaler _____

Contractor _____

Architect/Engineer _____

**Tubular X Male Pipe Thread (Outlet)
Female Copper Sweat Under MPT**



PART NUMBER	TUBULAR X MPT	SLIP NUT	COMPRESSION RING
1893	1-1/4" x 1-1/2"	Chrome Die Cast	Brass
1894	1-1/2"		
1943	1-1/4" x 1-1/2"	Rough Brass	
1944	1-1/2"		
1905	1-1/4" x 1-1/2"	Chrome Die Cast	Poly
1906	1-1/2"		
1944-S w/stops*	1-1/2"	Rough Brass	Brass

*Complies with UPC