



**PASCO Specialty & Mfg., Inc.**

11156 Wright Road  
Lynwood, CA 90262  
Phone (310) 537-7782  
Fax (800) 737-2726

7529 Perryman Court  
Curtis Bay, MD 21226  
Phone (410) 360-5010  
Fax (877) 377-6466

www.pascospecialty.com

**TECHNICAL SPECIFICATION SUBMITTAL**

Commercial or institutional grid style lavatory drain with 1-1/4" x 6" tailpiece

Job Name \_\_\_\_\_ Date \_\_\_\_\_

Model Specified \_\_\_\_\_ Quantity \_\_\_\_\_

Customer/Wholesaler \_\_\_\_\_

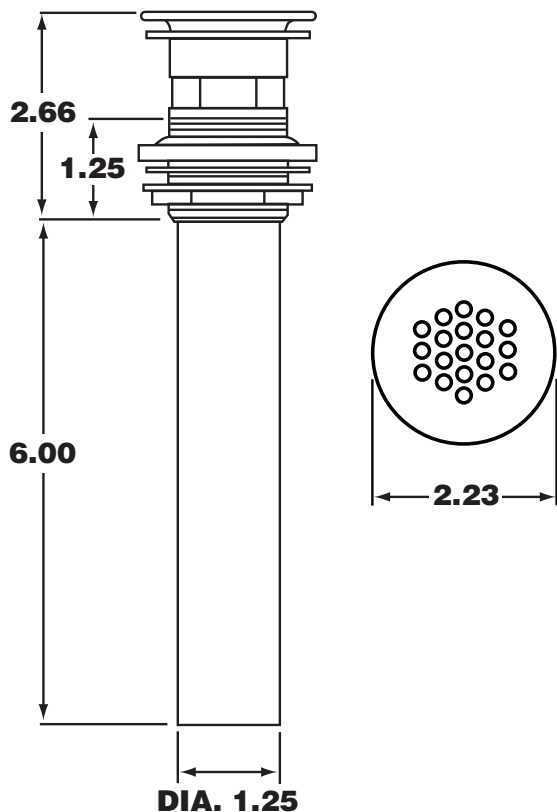
Contractor \_\_\_\_\_

Architect/Engineer \_\_\_\_\_

**Engineering Specification: All stainless steel commercial or institutional grid style lavatory drain with 1-1/4" x 6" stainless steel tailpiece, rubber washer and brass locknut.**

**Stainless Steel Commercial Lavatory Drain**

- Polished stainless steel 19 hole drain body inlet
- 1-1/4" x 9" 304 17 gauge stainless steel tailpiece
- Overflow in drain body
- Rubber washers
- Brass locknut
- Fits 1-1/2" drain openings in sink
- Non-domestic manufacturer



**Part Number 1176**

**PASCO is the only manufacturer of an all stainless steel unit**

**INDUSTRY EQUALS**

FISHER	1780
JACLO	J-808
KOHLER	K-7726
KEENEY	5681PC
MCGUIRE	155A
ZURN	Z8743-6-PC
DEARBORN	760-1
AMSTAN	2411.015
BRASS CRAFT	0701