



PASCO Specialty & Mfg., Inc.

11156 Wright Road
Lynwood, CA 90262
Phone (310) 537-7782
Fax (800) 737-2726

7529 Perryman Court
Curtis Bay, MD 21226
Phone (410) 360-5010
Fax (877) 377-6466

www.pascospecialty.com

TECHNICAL SPECIFICATION SUBMITTAL

Medium Duty - Wall Mount - 4" Centers

Job Name _____ Date _____

Model Specified _____ Quantity _____

Customer/Wholesaler _____

Contractor _____

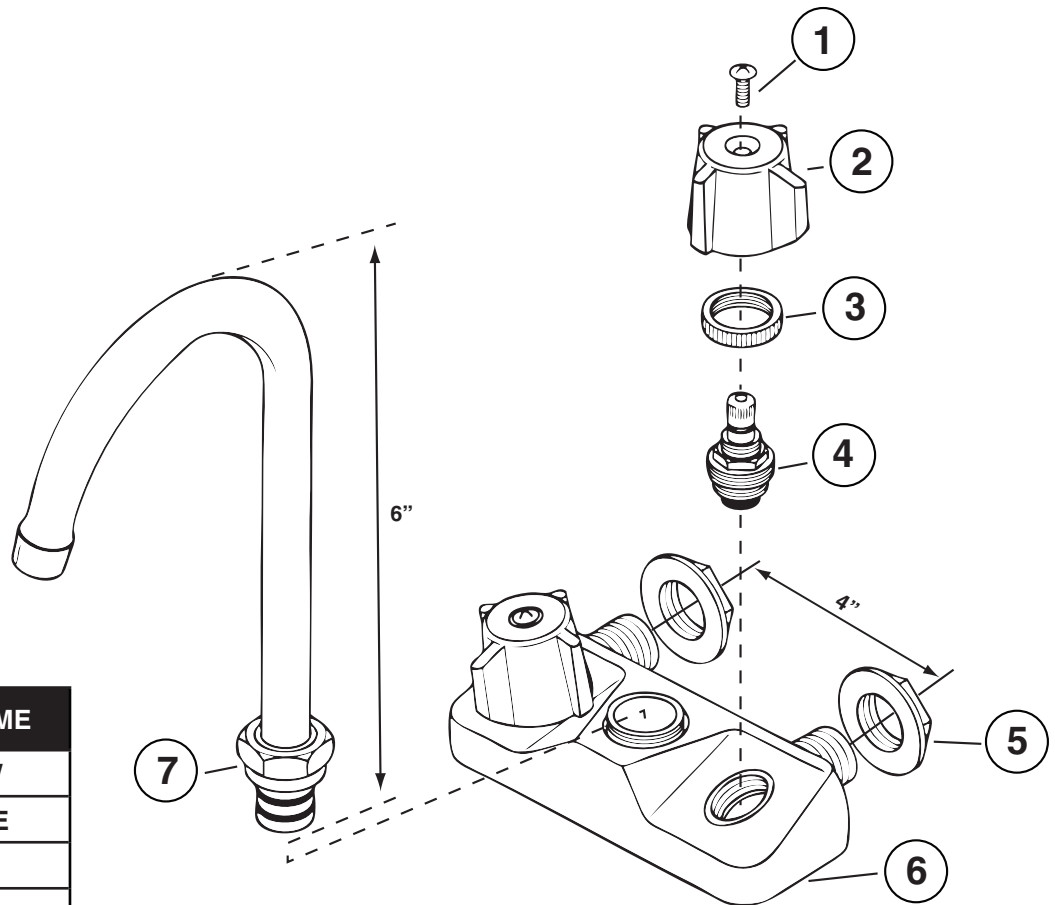
Architect/Engineer _____

Engineering Specification: Commercial Faucet Medium Duty - Wall Mount - 4" Centers

Part Number 33161 6" Gooseneck

- Chrome plated brass
- 1/2" FPT inlets
- Satin finished brass water ways
- 55/64" Female water saver aerator
- Twin Seal chrome plated brass tubular swing spout

**330 Series Stems
33160 - Set of Handles**



NO.	PART NAME
1	SCREW
2	HANDLE
3	NUT
4	STEM
5	COUPLING NUT
6	HOUSING
7	SPOUT