



PASCO Specialty & Mfg., Inc.

11156 Wright Road
Lynwood, CA 90262
Phone (310) 537-7782
Fax (800) 737-2726

7529 Perryman Court
Curtis Bay, MD 21226
Phone (410) 360-5010
Fax (877) 377-6466

www.pascospecialty.com

TECHNICAL SPECIFICATION SUBMITTAL

Stainless steel basket sink strainer for domestic and commercial sinks.

Job Name _____ Date _____

Model Specified _____ Quantity _____

Customer/Wholesaler _____

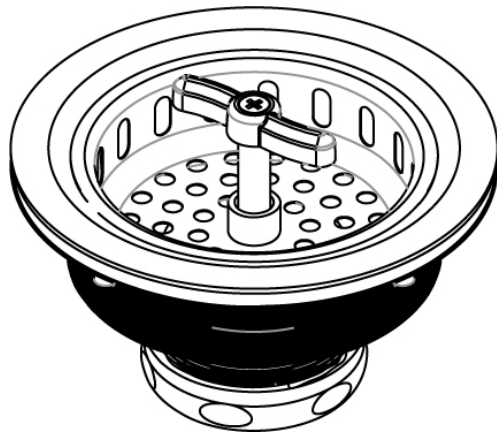
Contractor _____

Architect/Engineer _____

Engineering Specification: Stainless steel sink strainer with spin lock and removable stainless steel strainer.

Spin Lock Basket Strainer

- 3-1/2" to 4" sink drain openings
- Stainless steel screw in basket
- Brass locknut and slip joint nut
- Poly tailpiece washer



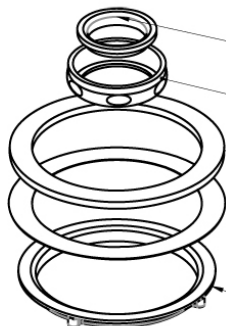
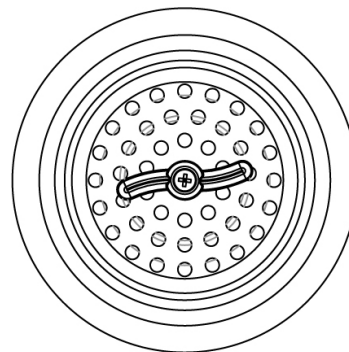
PART NUMBER	CONNECTION
21917	Complete Unit
21923	Basket Only



BASKET STRAINER (SUS430)



BODY STRAINER (SUS430)



- PLASTIC WASHER (PLASTIC)
- COUPLING NUT (BRASS)
- RUBBER WASHER (RUBBER)
- PAPER WASHER (PAPER)
- LOCK NUT (BRASS)

