



PASCO Specialty & Mfg., Inc.

11156 Wright Road
Lynwood, CA 90262
Phone (310) 537-7782
Fax (800) 737-2726

7529 Perryman Court
Curtis Bay, MD 21226
Phone (410) 360-5010
Fax (877) 377-6466

www.pascospecialty.com

TECHNICAL SPECIFICATION SUBMITTAL

Bi-metal spring dial thermometer for use in hot water applications not to exceed 240° wet heat.

Job Name _____ Date _____

Model Specified _____ Quantity _____

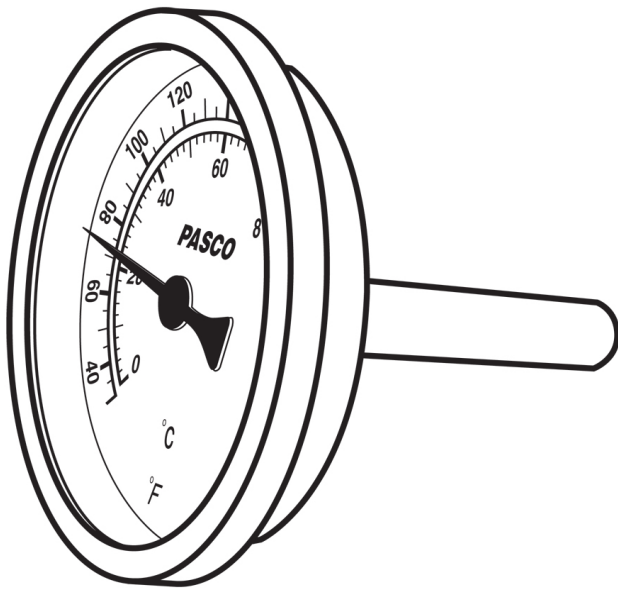
Customer/Wholesaler _____

Contractor _____

Architect/Engineer _____

Engineering Specification: A utility bi-metal spring dial thermometer for use in hydronic heating systems not exceeding 30 PSI and 240°F wet heat.

PASCO DIAL THERMOMETER



- Economical
- Back mount

Dual Scale:

- 40°-250°F, 0,-120°C, Accuracy to 1°
- 5° Increments
- 2-1/2" Face
- Brass wells
- Choice of adapters
- Thermometer can be removed from adapter for easy installation

PART NUMBER	CONNECTION
1449	1/2" MPT
1449-C	WELL ONLY

