



PASCO Specialty & Mfg., Inc.

11156 Wright Road
Lynwood, CA 90262
Phone (310) 537-7782
Fax (800) 737-2726

7529 Perryman Court
Curtis Bay, MD 21226
Phone (410) 360-5010
Fax (877) 377-6466

www.pascospecialty.com

TECHNICAL SPECIFICATION SUBMITTAL

Push button self closing 90 degree urinal flush valve with vacuum breaker.

Job Name _____ Date _____

Model Specified _____ Quantity _____

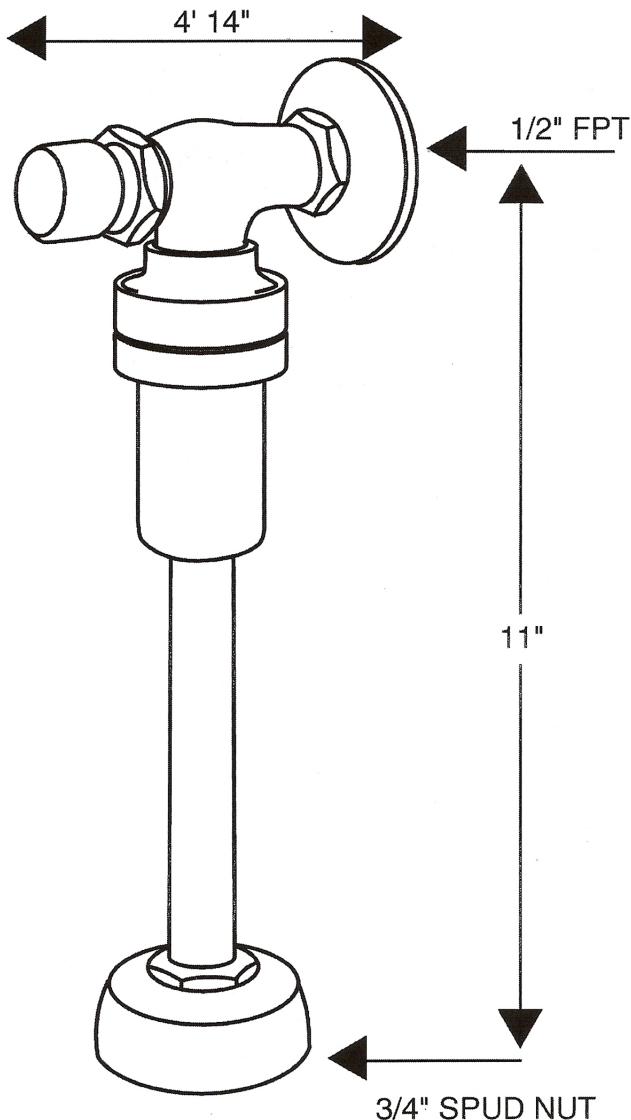
Customer/Wholesaler _____

Contractor _____

Architect/Engineer _____

Engineering Specification: Self-closing chrome plated brass urinal flushvalve with 90 degree inlet and adjustable slow close timing screw.

**PASCO PUSH BUTTON SELF - CLOSING
90 DEGREE FLUSHVALVE
PART #21849**



- Use 1/16" Hex key to adjust slow close timing screw. Adjusts closing time from 3 to 15 seconds
- Chrome plated brass
- 1/2" FPT inlet
- 3/4" OD x 8" CP brass tailpiece
- Chrome plated brass urinal spud Flange with spud nut, washers
- 1/2" IPS wall flange

Assembled in USA with domestic and foreign parts