



PASCO Specialty & Mfg., Inc.

11156 Wright Road
Lynwood, CA 90262
Phone (310) 537-7782
Fax (800) 737-2726

7529 Perryman Court
Curtis Bay, MD 21226
Phone (410) 360-5010
Fax (877) 377-6466

www.pascospecialty.com

TECHNICAL SPECIFICATION SUBMITTAL

Worm gear drive screw hose clamp

Job Name _____ Date _____

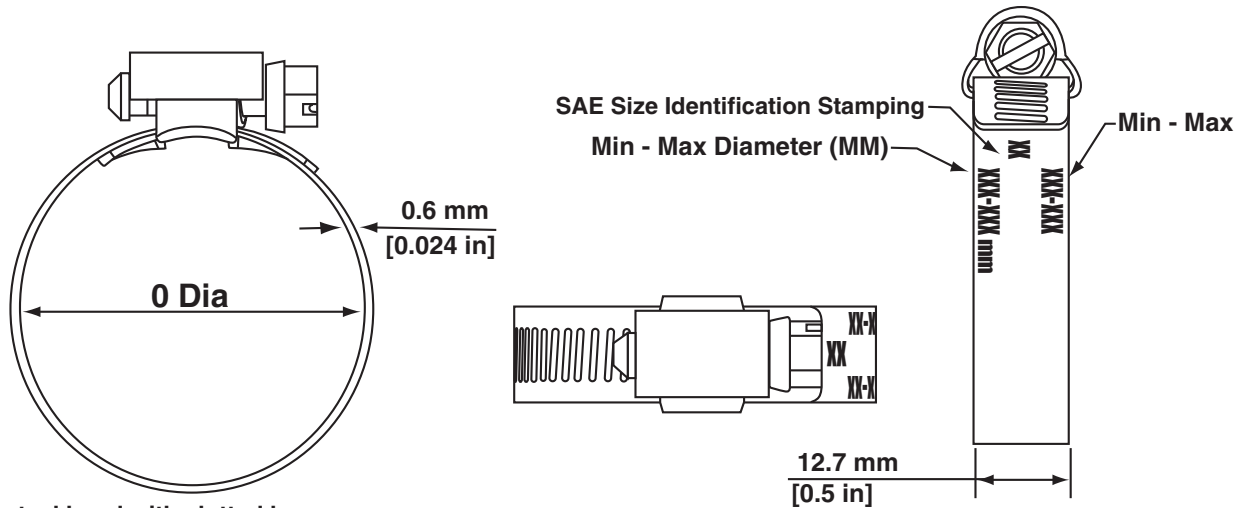
Model Specified _____ Quantity _____

Customer/Wholesaler _____

Contractor _____

Architect/Engineer _____

Engineering Specification: Stainless steel band, hosing, plated steel screw general purpose hose clamps. Not intended for marine or underground applications.



- Stainless steel band with slotted hex screw
- 5/16" hex screw
- Use for standard clamp applications.

PART NUMBER	BEST FITS HOSE ID	MIN DIA (MM)	MAX DIA (MM)
61006	3/8"	7/16" (11)	25/32" (20)
61008	3/8"	1/2" (13)	29/32" (23)
61010	5/8"	9/16" (14)	1-1/16" (27)
61012	3/4"	11/16" (17)	1-1/4" (32)
61016	1"	13/16 (21)	1-1/2" (38)
61020	1-1/4"	13/16" (21)	1-3/4" (44)
61024	1-1/2"	1-1/16" (27)	2" (51)
61028	1-3/4"	1-5/16" (33)	2-1/4" (57)
61032	2"	1-9/16" (40)	2-1/2" (64)
61036	2-1/4"	1-13/16" (46)	2-3/4" (70)
61040	2-1/2"	2-1/16" (52)	3" (76)
61044	2-3/4"	2-5/16" (59)	3-1/4" (83)
61048	3"	2-9/16" (65)	3-1/2" (89)
61052	3-1/4"	2-13/16" (71)	3-3/4" (95)
61056	3-1/2"	3-1/16" (56)	4" (102)
61064	4"	3-9/16" (90)	4-1/2" (114)
61072	4-1/4"	4-1/8" (105)	5" (127)
61080	4-1/2"	4-5/8" (117)	5-1/2" (140)
61088	5"	5-1/8" (133)	6" (152)
61096	5-1/2"	5-5/8" (143)	6-1/2" (165)
610104	6"	6-1/8" (159)	7" (178)