



**PASCO Specialty & Mfg., Inc.**

11156 Wright Road  
Lynwood, CA 90262  
Phone (310) 537-7782  
Fax (800) 737-2726

7529 Perryman Court  
Curtis Bay, MD 21226  
Phone (410) 360-5010  
Fax (877) 377-6466

www.pascospecialty.com

**TECHNICAL SPECIFICATION SUBMITTAL**

Job Name \_\_\_\_\_ Date \_\_\_\_\_

Model Specified \_\_\_\_\_ Quantity \_\_\_\_\_

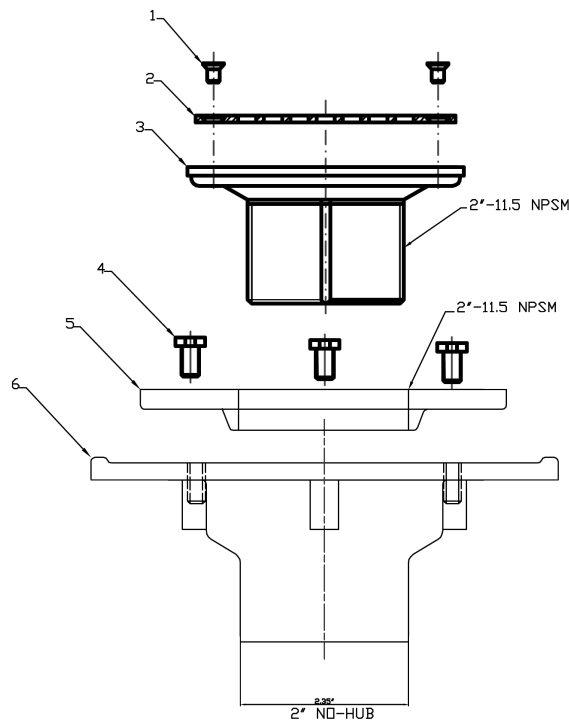
Customer/Wholesaler \_\_\_\_\_

Contractor \_\_\_\_\_

Architect/Engineer \_\_\_\_\_

**Engineering Specification:**

**60205 - PASCO Shower & Floor Drain**



NUMBER	NAME & DESCRIPTION	MATERIAL & FINISH
1	10-32 SCREW X 2	BRASS CHROME PLATED
2	STRAINER	CAST BRASS / CHROME PLATED
3	SPUD	CAST BRASS / CHROME PLATED
4	1/4"-20 UNS BOLT X 4	304# STAINLESS STEEL PLAIN
5	CAST IRON CLAMP	CAST IRON / EPXY PAINTING
6	CAST IRON DRAIN BOTTOM	CAST IRON / EPXY PAINTING