



PASCO Specialty & Mfg., Inc.

11156 Wright Road
Lynwood, CA 90262
Phone (310) 537-7782
Fax (800) 737-2726

7529 Perryman Court
Curtis Bay, MD 21226
Phone (410) 360-5010
Fax (877) 377-6466

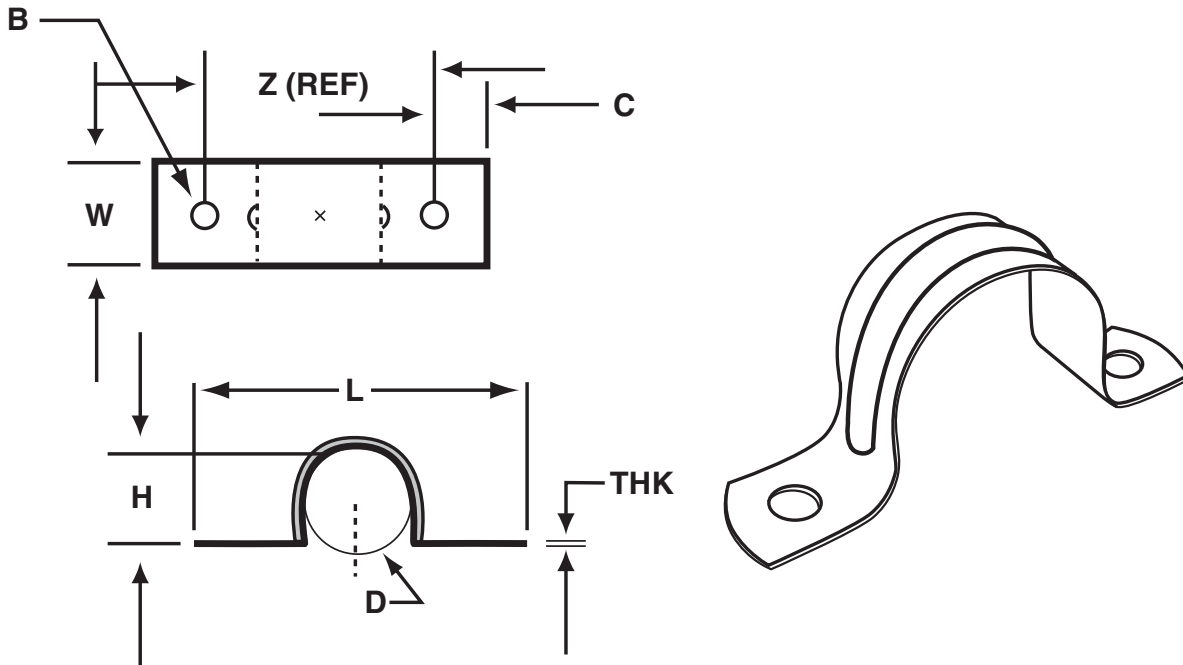
www.pascospecialty.com

TECHNICAL SPECIFICATION SUBMITTAL

Job Name _____ Date _____
 Model Specified _____ Quantity _____
 Customer/Wholesaler _____
 Contractor _____
 Architect/Engineer _____

Engineering Specification: Galvanized pipe strap with 1/4" hex head and self-drilling point. Pipe straps are sold with 1" copper clad nails part #1664.

PASCO Pipe Straps



PART NUMBER	SIZE	D	H	THK	W	L	B	C	Z (REF)
	TOL.	0.06	.03	US GAGE	.12	.25	.032	.06	.06
		-0.02	-.06		-.03	-.12	-.015	-.03	-.06
1614	1/2	0.84	0.84	20GA	0.75	2.62	0.200	0.38	1.80
1615	3/4	1.05	1.05	20GA	0.75	2.75	0.200	0.38	2.06
1616	1	1.31	1.31	18GA	1.00	3.40	0.281	0.38	2.62
1617	1-1/4	1.66	1.66	18GA	1.00	4.25	0.281	0.50	3.25
1618	1-1/2	1.90	1.90	16GA	1.00	4.20	0.281	0.50	3.44
1619	2	2.38	2.38	16GA	1.00	5.06	0.281	0.66	4.21
1620	2-1/2	2.88	2.88	18GA	1.0	6.31	0.340	0.75	4.88
1621	3	4.50	4.50	18GA	1.00	8.38	0.340	0.75	7.12
1622	4	4.50	4.50	18GA	1.00	8.38	0.340	0.75	7.12