



**PASCO Specialty & Mfg., Inc.**

11156 Wright Road  
Lynwood, CA 90262  
Phone (310) 537-7782  
Fax (800) 737-2726

7529 Perryman Court  
Curtis Bay, MD 21226  
Phone (410) 360-5010  
Fax (877) 377-6466

www.pascospecialty.com

**TECHNICAL SPECIFICATION SUBMITTAL**

Quarter handle turn commercial single lavatory faucet

Job Name \_\_\_\_\_ Date \_\_\_\_\_

Model Specified \_\_\_\_\_ Quantity \_\_\_\_\_

Customer/Wholesaler \_\_\_\_\_

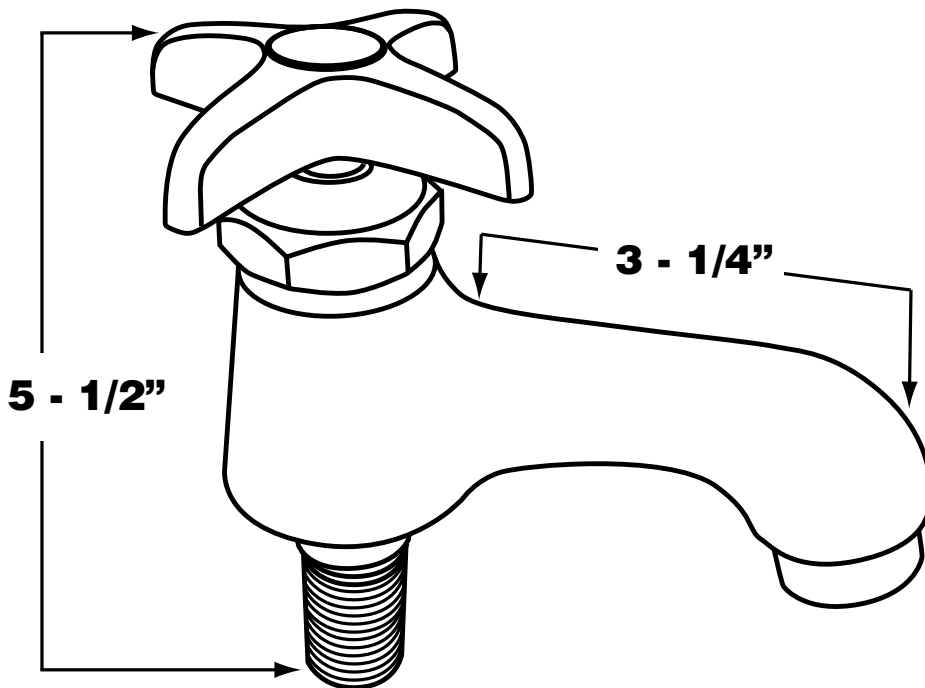
Contractor \_\_\_\_\_

Architect/Engineer \_\_\_\_\_

**Engineering Specification: Chrome plated brass quarter handle turn single lavatory faucet for schools, recreation, institutional or commercial installations.**

**Quarter Handle Turn Single Lav Faucet**

- Chrome plated brass body
- 1/2" x 2" threaded shank with 1/2" locknut
- Low flow aerator
- 3-1/4" spout
- Supplied with locknut and rosette



**Part Numbers**

**21805 with hot handle**

**21806 with cold handle**