



**PASCO Specialty & Mfg., Inc.**

11156 Wright Road  
Lynwood, CA 90262  
Phone (310) 537-7782  
Fax (800) 737-2726

7529 Perryman Court  
Curtis Bay, MD 21226  
Phone (410) 360-5010  
Fax (877) 377-6466

www.pascospecialty.com

**TECHNICAL SPECIFICATION SUBMITTAL**

Flexible saddle inlet fitting for sewer line

Job Name \_\_\_\_\_ Date \_\_\_\_\_

Model Specified \_\_\_\_\_ Quantity \_\_\_\_\_

Customer/Wholesaler \_\_\_\_\_

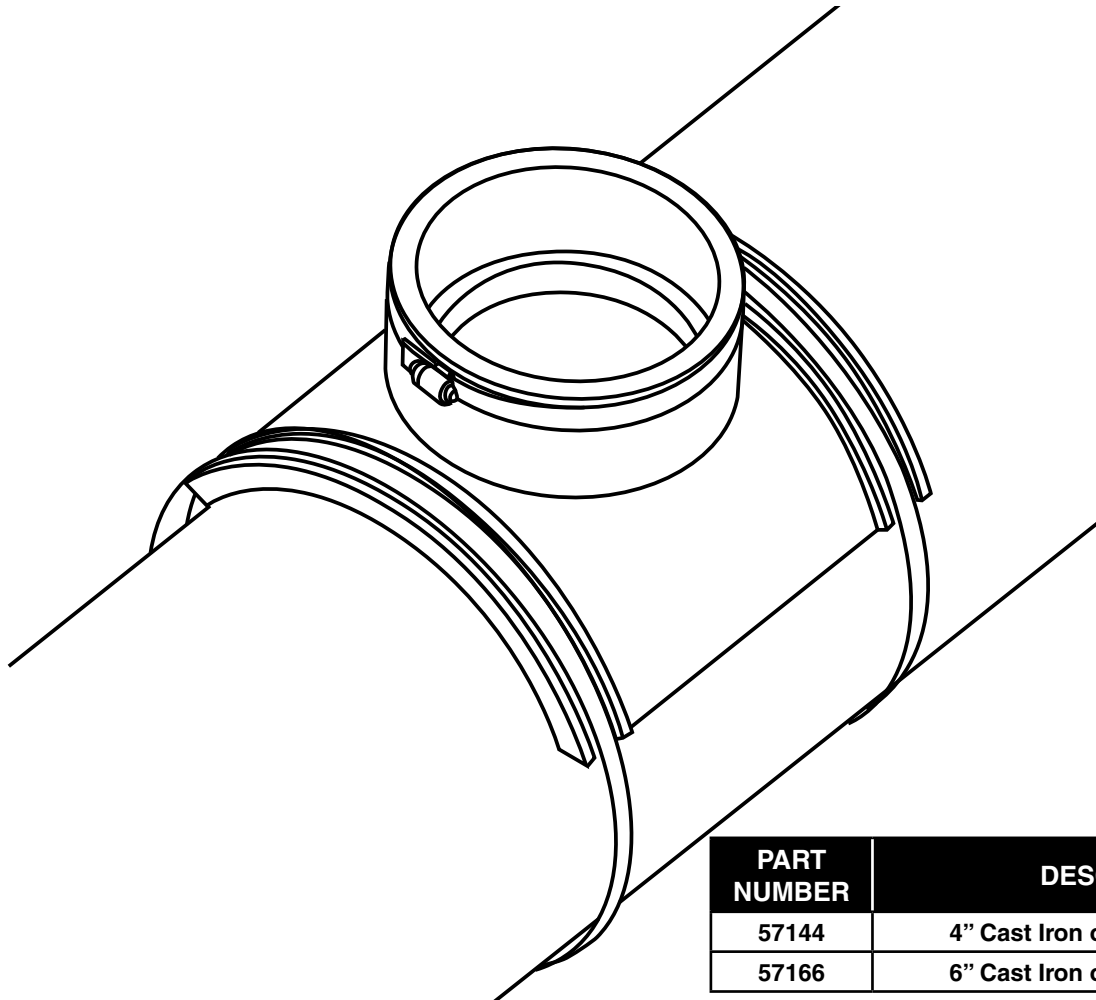
Contractor \_\_\_\_\_

Architect/Engineer \_\_\_\_\_

Engineering Specification: Elastomeric sewer inlet saddle tee for 6" and above sewer main pipe diameters of 6" and above.

**Flexible Sewer Main Line Inlet Tee**

- 4" or 6" inlet
- Elastomeric neoprene construction
- Inlet range from SCH40 down to SDR-35 includes standard weight soil pipe
- 300 series stainless steel clamps
- Steel reinforced edges prevents distortion when torque is applied to clamps.
- Complies ASTM:  
D543 - D412 - D2240 - D471 - D573 - D476-D624



PART NUMBER	DESCRIPTION
57144	4" Cast Iron or Plastic Inlet - Tee
57166	6" Cast Iron or Plastic Inlet - Tee