



PASCO Specialty & Mfg., Inc.

11156 Wright Road
Lynwood, CA 90262
Phone (310) 537-7782
Fax (800) 737-2726

7529 Perryman Court
Curtis Bay, MD 21226
Phone (410) 360-5010
Fax (877) 377-6466

www.pascospecialty.com

TECHNICAL SPECIFICATION SUBMITTAL

Commercial or institutional grid style lavatory drain with offset tail piece allows clearance for wheel bound people

Job Name _____ Date _____

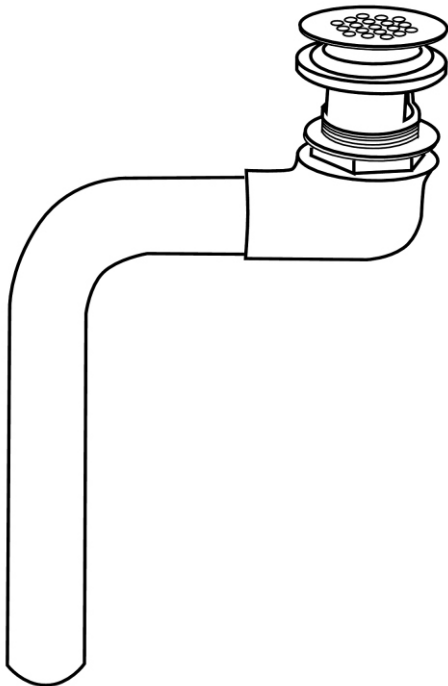
Model Specified _____ Quantity _____

Customer/Wholesaler _____

Contractor _____

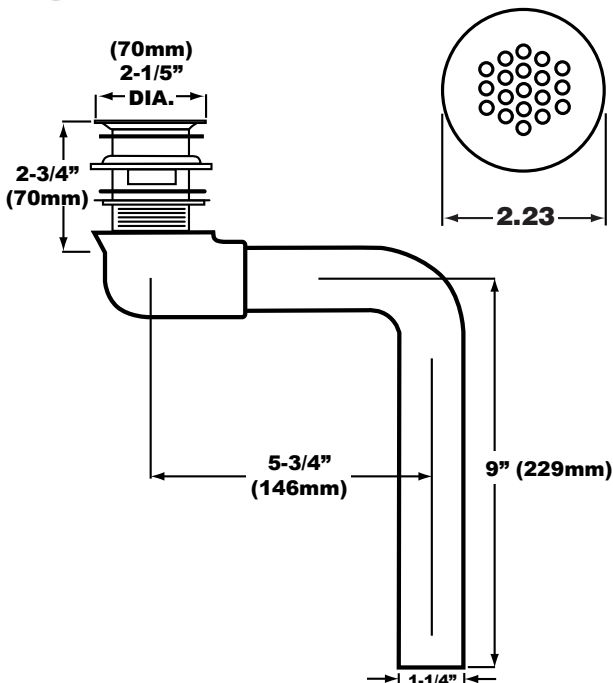
Architect/Engineer _____

Engineering Specification: Commercial or institutional grid style lavatory drain with 1-1/4" x 9" x 5-3/4" offset chrome plated brass tailpiece, rubber washers and brass locknut.



**Chrome Plated Brass Commercial Lavatory Drain
Offset for Wheelchair Clearance**

- Polished chrome plated brass 19 hole drain body inlet
- 1-1/4" x 9" offset 5-3/4" chrome plated brass 17GA tailpiece
- Overflow in drain body
- Rubber washers
- Brass locknut
- Fits 1-1/2" sink drain openings
- Non-domestic manufacturer



Part Number 1177-TP

INDUSTRY EQUALS

BRASS CRAFT	0702
McGUIRE	155WC
KEENEY	5700PC
DEARBORN	760W
KOHLER	K13885
AMSTAN	7723.018
ELJER	803-0530

