



PASCO Specialty & Mfg., Inc.

11156 Wright Road
Lynwood, CA 90262
Phone (310) 537-7782
Fax (800) 737-2726

7529 Perryman Court
Curtis Bay, MD 21226
Phone (410) 360-5010
Fax (877) 377-6466

www.pascospecialty.com

TECHNICAL SPECIFICATION SUBMITTAL

Lift handle nickel plated brass waste drain for stainless steel commercial sinks with a 3-1/2" drain opening.

Job Name _____ Date _____

Model Specified _____ Quantity _____

Customer/Wholesaler _____

Contractor _____

Architect/Engineer _____

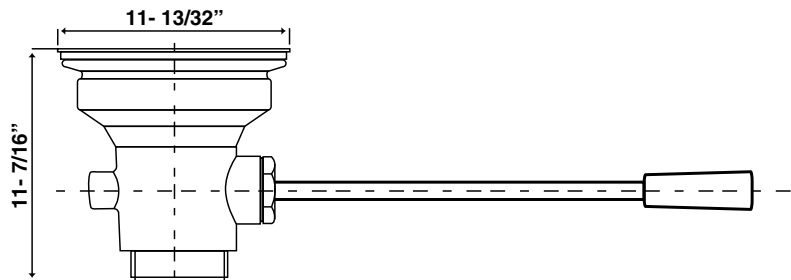
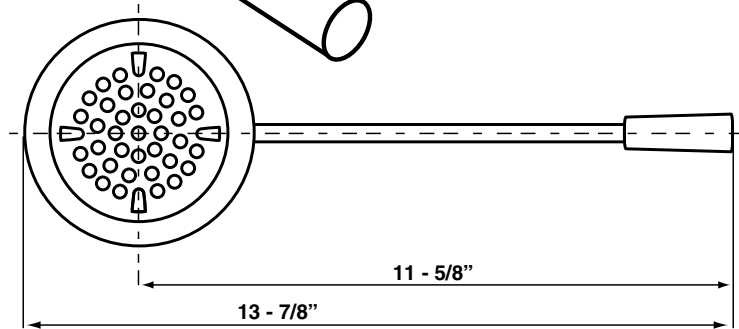
Engineering Specification: Lift handle waste drain for either an 1-1/2" or 2" drain opening.



- Fits 3-1/2" sink drain openings
- Nickel plated brass body
- 1-1/2" or 2" drain connection
- Removable snap-in stainless steel strainer
- Unrestricted water flow allows for fast emptying
- Non-domestic manufacture

LEVER HANDLE DRAIN

PART NUMBER	SINK OPENING	DRAIN CONNECTION
33122	3-1/2"	1-1/2"
33123	3-1/2"	2"



INDUSTRY EQUALS

T & S B-3960
KROWNE 22-301 / 22-304