



**PASCO Specialty & Mfg., Inc.**

11156 Wright Road  
Lynwood, CA 90262  
Phone (310) 537-7782  
Fax (800) 737-2726

7529 Perryman Court  
Curtis Bay, MD 21226  
Phone (410) 360-5010  
Fax (877) 377-6466

www.pascospecialty.com

**TECHNICAL SPECIFICATION SUBMITTAL**

Add-a-shower to convert bath tub to personal shower

Job Name \_\_\_\_\_ Date \_\_\_\_\_

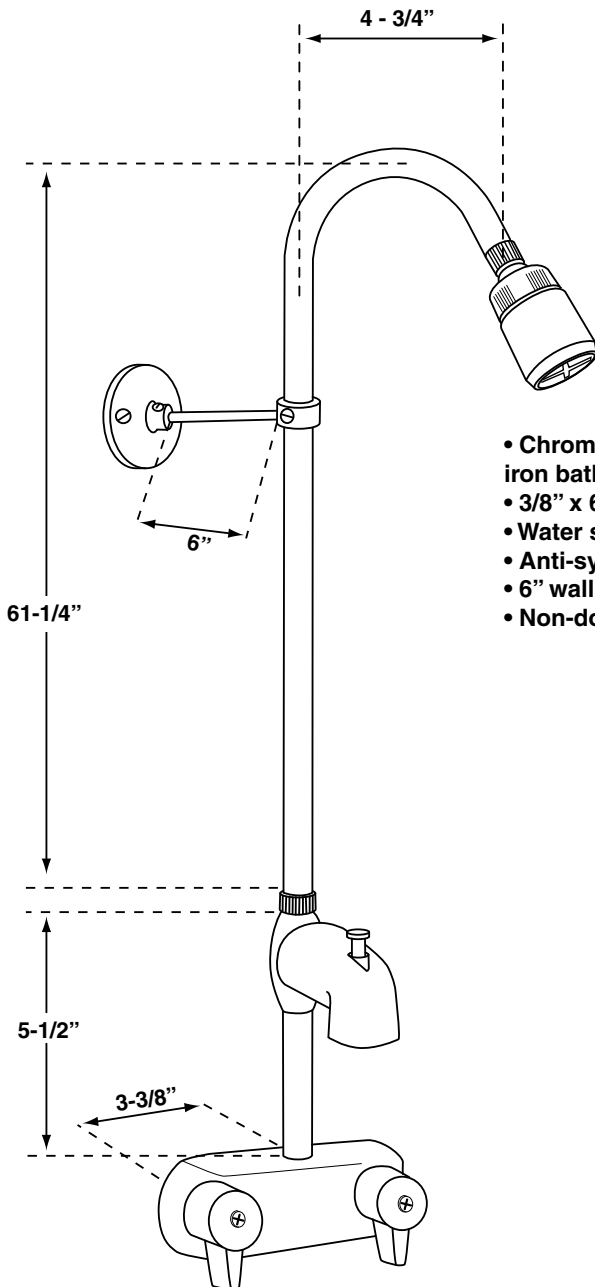
Model Specified \_\_\_\_\_ Quantity \_\_\_\_\_

Customer/Wholesaler \_\_\_\_\_

Contractor \_\_\_\_\_

Architect/Engineer \_\_\_\_\_

**Engineering Specification: Shower unit complete with anti-syphon bath cock to convert bathtub installations to personal showers. For home or apartment conversions.**



**Add-A-Shower with Bath Cock**

- Chrome plated brass bath cock with 3 - 3/8" center inlets for old style cast iron bath tub
- 3/8" x 61" chrome plated brass supply riser
- Water saving shower head
- Anti-syphon style tub spout
- 6" wall bracket with flange
- Non-domestic manufacture

**Part Number 2827**