



PASCO Specialty & Mfg., Inc.

11156 Wright Road
Lynwood, CA 90262
Phone (310) 537-7782
Fax (800) 737-2726

7529 Perryman Court
Curtis Bay, MD 21226
Phone (410) 360-5010
Fax (877) 377-6466

www.pascospecialty.com

TECHNICAL SPECIFICATION SUBMITTAL

Chrome plated brass self-closing water valve

Job Name _____ Date _____

Model Specified _____ Quantity _____

Customer/Wholesaler _____

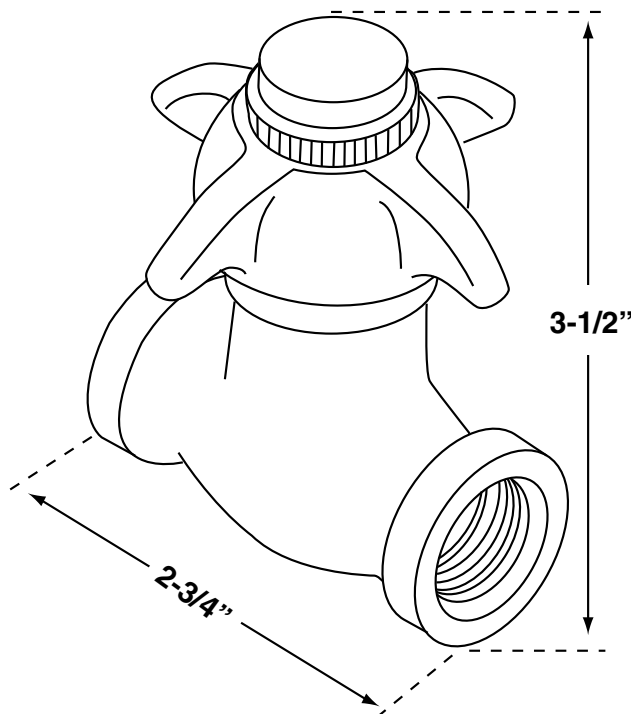
Contractor _____

Architect/Engineer _____

Engineering Specification: Chrome plated brass self-closing utility style valve for wall hung urinals, urinal troughs, recreational outdoor showers.

Self-Closing Utility Water Valve

- Straight flow through
- 1/2" FPT inlet and outlet
- Cannot have a metered flow
- Spring handle must be held in on position upon release of handle, valve shuts off



Part Number 2192