



PASCO Specialty & Mfg., Inc.

11156 Wright Road
Lynwood, CA 90262
Phone (310) 537-7782
Fax (800) 737-2726

7529 Perryman Court
Curtis Bay, MD 21226
Phone (410) 360-5010
Fax (877) 377-6466

www.pascospecialty.com

TECHNICAL SPECIFICATION SUBMITTAL

adjustable metered push button single lavatory faucet

Job Name _____ Date _____

Model Specified _____ Quantity _____

Customer/Wholesaler _____

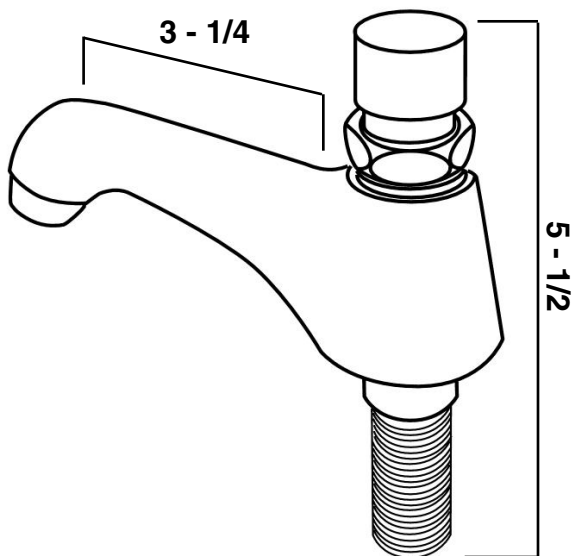
Contractor _____

Architect/Engineer _____

Engineering Specification: Chrome plated brass adjustable flow single lavatory faucet for schools, recreation, institutional or commercial installations.

Self-Closing Metering Single Lav Faucet

- ADA compliant push button
- Water flow rate adjustable from 3 to 15 seconds
- Chrome plated brass body
- 1/2" x 2" threaded shank with 1/2" locknut
- Low flow aerator
- 3 - 1/4" spout
- Supplied with locknut and rosette
- For cold water installations



Part Number 21800

INDUSTRY EQUALS

CHICAGO	333-SLDE
T&S BRASS	B-07212
SUMMONS	S-71