



PASCO Specialty & Mfg., Inc.

11156 Wright Road
Lynwood, CA 90262
Phone (310) 537-7782
Fax (800) 737-2726

7529 Perryman Court
Curtis Bay, MD 21226
Phone (410) 360-5010
Fax (877) 377-6466

www.pascospecialty.com

TECHNICAL SPECIFICATION SUBMITTAL

Angle urinal metering valve with vacuum breaker

Job Name _____ Date _____

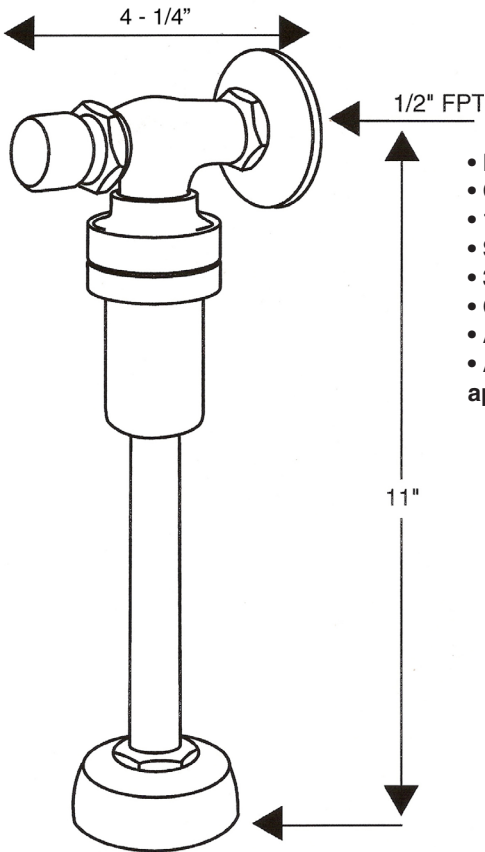
Model Specified _____ Quantity _____

Customer/Wholesaler _____

Contractor _____

Architect/Engineer _____

Engineering Specification: Chrome plated brass angle urinal metering valve with vacuum breaker for wall hung urinals.



**Chrome Plated Brass Angle Urinal Metering Valve
with vacuum breaker**

- Round push button handle indexed "Push"
- Closing time is adjustable from 3 to 15 seconds.
- 1/2" FPT Inlet
- Slip fit wall flange
- 3/4" OD x 9 7/8" vacuum breaker tailpiece
- Chrome plated brass urinal spud escutcheon spud nut and rubber washer
- Assembled in USA with domestic and foreign parts
- Atmospheric vacuum breaker not to be used for continuous pressure applications

Part Number 21849

INDUSTRY EQUALS

CHICAGO FAUCET	732-VBCP
DELTA	86T500
MANSFIELD	190-D