



PASCO Specialty & Mfg., Inc.

11156 Wright Road
Lynwood, CA 90262
Phone (310) 537-7782
Fax (800) 737-2726

7529 Perryman Court
Curtis Bay, MD 21226
Phone (410) 360-5010
Fax (877) 377-6466

www.pascospecialty.com

TECHNICAL SPECIFICATION SUBMITTAL

Flexible polyvinyl chloride (PVC) sheeting for water proofing ceramic tile showers.

Job Name _____ Date _____

Model Specified _____ Quantity _____

Customer/Wholesaler _____

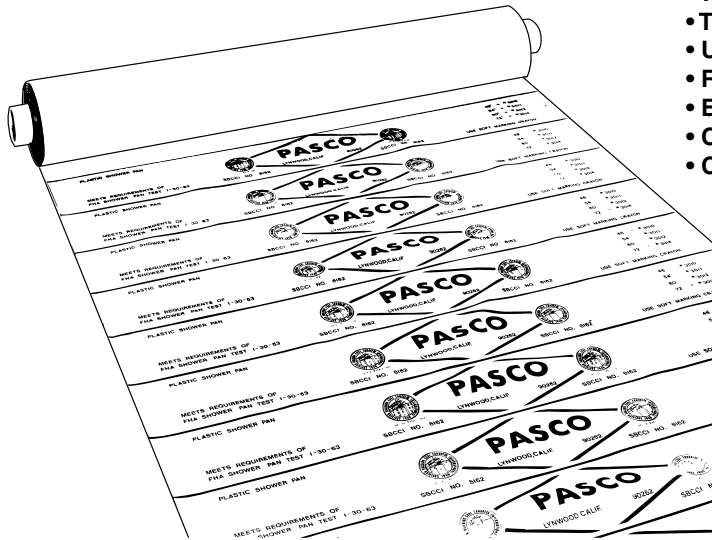
Contractor _____

Architect/Engineer _____

Engineering Specification: Flexible polyvinyl chloride (PVC) sheeting to use to water proof ceramic tile shower stalls in residential, institutional or commercial installations.

Flexible Vinyl Shower Pan Liner

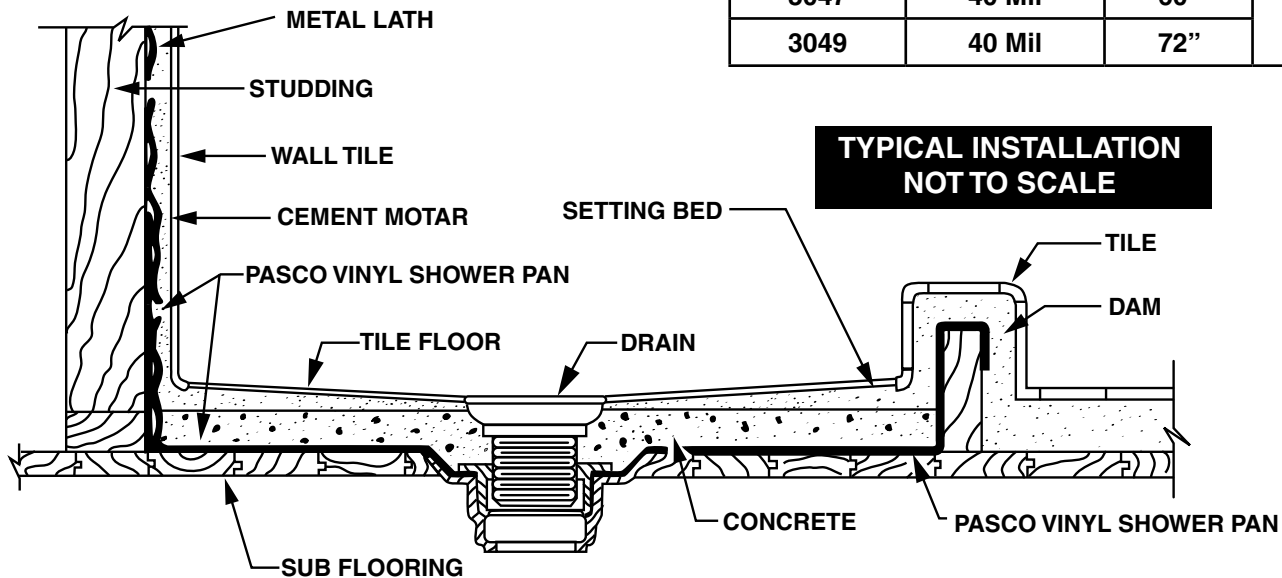
- Two thicknesses 30mil or 40mil
- Three widths 48" - 60" - 72" - 80" rolls (approx)
- Unaffected by mold, mildew or fungus
- Remains flexible even during low temperature installations
- Easily installed with no waiting period before testing
- Can be solvent welded to joint sections for large areas
- Complete installation instructions are available on the website



Complies with:

- ASTM D-4551
- IAPMO File 2308 - 30 and 40 mil

PART NUMBER	THICKNESS	WIDTH	APPROX. LENGTH
3018	30 Mil	60"	80 FT
3020	30 Mil	72"	
3045	40 Mil	48"	
3047	40 Mil	60"	
3049	40 Mil	72"	



TYPICAL INSTALLATION NOT TO SCALE