

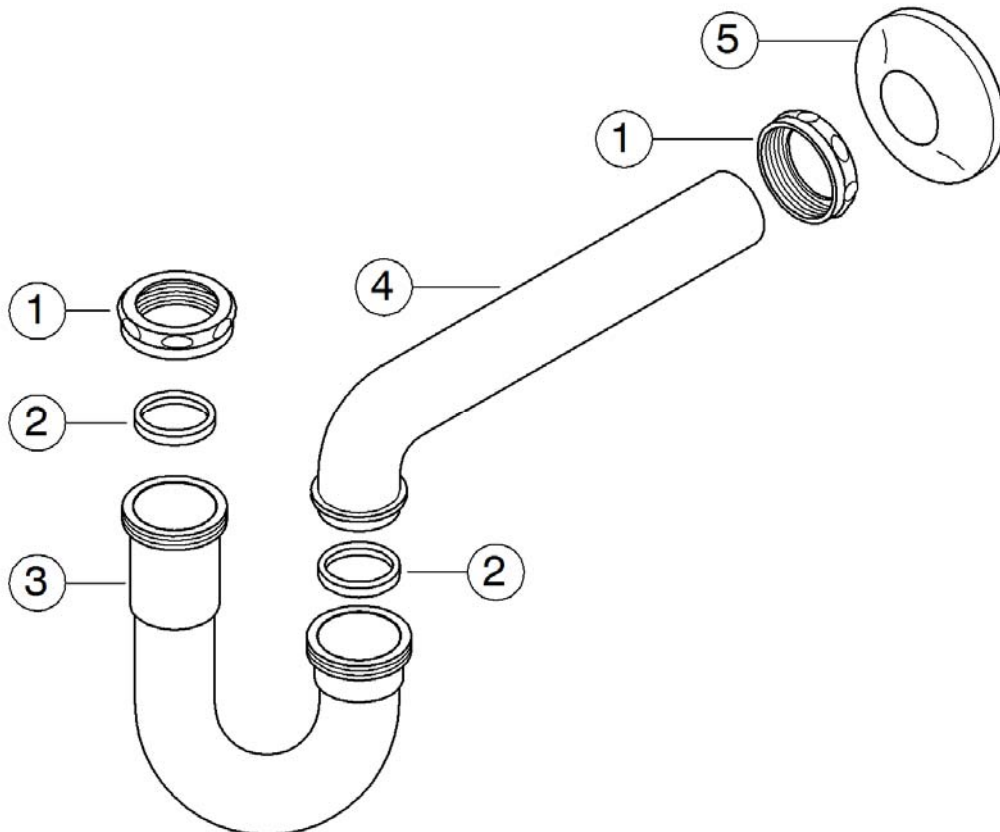


PASCO SPECIALTY & MFG., INC.

**MODEL NO.** 37106

**PRODUCT NAME** 1-1/4" Stainless steel P-trap, less cleanout

ITEM	PART NO.	PART NAME	Q'TY	REMARK
1		Brass slip joint nut, chrome plated	2	
2		EPDM rubber gasket	2	
3		Stainless 304 main tube, J-bend 1-1/4"	1	
4		Stainless 304 main tube, wall bend 1-1/4"	1	
5		Stainless 304 flange, 1-1/4"	1	



PASCO Specialty & Mfg., Inc.  
11156 Wright Road  
Lynwood, CA 90262

7529 Perryman Court Unit 1  
Curtis Bay, MD 21226

[pascospecialty.com](http://pascospecialty.com)



PASCO SPECIALTY & MFG., INC.

## Specifications

### MODEL NO.

**37106**

### DESCRIPTION

- 1-1/4" Stainless steel P-trap, less cleanout

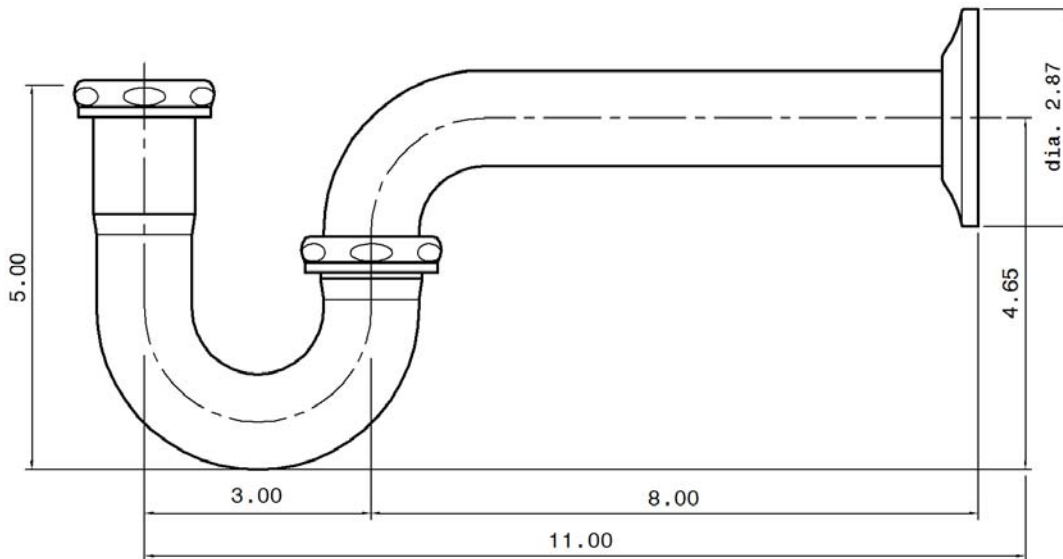
### SPECIFICATION

- 1-1/4" stainless steel ( 304 ) J-bend
- 1-1/4" stainless steel ( 304 ) wall bend
- Brass slip joint nuts, chrome plated
- EPDM rubber gaskets

### PRODUCT STANDARD

- 

### DIMENSIONS ( inch )



PASCO Specialty & Mfg., Inc.  
11156 Wright Road  
Lynwood, CA 90262

[pascospecialty.com](http://pascospecialty.com)

7529 Perryman Court Unit 1  
Curtis Bay, MD 21226