


Flexible Plumbertool

Original Manufacturer • Made in U.S.A.

Side Grease Cutters




PART NUMBER	CABLE	SIZE
PTF21	3/8" & 1/2"	1"
PTF22	3/8" & 1/2"	1-1/8"
PTF23	3/8" & 1/2"	1-3/8"
PTF24	3/8" & 1/2"	1-5/8"
PTF25	3/8" & 1/2"	1-3/4"
PGTF42*	5/8" & 3/4"	2"

*with adapter

Drop Head


For 3/8" and 1/2" Cables



PART NUMBER	DESC.
MGSD1	Small
MGSD2	Heavy Duty

Serrated Cutter

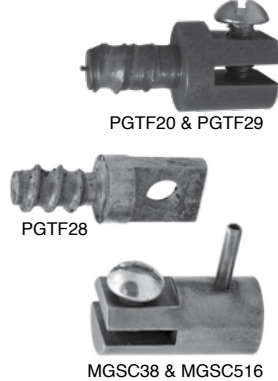
For 3/8", 1/2", 5/8", and 3/4" Cables



PART NUMBER	SIZE
SPT3	2- 3/8"
SPT3G*	1-3/4"
SPT4	2-3/4"

*fits General


Couplings & Connectors



PART NUMBER	DESC.
PGTF20	3/4" Female End Coupling
PGTF28	1/2" Male End Coupling
PGTF29	1/2" Female End Coupling
MGSC38	3/8" Female End Connector
MGSC516	5/16" Female End Connector

Blade-Tool Adapter

Standard
For 3/8", 1/2", 5/8", and 3/4" Cables




PART NUMBER
MGSMBF
MGSMBFG*

*fits General

10" Retriever

For 3/8" and 1/2" Cables



PART NUMBER
PGTF67