



2" Quick Set Shower Drain

For Fiberglass Shower Stalls

- Internal locknut and gasket for 2" DWV
- Brass body and locknut
- Stainless steel strainer




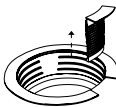

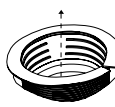


PART NUMBER	PIPE SIZE
7980	2"

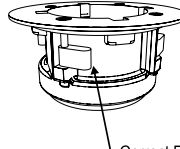
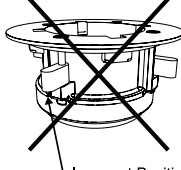
WingTite Shower Drain

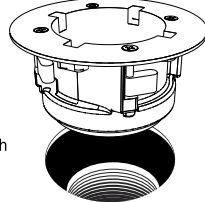
- Use in fiberglass or plastic showers
- Clear visual instructions to remove the old drain
- Shower tear-out eliminated
- Fits 2" ABS & PVC Pipe
- Most repairs done in less than 30 minutes
- Allows one-person shower installations
- Drain installs AFTER shower stall is set

Removal of Drain Body

- With hacksaw, make two vertical cuts approximately 1" apart through drain body. Cut completely through drain body without cutting into shower pan or scoring pipe riser. 
- Continue cutting horizontally through drain flange to weaken it, but not deep enough to damage pan. 
- Once horizontal flange is cut, use flat blade screwdriver to pry on 1" flange to break free from shower pan. 
- Remove 1" width of the drain from pan. 
- Squeeze the shower drain to collapse it, this allows the retaining nut below shower base to drop. Nut stays below. 
- Remove shower drain from pan. Clean shower surface around drain hole, **above and below** the pan to insure proper seal and unrestricted wing movement. 

WingTite Installation

- 


Correct Position Incorrect Position
- The four fastening wings must be against drain body at time of insertion into shower pan.
- 

Insert drain into shower pan and press evenly over 2" drain pipe. Once drain has made contact with shower pan, hold firmly in place. Inspect pipe riser to ensure full contact with O-ring seal.



PART NUMBER
SD1000