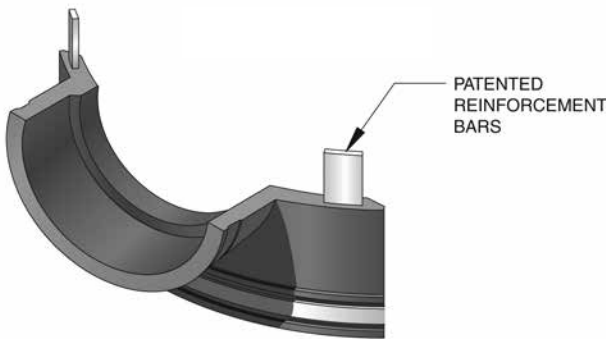




Flexible Sewer Saddles

The saddle's elastomeric construction allows a single description to securely fit 6" sewer main pipe diameters and up. The saddle's flexibility eliminates the need for a large inventory of rigid PVC saddles of various descriptions.

Available for all 4" or 6" Plastic or Cast Iron drain pipe inlets in Tee or Wye configurations



A breakthrough in saddle design, the patented Flexible Saddle demonstrates superior flexibility in more than one way.

- Two configurations, a "Tee" and a "Wye" are available in 4" or 6" inlet descriptions.
- Elastomeric construction provides maximum strength and flexibility.
- Saddle design will accommodate polyethylene pipe used in slip lining sewer systems.
- Inlet range from SCH-40 down to SDR-35 includes standard weight soil pipe.
- Includes special "slip-lock" clamps of 300 series stainless steel.
- Steel reinforced edges prevent distortion when torque is applied to clamps.
- Durable design and low unit price make the Flexible Saddle economical and environmentally wise.

One Flexible Sewer Saddle will fit ALL 6" and larger sewer mains.

PART NUMBER	DESCRIPTION
57144	4" Cast Iron or Plastic Inlet - Tee
57166	6" Cast Iron or Plastic Inlet - Tee
57244	4" Cast Iron or Plastic Inlet - Wye
57266	6" Cast Iron or Plastic Inlet - Wye

Sold with stainless steel inlet clamp and two slip-lock stainless steel clamps for up to 15" sewer mains.

4" inlet clamp #60080

6" inlet clamp #60096

15" sewer main clamps #550248