



### Compression Sleeve Puller

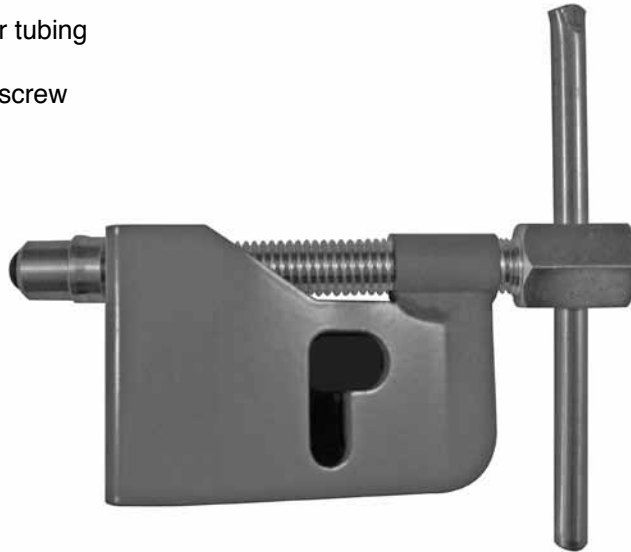
Heavy duty - For 1/2" copper tubing

- Fully machined body and screw
- Designed by plumbing professionals
- Use 3/4" socket

**All New Design!**



shown in use

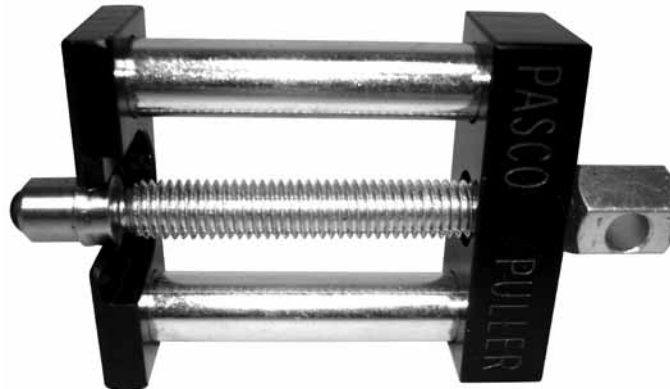


**PART NUMBER**  
4661

### Compression Sleeve Puller

Heavy duty - For 1/2" copper tubing

- Use 3/8" ratchet with 3/4" socket
- Removes compressed brass sleeves
- Precision machined
- Extremely durable
- Designed by plumbing professionals



**PART NUMBER**  
4665

### Compression Sleeve Puller Bullet Nose

Heavy duty - For 1/2" copper tubing

- Sleeve puller and handle sold separately
- Includes screw

**New!**



Re-designed bullet nose  
will not pull off

**PART NUMBER**  
4664