



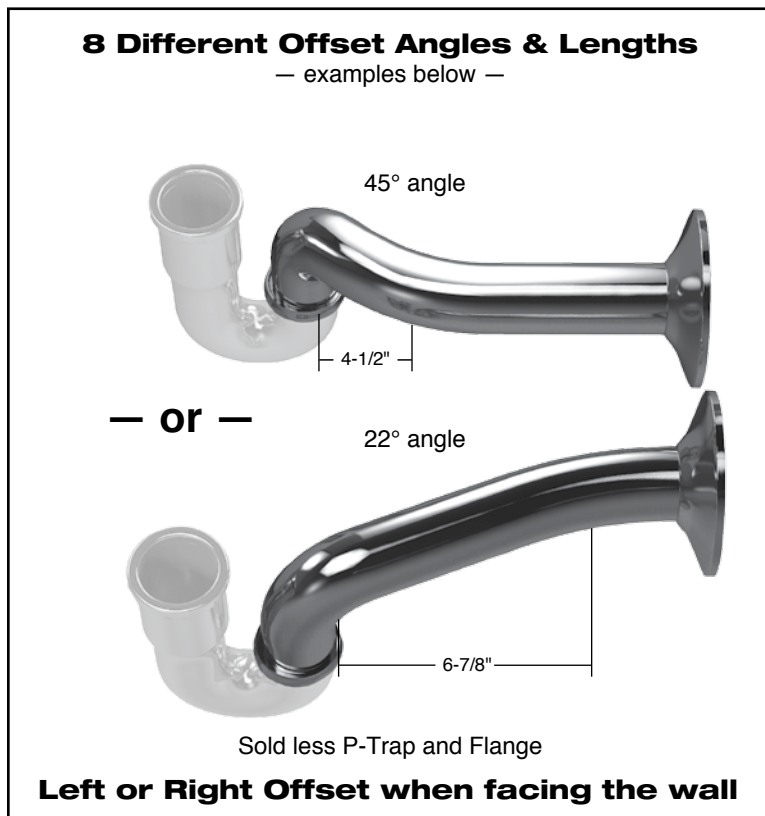
# Introducing: The 1 1/2" "Freedom Arm" Offset Chrome Plated Brass Tubular Wall Bend

The **PASCO** "Freedom Arm" by Innovate Products offers the plumber a simple solution to an age-old plumbing remodeling puzzle.

As a plumber replaces an old sink with a new sink, the new configuration of the sink drain opening, trap and wall bend may not align with the existing waste tee in the wall. The common and past practices of breaking into the wall to move the waste tee, or even soldering unsightly pieces of copper together to achieve the proper degree of offset for the wall bend, are now just that... PAST.

The 8 different offset designs of the "Freedom Arm" will, for the most part, eliminate the frustrating and time consuming practices mentioned above. The "Freedom Arm" was designed by a plumber for the plumber.

The eight models of the "Freedom Arm" cover left or right offsets (as the plumber faces the wall), 22 or 45 degrees of offset and either a short or long version of the straight run of the wall bend, which allows for the difference in the distance between sink trap and the wall.



## Features:

- 17 Gauge CP Bass
- Supplied with CP Brass SJ Nut and Square Cut Rubber Washer
- Sold without P-Trap and Flange
- Individually Bagged with ID Card Indicating Offset and Degree of Offset
- Professionally Designed for a Professionally Finished Installation

**8 Sizes & Offsets**  
— listed on the following page —