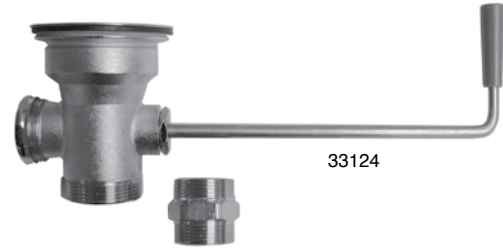
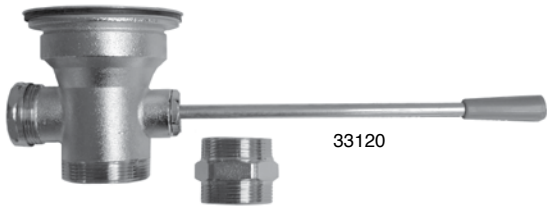




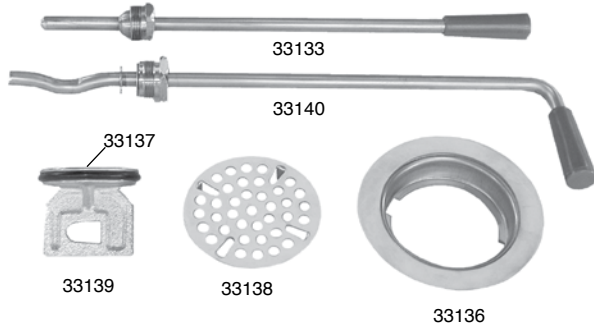
## Combo Lever & Twist Commercial Sink Drain for 3" Sink Openings



- Supplied with tailpiece for either 2" or 1-1/2" drain outlet
- Supplied with an overflow outlet
- A blind cap is also supplied if overflow is not used

PART NUMBER	SINK OPENING	HANDLE
33120	3"	Lever
33124	3"	Twist

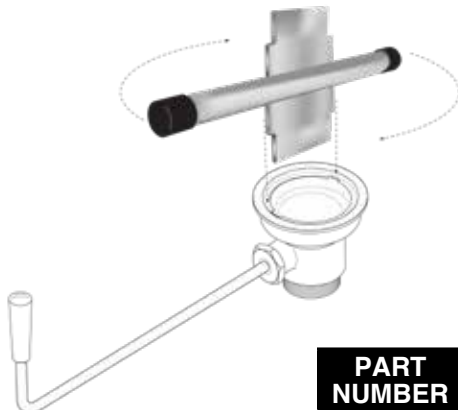
Handles and strainer are stainless steel. Drain body and stopper are nickel plated brass



PART NUMBER	DESCRIPTION
33133	Lever Handle
33136	3-1/2" Strainer Flange
33137	O-Ring for Stopper
33138	3-1/2" Strainer
33139	Stopper with O-Ring
33140	Twist Handle
33143	2" x 1-1/2" Slip Joint Drain Reducer Bushing*

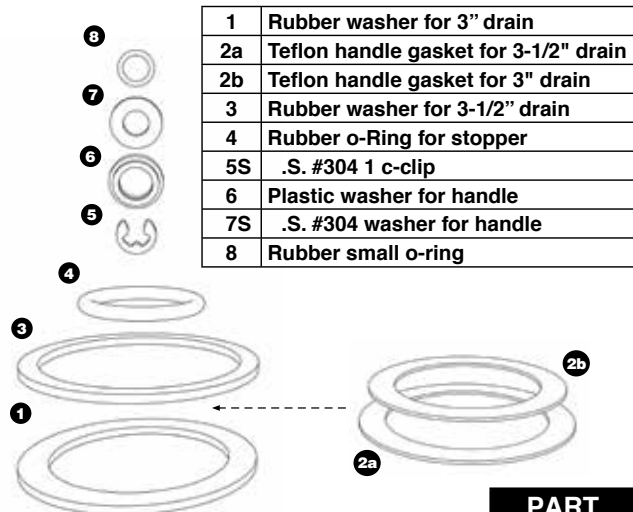
## Commercial Sink Drain Tool

- Removes Lever & Twist Drains
- Fits 3" & 3-1/2" drains
- Constructed from 304 stainless steel
- Drain Sold Separately



**PART NUMBER**  
7093

## Twist Lever Drain Washer Repair Kit



1	Rubber washer for 3" drain
2a	Teflon handle gasket for 3-1/2" drain
2b	Teflon handle gasket for 3" drain
3	Rubber washer for 3-1/2" drain
4	Rubber o-Ring for stopper
5S	.S. #304 1 c-clip
6	Plastic washer for handle
7S	.S. #304 washer for handle
8	Rubber small o-ring

**PART NUMBER**  
33150