



ProSeal Flex Couplings

New!

Stainless Steel Shielded Transition Couplings designed for resistance to shear forces as well as corrosion.

PASCO's ProSeal Flex Couplings allow the plumber to make a wide variety of transition pipe connections. ProSeal Flex Couplings connect cast iron, plastic, copper, steel and tubular DWV systems.



- Meet ASTM C1460 and CSA B602.
- All 300 Series Stainless Steel Band and Clamp.
- Neoprene ASTM C564 gasket material.
- Clamp joined to shield with rivets, not welds.

58-CP Series

Cast Iron to Plastic, Steel or Extra-Heavy Cast Iron

PART NUMBER	CAST IRON, PLASTIC, STEEL	CAST IRON, PLASTIC, STEEL, XHCI	FERNCO PART NO.
58150CP	1-1/2"	1-1/2"	3000-150
58215CP	2"	1-1/2"	3000-215
58200CP	2"	2"	3000-22
5833CP	3"	3"	3000-33
5843CP	4"	3"	3000-43
5844CP	4"	4"	3000-44
5855CP	5"	5"	3000-55
5866CP	6"	6"	3000-66
5888CP	8"	8"	3000-88

58-CK Series

Cast Iron, Plastic or Steel to Copper

PART NUMBER	CAST IRON, PLASTIC, STEEL	COPPER	FERNCO PART NO.
58110CK	1-1/2"	1"	3001-110
581125CK	1-1/2"	1-1/4"	3001-1125
58115CK	1-1/2"	1-1/2"	3001-150
582125CK	2"	1-1/4"	3001-2125
58215CK	2"	1-1/2"	3001-215
5822CK	2"	2"	3001-22
58315CK	3"	1-1/2"	3001-315
5832CK	3"	2"	3001-32
5833CK	3"	3"	3001-33
5843CK	4"	3"	3001-43
5844CK	4"	4"	3001-44



New!



58-KC Series

Copper to Cast Iron, Plastic, Steel

PART NO.	COPPER	CI, PL, ST	FERNCO PART NO.
58215KC	2"	1-1/2"	3006-215
5832KC	3"	2"	3006-32
5843KC	4"	3"	3006-43

58-T Series

Cast Iron, Plastic, Steel to Tubular

PART NO.	CI, PL, ST	TUBULAR	FERNCO PART NO.
58150T	1-1/2"	1-1/2"	3002-150
58150BWT		1-1/2" to 1-1/2"	3002-155
58215T	2"	1-1/2"	3002-215

58-PK Series

Plastic, Steel or Extra Heavy Cast Iron to Copper

PART NO.	PL, ST, XHCI	COPPER	FERNCO PART NO.
5832PK	3"	2"	3007-32
5833PK	3"	3"	3007-33
5843PK	4"	3"	3007-43
5844PK	4"	4"	3007-44

58-K Series

Copper to Copper

PART NO.	COPPER TO COPPER	FERNCO PART NO.
58150K	1-1/2" 1-1/2"*	3003-150
58215K	2" 1-1/2"	3003-215
58200K	2" 2"	3003-22
58300K	3" 3"	3003-33

* 1-1/4" Plastic also

58-PC Series

Plastic, Steel or Extra Heavy Cast Iron to Cast Iron, Plastic, Steel

PART NO.	PL, ST, XHCI	CI, PL, ST	FERNCO PART NO.
5832PC	3"	2"	3008-32

58-C Series

Cast Iron to Cast Iron, Plastic or Steel

PART NO.	CI	CI, PL, ST	FERNCO PART NO.
58320C	3"	2"	3004-320
58420C	4"	2"	3004-420
58430C	4"	3"	3004-430
58540C	5"	4"	3004-540

58-TWP Series

Thinwall Plastic to SCH 40 Plastic

PART NO.	TWP	SCH 40	FERNCO PART NO.
5833TWP	3"	3"	3009-33
5844TWP	4"	4"	3009-44

58-P Series

Plastic, Steel, Extra Heavy Cast Iron to Plastic, Steel, Extra Heavy Cast Iron

PART NO.	PL, ST, XHCI	PL, ST, XHCI	FERNCO PART NO.
58300P	3"	3"	3005-33
58430P	4"	3"	3005-43
58400P	4"	4"	3005-44
58600P	6"	6"	3005-66

58-KT Series

Copper to Tubular

PART NO.	COPPER	TUBULAR	FERNCO PART NO.
58150KT	1-1/2"	1-1/2"	3010-150
58215KT	2"	1-1/2"	3010-215



Stainless Steel Shear Rings

Add extra strength to just about any size **PASCO 56 Series Flex Coupling***

PASCO's Stainless Steel Shear Rings are easy to attach and help maintain proper alignment of the **PASCO 56 Series Flex Coupling** in buried installations. For use with cast iron and plastic pipe.

*Part numbers 5615 to 561818



- Minimum Thickness .018"
- Clamps attached to Shear Ring
- 300 Series Stainless Steel Clamps and Sleeves.
- Made in USA.
- Designed to fit **PASCO 56 Series Couplings.***
- Stock for use with regular flex coupling inventory.



PART NUMBER	FITS PASCO FLEX COUPLING	LENGTH	WIDTH	CLAMP SIZE
SR9	5615 - 1-1/2"	9"	1-1/2"	32
SR11	5622 - 2"	11"	1-1/2"	40
SR15	5633 - 3"	15"	2"	64
SR19	5644 - 4"	19"	2"	80
SR22	5655 - 5"	22"	2"	96
SR25	5666 - 6"	25"	4"	116
SR33	5688 - 8"	33"	4"	152
SR39	561010 - 10"	39"	4"	188
SR46	561212 - 12"	46"	4"	212
SR54L	561515L - 15"	54"	11"	260
SR63L	561818L - 18"	63"	11"	312
SR54S	561515S - 15"	54"	6-1/2"	260
SR63S	561818S - 18"	63"	6-1/2"	312

Also fits Fernco 1056, Mission Rubber MR56, Dallas Specialty DS56, NDS DFW56, Indiana Seal 156, Pipeconex PCX56 Flex Couplings.

Lynwood, CA 90262
(310) 537-7782
fax (800) 737-2726

Curtis Bay, MD 21226
(410) 360-5010
fax (877) 377-6466

www.pascospecialty.com

New!

PASCO

56 Series Flex Couplings with Stainless Steel Shear Rings

PASCO's 56 Series Flex Couplings with Stainless Steel Shear Rings resist heavy earth loads, shear forces and coupling deterioration caused by environmental effects.

For use with cast iron and plastic pipe.



- Repair existing pipe.
- Flex Couplings comply with:
 - ASTM C1173-2002
 - IAPMO 4933
 - CSA B602-2005
- 300 Series Stainless Steel Clamps and Shear Rings.
- Minimum thickness of Shear Ring is .018".
- For DWV or non-pressure installations.
- Torque to 60 lbs.

PART NUMBER	SIZE
5615SR	1-1/2"
5622SR	2"
5633SR	3"
5644SR	4"
5655SR	5"
5666SR	6"
5688SR	8"

PART NUMBER	SIZE
561010SR	10"
561212SR	12"
561515SRL	15" x 11"
561818SRL	18" x 11"
561515SRS	15" x 6-1/2"
561818SRS	18" x 6-1/2"

**Shear Rings
Made in the USA**

Lynwood, CA 90262
(310) 537-7782
fax (800) 737-2726

www.pascospecialty.com

Curtis Bay, MD 21226
(410) 360-5010
fax (877) 377-6466



Flex Couplings for Clay to Cast Iron or Clay to Clay and Plastic

New!

- 300 Series Stainless Steel Clamps
- Sleeve is molded of natural, synthetic rubber or vinyl
- Flex Couplings comply with:
 - ASTM C1173-2002
 - ASTM D5956
 - CSA B602-2005



Clay to Clay - Straight Through

PART NUMBER	SIZE	CASE QTY.
56144	4"	12
56164*	6" x 4"	12
56166	6"	10
56188	8"	8
5611010	10"	8

* With Flanged Bushing
Made in USA



Transition Style Clay to Cast Iron or Plastic

PART NUMBER	SIZE	CASE QTY.
56244	4"	60
56264	6" x 4"	60
56266	6"	20
56288	8"	8
5621010	10"	8



56 Series Flex Couplings with Stainless Steel Shear Rings and Tough Nut Stainless Steel Clamps

New!

PASCO's 56 Series Flex Couplings with Stainless Steel Shear Rings resist heavy earth loads, shear forces and coupling deterioration caused by environmental effects.

- Nut & Bolt Stainless Steel Clamps
- Repair existing pipe.
- Flex Couplings comply with:
 - ASTM C1173-2002
 - IAPMO 4933
 - CSA B602-2005
- 300 Series Stainless Steel Clamps and Shear Rings.
- Minimum thickness of Shear Ring is .018".
- For DWV or non-pressure installations.
- Torque to 60 lbs.

**For Cast Iron, Plastic or Steel to
 Cast Iron, Plastic or Steel.
 Coupling Complete with Clamps**



PART NUMBER	SIZE
5643PRC	4" x 3"*
5644PRC	4"
5655PRC	5"
5664PRC	6" x 4"*
5666PRC	6"
5688PRC	8"
561010PRC	10"
561212PRC	12"
561515PRCL	15" x 11"†
561818PRCL	18" x 11"†
561515PRCS	15" x 6-1/2"†
561818PRCS	18" x 6-1/2"†

Sizes 4" and 5" - Single Nut
 Sizes 6" and above - Double Nut
 • Straight Through
 † Length

**Shear Rings
 Made in the USA**

**Clay to Clay Couplings
 Made in the USA**

Clay to Clay

PART NUMBER	SIZE
56144PRC	4"
56164PRC	6" x 4"*
56166PRC	6"
56188PRC	8"
5611010PRC	10"

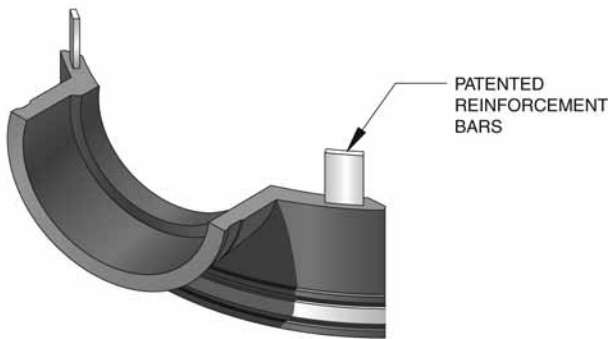
• Straight Through



Flexible Sewer Saddles

The saddle's elastomeric construction allows a single description to securely fit 6" sewer main pipe diameters and up. The saddle's flexibility eliminates the need for a large inventory of rigid PVC saddles of various descriptions.

**Available for all 4" or 6" Plastic or Cast Iron
drain pipe inlets in Tee or Wye configurations**



A breakthrough in saddle design, the patented Flexible Saddle demonstrates superior flexibility in more than one way.

- Two configurations, a "Tee" and a "Wye" are available in 4" or 6" inlet descriptions.
- Elastomeric construction provides maximum strength and flexibility.
- Saddle design will accommodate polyethylene pipe used in slip lining sewer systems.
- Inlet range from SCH-40 down to SDR-35 includes standard weight soil pipe.
- Includes special "slip-lock" clamps of 300 series stainless steel.
- Steel reinforced edges prevent distortion when torque is applied to clamps.
- Durable design and low unit price make the Flexible Saddle economical and environmentally wise.

**One Flexible Sewer Saddle
will fit ALL 6" and larger sewer mains.**

PART NUMBER	DESCRIPTION
57144	4" Cast Iron or Plastic Inlet - Tee
57166	6" Cast Iron or Plastic Inlet - Tee
57244	4" Cast Iron or Plastic Inlet - Wye
57266	6" Cast Iron or Plastic Inlet - Wye

Sold with stainless steel inlet clamp and two slip-lock stainless steel clamps for up to 15" sewer mains.

4" inlet clamp #60080

6" inlet clamp #60096

15" sewer main clamps #550248