



SMART PLUMBING STARTS HERE!

#4760 EZ ROUGH-IN TEST PLUG



- 1/2" MPT x 6"
- O-ring sealed gasket
- Blue poly / nylon
- Reusable
- Money Saver
- Hand Tighten
- Easy Installation / Removal
- Dual Plug and Stub-Out
- Available in 6/24 pk.





PASCO Specialty & Mfg., Inc.

P.O. Box 1667
South Gate, CA 90280
Phone (310) 537-7782
Fax (800) 737-2726

7529 Perryman Court
Curtis Bay, MD 21226
Phone (410) 360-5010
Fax (877) 377-6466

www.pascospecialty.com

TECHNICAL SPECIFICATION SUBMITTAL

Job Name _____ Date _____

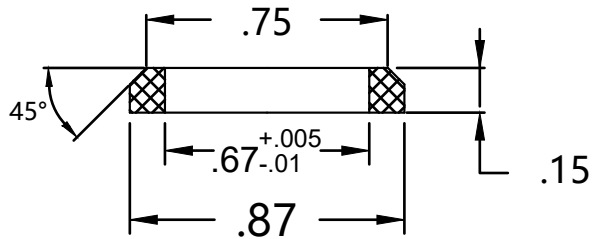
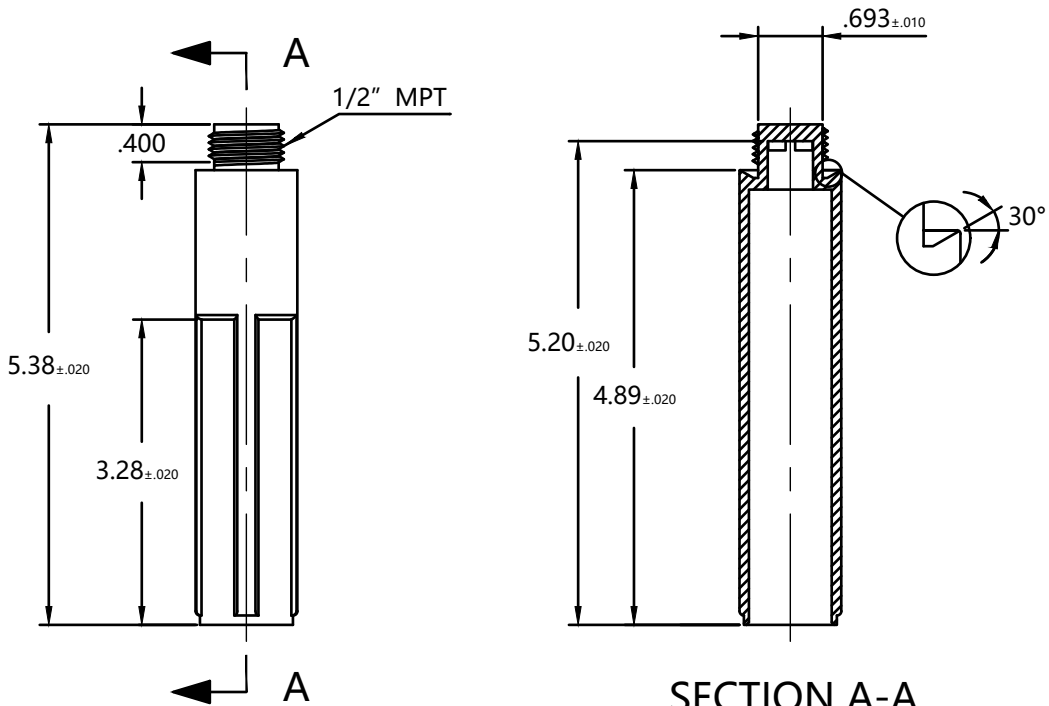
Model Specified _____ Quantity _____

Customer/Wholesaler _____

Contractor _____

Architect/Engineer _____

EZ ROUGH-IN TEST PLUG #4760



Rubber Washer

- Reusable
- Money Saver
- Hand tighten
- Blue nylon poly
- 1/2" MPT
- O-ring sealed gasket
- No thread sealant or tape needed



WARNING: Birth Defects, Reproductive Harm, and Cancer. www.p65warnings.ca.gov.