



**All Stainless Steel
Marine or Underground
Hose Clamps**

5/16" HEX HEAD SCREW

60000 SERIES

- Highly corrosion resistant
- Use for marine or underground applications



IAPMO Listed

PART NUMBER	BEST FITS HOSE ID
60006	3/8"
60008	3/8"
60010	5/8"
60012	3/4"
60016	1"
60020	1-1/4"
60024	1-1/2"
60028	1-3/4"
60032	2"
60036	2-1/4"
60040	2-1/2"
60044	2-3/4"
60048	3"
60052	3-1/4"
60056	3-1/2"
60064	4"
60072	4-1/4"
60080	4-1/2"
60088	5"
60096	5-1/2"
600104	6"
600116	7-1/2"
600128	8-1/2"
600152	9-3/4"
600164	10"
600188	12"
600212	13"

See page J-2 for
max/min diameters

**Stainless Steel Band, Housing
Plated Steel Screw
General Purpose Hose Clamps**

5/16" HEX HEAD SCREW

61000 SERIES

- Use for standard clamp applications
- Stainless steel band with a slotted hex head screw



PART NUMBER	BEST FITS HOSE ID
61006	3/8"
61008	3/8"
61010	5/8"
61012	3/4"
61016	1"
61020	1-1/4"
61024	1-1/2"
61028	1-3/4"
61032	2"
61036	2-1/4"
61040	2-1/2"
61044	2-3/4"
61048	3"
61052	3-1/4"
61056	3-1/2"
61064	4"
61072	4-1/4"
61080	4-1/2"
61088	5"
61096	5-1/2"
610104	6"

See page J-2 for
max/min diameters



Miniature Clamps

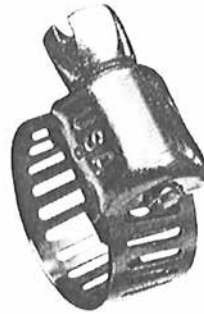
1/4" HEX HEAD SCREW

60M00 SERIES

- Marine grade, 100% stainless steel. Screw - 305 stainless. Band 300 Series stainless. Housing 300 series stainless.

61M00 SERIES

- Plated screw with stainless steel band and housing.



PART NUMBER	BEST FITS HOSE ID
60M04	1/4"
60M05	3/8"
60M06	1/2"
60M08	3/4"
61M04	1/4"
61M06	1/2"

Standard Hose Clamp Diameters

All manufacturers of hose clamps use the last two or three digits of their part number to indicate the size of that clamp. Although published diameter ranges may vary, the last digits remain constant and can be used to determine the size of any hose clamp.

LAST DIG OF #	MINIMUM INCHES	MAXIMUM INCHES
06	7/16"	25/32"
08	1/2"	29/32"
10	9/16"	1-1/16"
12	11/16"	1-1/14"
16	13/16"	1-1/2"
20	13/16"	1-3/4"
24	1-1/16"	2"
28	1-5/16"	2-1/4"
32	1-9/16"	2-1/2"
36	1-13/16"	2-3/4"
40	2-1/6"	3"
44	2-5/16"	3-1/4"
48	2-9/16"	3-1/2"

LAST DIG OF #	MINIMUM INCHES	MAXIMUM INCHES
52	2-13/16"	3-3/4"
56	3-1/16"	4"
64	3-9/16"	4-1/2"
72	1-7/8"	5"
80	2-1/2"	5-1/2"
88	3-1/8"	6"
96	3-5/8"	6-1/2"
104	4-1/4"	7"

MINI HOSE CLAMP DIAMETERS

LAST DIG OF #	MINIMUM INCHES	MAXIMUM INCHES
04-05	1/4"	5/8"
06	5/16"	7/8"

Quick Release

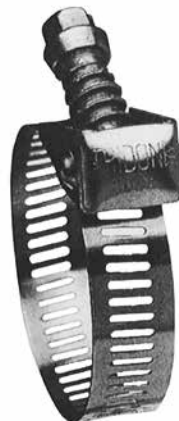
- 5/16" HEX HEAD SCREW

500 SERIES

- Screw - carbon steel, Band 301 series stainless, Housing carbon steel

550 SERIES

- All Stainless Steel
- Screw 410 stainless, Band 301 series stainless, Housing 301 series stainless
- Quick installation and quick replacement of clamp. Ideal for filter bags, etc. All stainless steel style can be used to install DWV saddles.



PART NUMBER	BEST FITS HOSE ID
50056	3-1/2"
50072	4-1/2"
500104	6-3/4"
500128	8-1/2"
500152	9-3/4"
500188	12-1/2"
500216*	13-3/4"
500248*	15-3/4"
550152	9-3/4"
550248*	15-3/4"
550312*	19-3/4"



Red Brass (Bronze) Pipe Fittings

Compliant

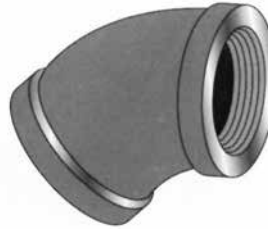
AB 1953

Couplings



PART NUMBER	SIZE
7100	1/8"
7101	1/4"
7102	3/8"
7103	1/2"
7104	3/4"
7105	1"
7106	1-1/4"
7107	1-1/2"
7108	2"

45° Elbows



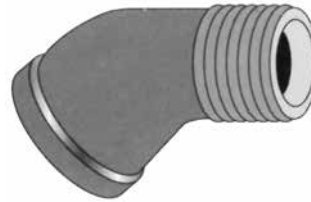
PART NUMBER	SIZE
7175	1/4"
7176	3/8"
7177	1/2"
7178	3/4"
7179	1"
7181	1-1/2"
7182	2"

Reduced Couplings



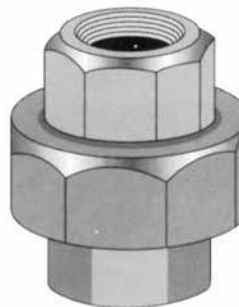
PART NUMBER	SIZE
7118	1/4" x 1/8"
7119	3/8" x 1/4"
7120	3/8" x 1/8"
7123	1/2" x 3/8"
7124	1/2" x 1/4"
7125	1/2" x 1/8"
7126	3/4" x 1/2"
7127	3/4" x 3/8"
7128	3/4" x 1/4"
7129	1" x 3/4"
7130	1 x 1/2"
7134	1-1/4" x 1"
7135	1-1/4" x 3/4"
7138	1-1/2" x 1-1/4"
7139	1-1/2" x 1"
7140	1-1/2" x 3/4"
7141	1-1/2" x 1/2"
7142	2" x 1-1/2"
7143	2" x 1-1/4"
7144	2" x 1"

45° Street Elbows



PART NUMBER	SIZE
7190	1/4"
7192	1/2"
7193	3/4"
7195	1-1/4"
7196	1-1/2"

Unions



PART NUMBER	SIZE
7163	1/4"
7164	3/8"
7165	1/2"
7166	3/4"
7167	1"
7168	1-1/4"
7169	1-1/2"
7170	2"




Red Brass (Bronze) Pipe Fittings

Compliant

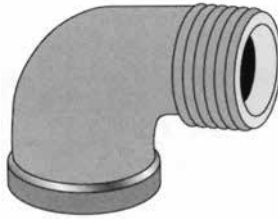
AB 1953

90° Elbows




PART NUMBER	SIZE
7204	1/8"
7205	1/4"
7206	3/8"
7207	1/2"
7208	3/4"
7209	1"
7210	1-1/4"
7211	1-1/2"
7212	2"

90° Street Elbows




PART NUMBER	SIZE
7248	1/4"
7249	3/8"
7250	1/2"
7251	3/4"
7252	1"
7253	1-1/4"
7254	1-1/2"
7255	2"

90° Reducing Elbows



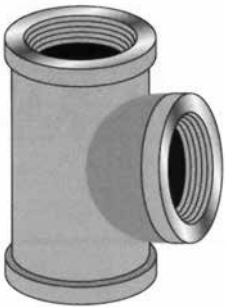
PART NUMBER	SIZE
7221	3/8" x 1/4"
7223	1/2" x 3/8"
7226	3/4" x 1/2"
7228	3/4" x 1/4"
7229	1" x 3/4"

Extension Pieces



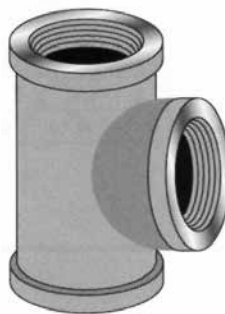
PART NUMBER	SIZE
7527	1/2"
7528	3/4"

Tees



PART NUMBER	SIZE
7259	1/8"
7260	1/4"
7261	3/8"
7262	1/2"
7263	3/4"
7264	1"
7265	1-1/4"
7266	1-1/2"
7267	2"

Reducing Tees



PART NUMBER	SIZE
7292	1/2" x 1/2" x 3/4"
7293	1/2" x 1/2" x 3/8"
7294	1/2" x 1/2" x 1/4"
7303	3/4" x 3/4" x 1/2"
7307	3/4" x 1/2" x 3/4"
7308	3/4" x 1/2" x 1/2"
7315	1" x 1" x 3/4"
7316	1" x 1" x 1/2"
7319	1" x 3/4" x 1"
7329	1-1/4" x 1-1/4" x 3/4"
7343	1-1/2" x 1-1/2" x 1"
7345	1-1/2" x 1-1/2" x 1/2"

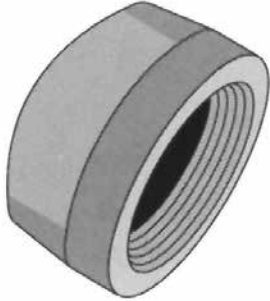


Red Brass (Bronze) Pipe Fittings

Compliant

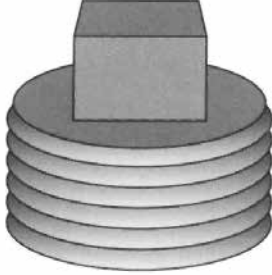
AB 1953

Caps



PART NUMBER	SIZE
7404	1/8"
7405	1/4"
7406	3/8"
7407	1/2"
7408	3/4"
7409	1"
7410	1-1/4"
7411	1-1/2"
7412	2"

Square Head Plugs



PART NUMBER	SIZE
7420	1/8"
7421	1/4"
7422	3/8"
7423	1/2"
7424	3/4"
7425	1"
7426	1-1/4"
7427	1-1/2"
7428	2"

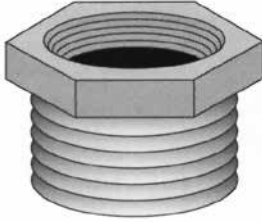
Drop Ear Elbow



1/2" CWT x 1/2" FPT

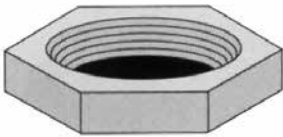
PART NUMBER
7590

Hex Bushings



PART NUMBER	SIZE
7436	1/4" x 1/8"
7437	3/8" x 1/4"
7439	1/2" x 3/8"
7440	1/2" x 1/4"
7441	1/2" x 1/8"
7442	3/4" x 1/2"
7443	3/4" x 3/8"
7444	3/4" x 1/4"
7445	3/4" x 1/8"
7446	1" x 3/4"
7447	1 x 1/2"
7448	1 x 3/8"
7449	1" x 1/4"
7451	1-1/4" x 1"
7452	1-1/4" x 3/4"
7453	1-1/4" x 1/2"
7457	1-1/2" x 1-1/4"
7458	1-1/2" x 1"
7459	1-1/2" x 3/4"
7460	1-1/2" x 1/2"
7464	2" x 1-1/2"
7465	2" x 1-1/4"
7466	2" x 1"
7467	2" x 3/4"
7468	2" x 1/2"
7473	2-1/2" x 1-1/2"

Locknuts



PART NUMBER	SIZE
7564	1/2"
7565	3/4"

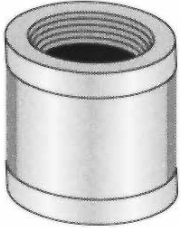


Chrome Plated Red Brass Fittings

Compliant

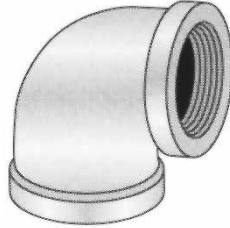
AB 1953

Couplings




PART NUMBER	SIZE
7102-C	3/8"
7103-C	1/2"
7104-C	3/4"
7105-C	1"

90° Elbows



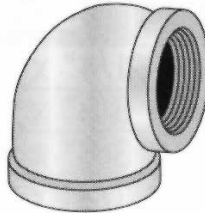
PART NUMBER	SIZE
7206-C	3/8"
7207-C	1/2"
7208-C	3/4"
7209-C	1"

Reducing Couplings



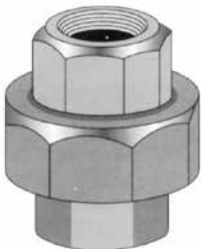
PART NUMBER	SIZE
7123-C	1/2" x 3/8"
7126-C	3/4" x 1/2"

90° Reducing Elbows



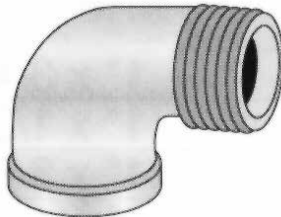
PART NUMBER	SIZE
7223-C	1/2" x 3/8"
7226-C	3/4" x 1/2"

Unions



PART NUMBER	SIZE
7164-C	3/8"
7165-C	1/2"
7166-C	3/4"

90° Street Elbows



PART NUMBER	SIZE
7249-C	3/8"
7250-C	1/2"
7251-C	3/4"
7252-C	1"

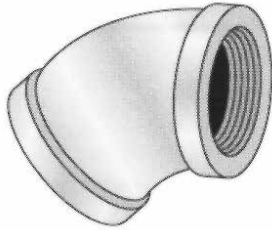


Chrome Plated Red Brass Fittings

Compliant

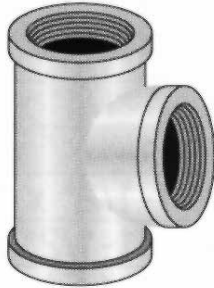
AB 1953

45° Elbows



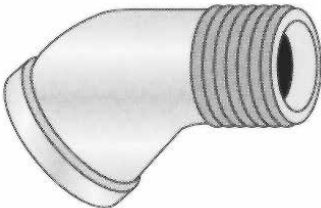
PART NUMBER	SIZE
7176-C	3/8"
7177-C	1/2"
7178-C	3/4"
7179-C	1"

Tees



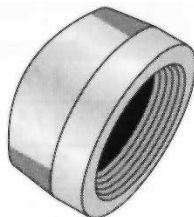
PART NUMBER	SIZE
7261-C	3/8"
7262-C	1/2"
7263-C	3/4"
7266-C	1-1/2"
7267-C	2"

45° Street Elbows



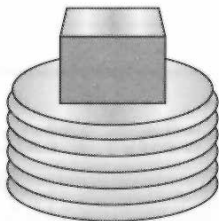
PART NUMBER	SIZE
7192-C	1/2"

Caps



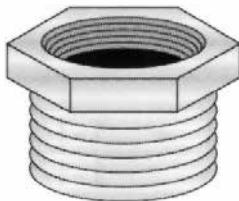
PART NUMBER	SIZE
7406-C	3/8"
7407-C	1/2"
7408-C	3/4"
7409-C	1"

Plugs



PART NUMBER	SIZE
7422-C	3/8"
7423-C	1/2"
7424-C	3/4"

Hex Bushings



PART NUMBER	SIZE
7437-C	3/8" x 1/4"
7439-C	1/2" x 3/8"
7440-C	1/2" x 1/4"
7442-C	3/4" x 1/2"
7446-C	1" x 3/4"



Red Brass Nipples

Compliant

AB 1953

Each nipple is cleaned of burrs and cutting oil and manufactured in accordance with ASTM B-687.



1/8" PART #	LENGTH
7700	CL
7701	1-1/2"
7702	2"
7703	2-1/2"
7704	3"
7705	3-1/2"
7706	4"
7707	4-1/2"

1/4" PART #	LENGTH
7717	CL
7718	1-1/2"
7719	2"
7720	2-1/2"
7721	3"
7722	3-1/2"
7723	4"
7724	4-1/2"
7725	5"
7726	5-1/2"
7727	6"

3/8" PART #	LENGTH
7734	CL
7735	1-1/2"
7736	2"
7737	2-1/2"
7738	3"
7739	3-1/2"
7740	4"
7741	4-1/2"
7742	5"
7743	5-1/2"
7744	6"

1/2" PART #	LENGTH
7751	CL
7752	1-1/2"
7753	2"
7754	2-1/2"
7755	3"
7756	3-1/2"
7757	4"
7758	4-1/2"
7759	5"
7760	5-1/2"
7761	6"
7762	6-1/2"
7763	8"
7765	10"
7767	12"

3/4" PART #	LENGTH
7768	CL
7769	1-1/2"
7770	2"
7771	2-1/2"
7772	3"
7773	3-1/2"
7774	4"
7775	4-1/2"
7776	5"
7777	5-1/2"
7778	6"
7780	8"
7782	10"
7784	12"

1" PART #	LENGTH
7785	CL
7786	2"
7787	2-1/2"
7789	3"
7790	3-1/2"
7791	4"
7792	4-1/2"
7793	5"
7794	5-1/2"
7795	6"
7797	8"
7801	12"

1-1/4" PART #	LENGTH
7802	CL
7803	2"
7804	2-1/2"
7805	3"
7806	3-1/2"
7807	4"
7808	4-1/2"
7809	5"
7810	5-1/2"
7811	6"
7815	10"
7817	12"

1-1/2" PART #	LENGTH
7818	CL
7819	2"
7820	2-1/2"
7821	3"
7822	3-1/2"
7823	4"
7824	4-1/2"
7825	5"
7826	5-1/2"
7827	6"
7829	8"
7831	10"

2" PART #	LENGTH
7834	CL
7836	3"
7837	3-1/2"
7838	4"
7839	4-1/2"
7840	5"
7841	5-1/2"
7842	6"
7844	8"
7846	10"
7848	12"



Chrome Plated Brass Nipples

Compliant

AB 1953



1/4" PART #	LENGTH
7717-C	CL
7719-C	2"
7721-C	3"
7723-C	4"
7724-C	4-1/2"
7725-C	5"
7726-C	5-1/2"
7727-C	6"

3/8" PART #	LENGTH
7734-C	CL
7735-C	1-1/2"
7736-C	2"
7737-C	2-1/2"
7738-C	3"
7739-C	3-1/2"
7740-C	4"
7741-C	4-1/2"
7742-C	5"
7743-C	5-1/2"
7744-C	6"

1/2" PART #	LENGTH
7751-C	CL
7752-C	1-1/2"
7753-C	2"
7754-C	2-1/2"
7755-C	3"
7756-C	3-1/2"
7757-C	4"
7758-C	4-1/2"
7759-C	5"
7760-C	5-1/2"
7761-C	6"
7763-C	8"
7765-C	10"
7767-C	12"

3/4" PART #	LENGTH
7768-C	CL
7769-C	1-1/2"
7770-C	2"
7771-C	2-1/2"
7772-C	3"
7773-C	3-1/2"
7774-C	4"
7775-C	4-1/2"
7776-C	5"
7777-C	5-1/2"
7778-C	6"

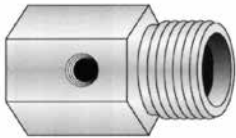
1" PART #	LENGTH
7785-C	CL
7786-C	2"
7787-C	2-1/2"
7789-C	3"
7790-C	3-1/2"
7791-C	4"
7792-C	4-1/2"
7793-C	5"
7794-C	5-1/2"
7795-C	6"

Brass Hose to Pipe Adapters

MHT = Male Hose Threads
MPT = Male Pipe Threads

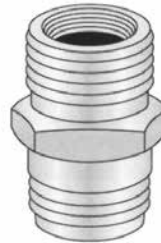
FHT = Female Hose Threads
FPT = Female Pipe Threads

Evaporative Cooler Adapter



PART NUMBER	FPT	MPT	FPT SIDE TAP
7-3098	1/2"	1/2"	1/8"
7-30912	3/4"	3/4"	1/8"

Male Hose - Male Pipe



Tapped 1/2" FPT inside
3/4" MPT.

PART NUMBER	MHT	MPT
2140	3/4"	3/4"

Female Swivel



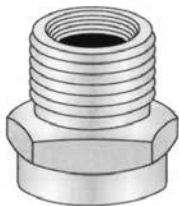
PART NUMBER	FHT SWIVEL	FPT
2141	3/4"	1/2"
2142	3/4"	3/4"
2154	3/4"	1/2" MPT

Female Hose - Female Pipe



PART NUMBER	FHT	FPT
2147	3/4"	1/2"
2148	3/4"	3/4"

Female Hose - Male Pipe



Tapped 1/2" FPT inside
3/4" MPT.

PART NUMBER	FHT	MPT
2150	3/4"	3/4"

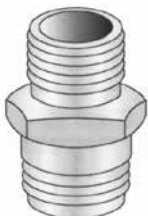
Male Hose (both ends) - Female Pipe



One end tapped 1/2" FPT.

PART NUMBER	MHT	FPT
2151	3/4"	1/2"

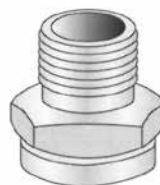
Male Hose - Male Pipe



The 1/2" copper connection is inside
the 1/2" MPT.

PART NUMBER	MHT	MPT	FEMALE COPPER SWEAT
2143	3/4"	1/2"	1/2"

Female Hose - Male Pipe



The 1/2" copper connection is inside
the 1/2" MPT.

PART NUMBER	FHT	MPT	FEMALE COPPER SWEAT
2144	3/4"	1/2"	1/2"

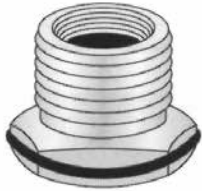


Brass Hose to Pipe Adapters

MHT = Male Hose Threads
MPT = Male Pipe Threads

FHT = Female Hose Threads
FPT = Female Pipe Threads

Evaporative Cooler Drain



With washer and locknut

PART NUMBER	MHT	FPT
2145	3/4"	1/2"

Hose Wye - Female Hose - Male Hose



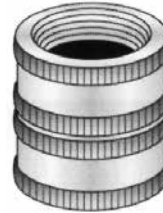
PART NUMBER	MHT	MHT	FHT
2156	3/4"	3/4"	3/4"

Male Hose - Female Pipe



PART NUMBER	MHT	FPT
2146	3/4"	3/4"

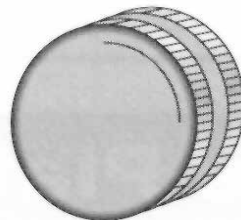
Dual Swivel - Female Hose



PART NUMBER	FHT	FHT
2153	3/4"	3/4"

Hose Cap

Also available with chain*
Supplied with washer



PART NUMBER	FHT
2152	3/4"
2159*	3/4"



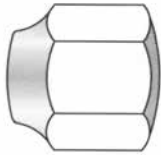
Brass Flare & Compression Fittings

Compliant

AB 1953

40 Series

Flare Nut Caps



PART NUMBER	SIZE
7-404	1/4"

60 Series

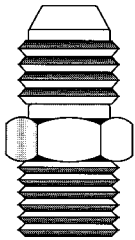
Brass Compression Sleeve



PART NUMBER	SIZE
7-604	1/4"
7-606	3/8"
7-6010	5/8"

48 Series

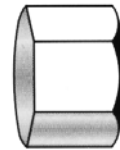
Flare x MIP Coupling



PART NUMBER	SIZE
7-4844	1/4"
7-4868	3/8" x 1/2"
7-4888	1/2" x 1/2"

61-C Series

Compression Cap/Short Compression Nut

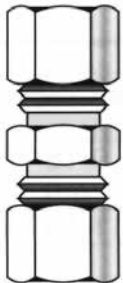


*Short Nut

PART NUMBER	SIZE
7-61C4	1/4"
7-61C6	3/8"
*7-614	1/4"
*7-616	3/8"

62 Series

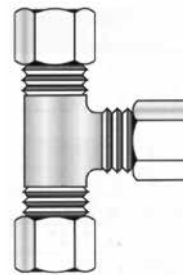
Compression Union



PART NUMBER	SIZE
7-624	1/4"
7-626	3/8"
7-6264	3/8" x 1/4"
7-628	1/2"
7-6286	1/2" X 3/8"
7-6210	5/8"
7-6214	7/8"
7-62106	5/8" X 3/8"

64 Series

Compression Tees



PART NUMBER	SIZE
7-644	1/4"
7-646	3/8"
7-6410	5/8"

Two piece: body and nut.

Straights and shapes are manufactured from CA360, CA345, CA377 brass. 45° flare. Heavy duty flare fittings are manufactured to SAE specifications. Compatible with copper, brass, aluminum and steel hydraulic tubing that can be flared. Used on low, medium and high pressure lines under the most adverse conditions. Fair vibration resistance, The long nut offers greater support. Temperature range from -65° to +250° F.

Three piece unit: body, nut and sleeve.

Straights and shapes are manufactured from CA360, CA345, CA377. Compatible with copper, brass, aluminum and thermoplastic tubing. (Thermoplastic tubing requires the use of a brass insert for support.) Low pressure air, oil, water and gas up to a maximum pressure of 400 psi. Fair vibration resistance. The long nut can be used for greater vibration application.



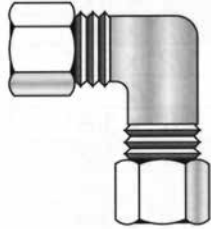
Brass Flare & Compression Fittings

Compliant

AB 1953

65 Series

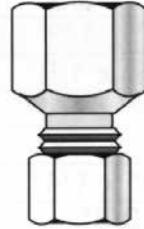
Compression 90° EII



PART NUMBER	SIZE
7-656	3/8"
7-6510	5/8"

66 Series

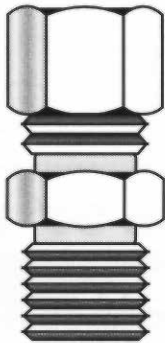
Compression x FIP Coupling



PART NUMBER	SIZE
7-6666	3/8"
7-6668	3/8" x 1/2"
7-6688	1/2"
7-66108	5/8" x 1/2"

68 Series

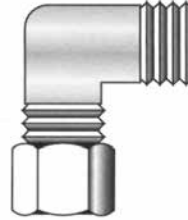
Compression x MIP Coupling



PART NUMBER	SIZE
7-6842	1/4" x 1/8"
7-6844	1/4"
7-6846	1/4" x 3/8"
7-6848	1/4" x 1/2"
7-6864	3/8" x 1/4"
7-6866	3/8"
7-6868	3/8" x 1/2"
7-6888	1/2"
7-68106	5/8" x 3/8"
7-68108	5/8" x 1/2"
7-681012	5/8" x 3/4"
7-681412	7/8" x 3/4"

69 Series

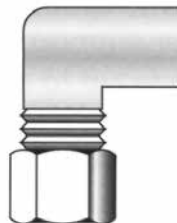
Compression x MIP 90° EII



PART NUMBER	SIZE
7-6964	3/8" x 1/4"
7-6966	3/8"
7-6968	3/8" x 1/2"

70 Series

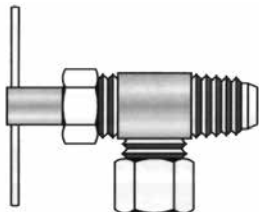
Compression x FIP 90° EII



PART NUMBER	SIZE
7-7068	3/8" x 1/2"

74 Series

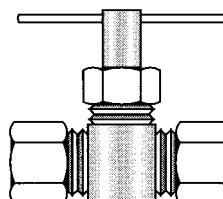
Compression x MIP Angle Valve



PART NUMBER	SIZE
7-74542	1/4" x 1/8"

78 Series

Compression x Compression Needle Valve



PART NUMBER	SIZE
7-7834	1/4"
7-7836	3/8"

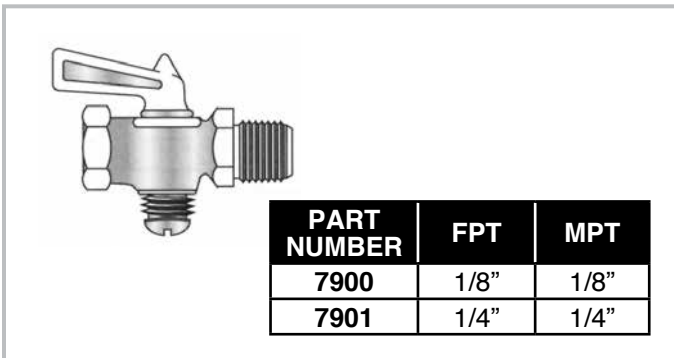
Spring Bottom Brass Shut-Off Valves

Small Diameters - Rated 30 PSIG

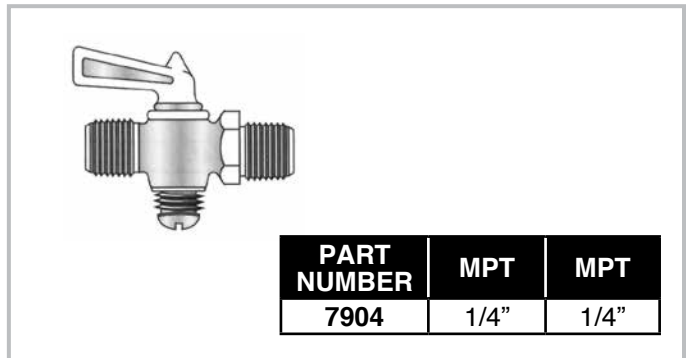
Features:

- Instantaneous On/Off operation
- Forged brass body
- 360° rotation standard for water
- Oil and air systems
- 40° to 250°F
- Highest quality valve of its kind

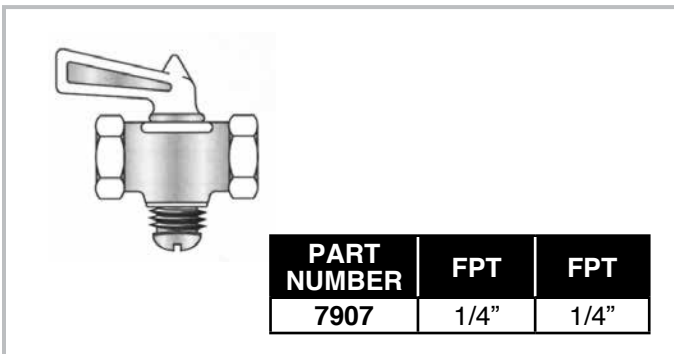
Female x Male Pipe



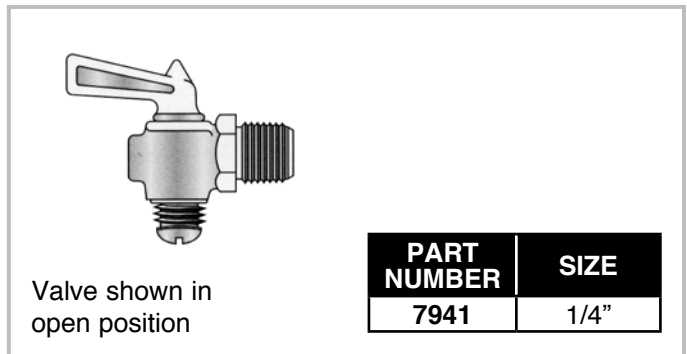
Male x Male Pipe



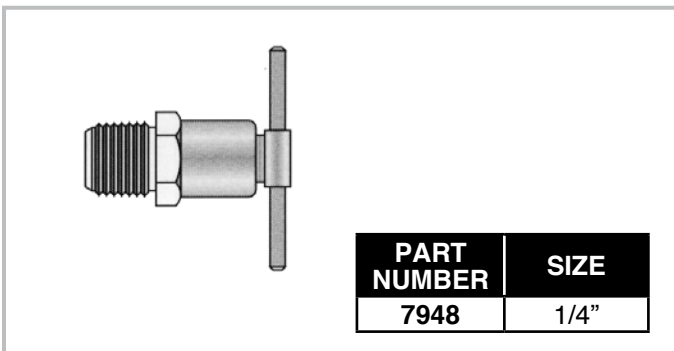
Female x Female Pipe



Drain Valve - 30 PSI



T-Handle Drain Valve

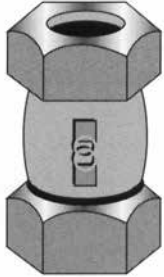


Do not use with liquified petroleum, natural gas, oxygen or similar explosive or combustible mediums.

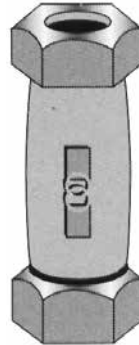


Steel Compression Couplings

These couplings are intended for temporary repair.
Do not use on hot water, steam, oxygen, petroleum or similar explosive or combustible mediums.



PART NUMBER	IPS	LENGTH
2900	1/2"	2-5/8"
2901	3/4"	2-3/4"
2902	1"	3-1/8"
2903	1-1/4"	3-1/4"
2904	1-1/2"	3-3/8"
2905	2"	3-5/8"
2906	2-1/2"	4-3/8"



PART NUMBER	IPS	LENGTH
2908	1/2"	3-3/4"
2909	3/4"	4"
2910	1"	4-1/4"
2911	1-1/4"	4-3/4"
2912	1-1/2"	5"
2913	2"	5-3/8"

Male x Compression



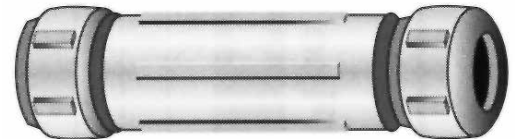
PART NUMBER	IPS
2950	1/2"
2951	3/4"

Brass Compression Couplings

These couplings are intended for temporary repair.
Do not use on hot water, steam, oxygen, petroleum or similar explosive or combustible mediums.



PART NUMBER	CWT	IPS	LENGTH
2916	1/2"	3/8"	2-9/16"
2917	3/4"	1/2"	2-3/4"
2918	1"	3/4"	3"
2919	1-1/4"	1"	3"
2920	1-1/2"	1-1/4"	3-1/4"
2927	—	1-1/2"	3-1/2"

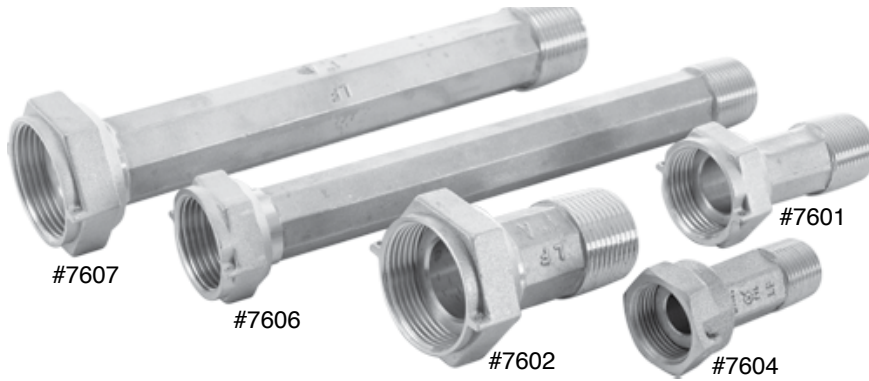


PART NUMBER	CWT	IPS	LENGTH
2921	1/2"	3/8"	5"
2922	3/4"	1/2"	5"
2923	1"	3/4"	5"
2924	1-1/4"	1"	5"
2925	1-1/2"	1-1/4"	5"
2926	2"	—	5"
2929	—	1-1/2"	5"
2930	—	2"	5"

Red Brass Water Meter Couplings



AB 1953



Sold individually w/ washers

PART NUMBER	SIZE
7601	1" x 3/4" x 2.57"
7602	1-1/4" x 1" x 2.60"
7604	5/8" x 1/2" x 2.38"
7606	1" x 3/4" x 8.50"
7607	1-1/4" x 1" x 8.50"

Washers Only

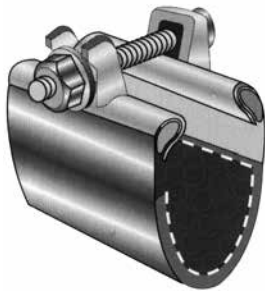
PART NUMBER	SIZE
7608	3/4"
7609	1"

Stainless Steel Repair Clamps

Stainless Steel Band, Neoprene Gaskets, Plated Steel Bolt, Nut & Washer. Temporarily Repairs & Split Pipe

One Bolt Type

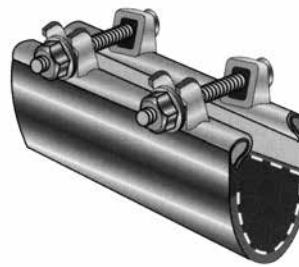
3" Length



PART NUMBER	IPS
2660	1/2"
2661	3/4"
2662	1"
2663	1-1/4"
2664	1-1/2"
2665	2"
2666	2-1/2"
2667	3"
2669	4"

Two Bolt Type

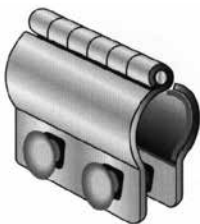
6" Length



PART NUMBER	IPS
2674	1/2"
2675	3/4"
2676	1"
2677	1-1/4"
2678	1-1/2"
2679	2"
2680	2-1/2"
2681	3"
2683	4"

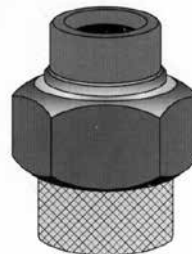
Repair Clamps

- Hinge Type-Economical
- Plated steel, supplied with gasket



PART NUMBER	IPS
1680	1/2"
1681	3/4"
1682	1"

Dielectric Unions - Steel



PART NUMBER	SIZE
2592	1/2"
2594	3/4"
2596	1"
2597	1-1/4"
2598	1-1/2"
2599	2"