



PASCO Specialty & Mfg., Inc.

P.O. Box 1667
South Gate, CA 90280
Phone (310) 537-7782
Fax (800) 737-2726

7529 Perryman Court
Curtis Bay, MD 21226
Phone (410) 360-5010
Fax (877) 377-6466

www.pascospecialty.com

TECHNICAL SPECIFICATION SUBMITTAL

Self-closing push button drinking fountain with replaceable operating cartridge.

Job Name _____ Date _____

Model Specified _____ Quantity _____

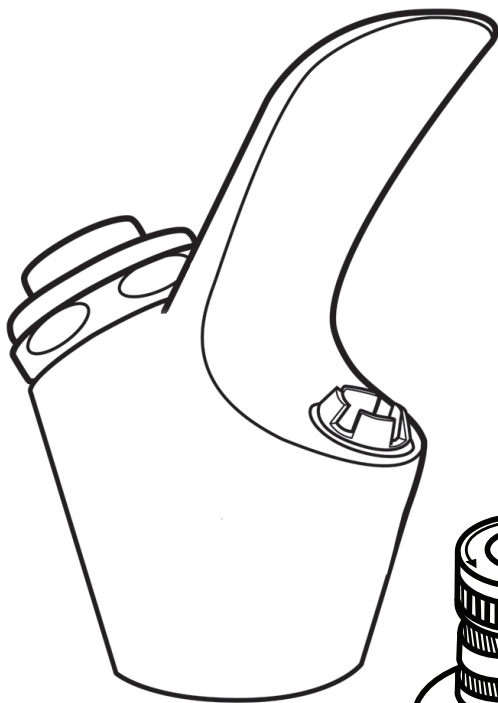
Customer/Wholesaler _____

Contractor _____

Architect/Engineer _____

Engineering Specification: Lead free chrome plated brass drinking fountain with push button and replaceable lead free operating cartridge. Used in schools, recreational facilities, commercial and institution facilities.

Chrome Plated Brass Drinking Fountain



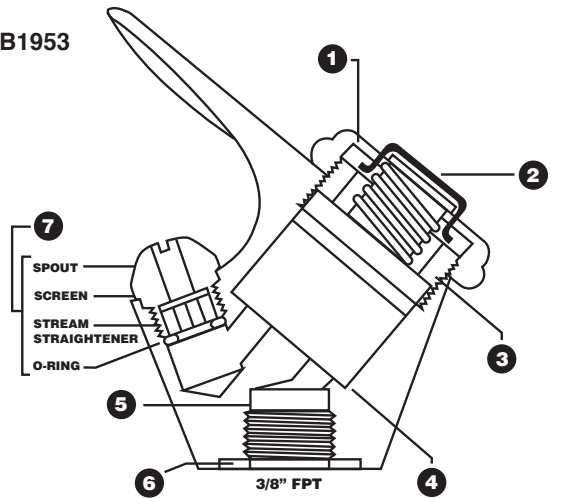
- 1/2" MPT (body inlet)
- Adjustable pressure flow rate
- Part Number 2194 complies with ANSI/NSF61, Section 9
- Part Number 86194 complies with the lead free requirements of California AB1953 and Vermont s.0152

Part Number 2194 Part Number 86194*

*LEAD FREE

2195 cartridge for 2194 or 86194

- Flow rate adjustment screw
- Acetal plastic
- Complies: CA AB1953 and VT S.0152



INDUSTRY EQUALS

HAWS	HW5010
EBCO	024572-001
SUNROC	AD19447-SP
HALSEY TAYLOR	3041
TOMLINSON	1016448

1. Chrome collar (2194-1)
2. Chrome button (2194-2)
3. Brass bushing (2194-3)
4. Valve gasket (2194-4)
5. Inlet screen (2194-5)
6. Inlet washer (2194-6)
7. Mouthpiece set (2194-M)



WARNING: Birth Defects, Reproductive Harm, and Cancer. www.p65warnings.ca.gov.