

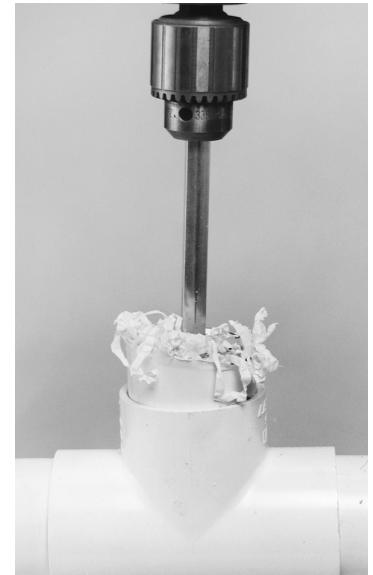
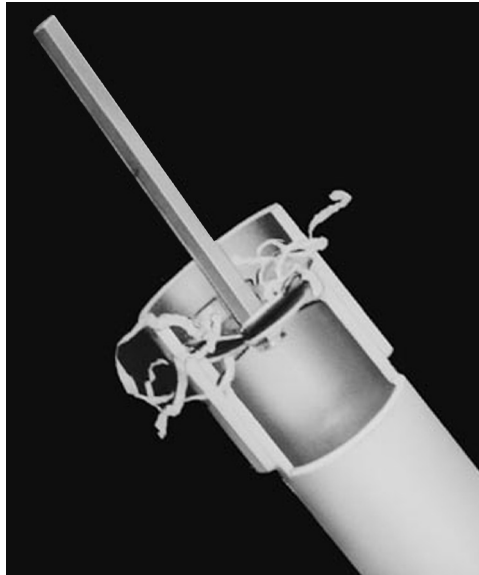
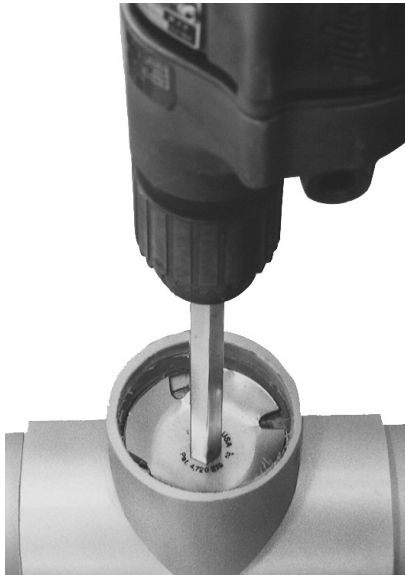


The Original

RAM BIT

Plastic Fitting Saver

Works on PVC or ABS Fittings



Makes in-line repairs and installations.
Reams plastic pipe squarely and accurately below the surface or finished grade.
Ram Bit leaves fittings clean and ready for solvent welding.

SAVES

- Plastic Fittings
- Welded Ball Valves

SAVES TIME

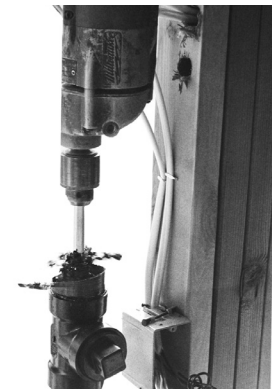
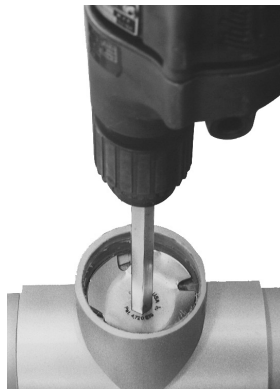
- Cuts 3" & 4" DWV flush, below slab or sub-floor
- Repairing irrigation and swimming pool manifolds
- Repairing sprinkler risers
- Repairing freeze damaged plastic pipe





RAMBIT

For:
ABS DWV, PVC DWV



PART NUMBER	SIZE	SCH 40	DRILL SIZE
3237	1/2"	✓	3/8" or heavy duty 3/8" rechargeable
3239	3/4"	✓	
3241	1"	✓	
3242	1-1/4"	✓	
3243	1-1/2"	✓	
3244	2"	✓	1/2" variable
3253	3"	✓	
3254	4"	✓	

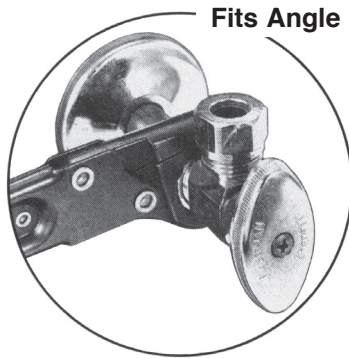
KWIK TITE WRENCH

Get a grip on the installation of angle stops with these two plumber designed tools.

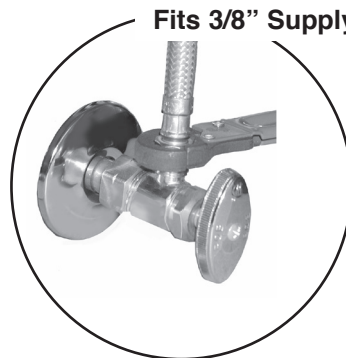
The larger forged steel socket “opens” to attach to an angle stop.
The smaller forged steel socket “opens” to attach to a 3/8” outlet supply nut.



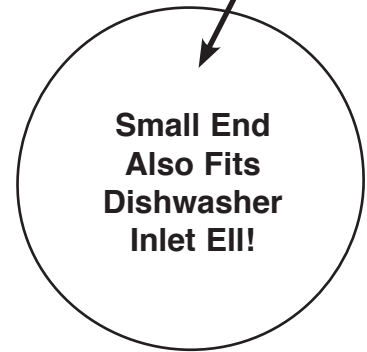
#4524 9” Length



Fits Angle Stop



Fits 3/8” Supply Nut



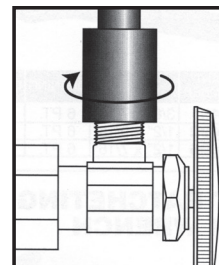
Small End
Also Fits
Dishwasher
Inlet EII!

Don't forget to use with the ANGLE-ON WRENCH

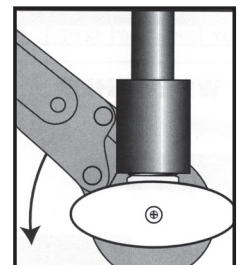


#4525 6” Length

- Fits 3/8” or 1/2” MPT compression outlet threads on angle stops.
- Help protect special finishes
- Precision machined



Remove outlet nut and screw on Angle-On



Angle-On acts as a lever for tightening compression angle stops.

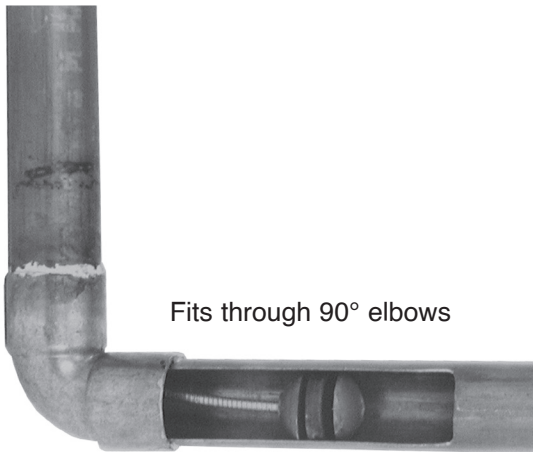
PART NUMBER	DESCRIPTION
4524	Dual Kwik Tite Wrench ONLY
4525	Angle-On Wrench ONLY
4528	Dual Kwik Tite Wrench & Angle-On Wrench packaged together



Quick Sweat

**Plumber
Designed!**

- Flexible 24" steel cables will slide through elbows and are interchangeable with the handle to fit different size copper.
- Durable polypropylene handle will fit 1/2" thru 2" cables.
- Long lasting elastomeric plug
- Eliminates "bread" and outperforms all the rest.



Fits through 90° elbows



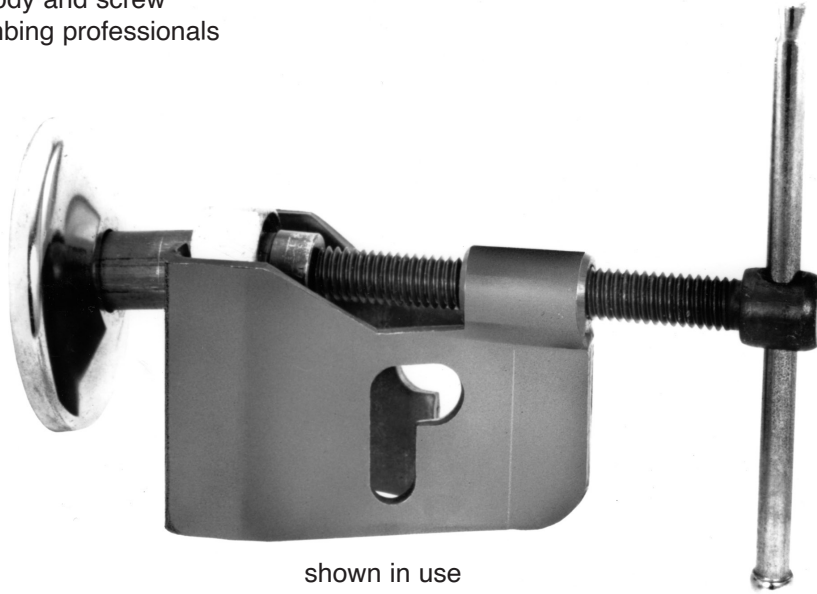
PART NUMBER	SIZE
51500	Tool including: Handle & 1-each 1/2", 3/4", 1" cables
51050	1/2" Complete tool
51075	3/4" Complete tool
51100	1" Complete tool
51125	1-1/4" Complete tool
51150	1-1/2" Complete tool
51200	2" Complete tool
51040	Handle ONLY
51012	1/2" Cable ONLY
51034	3/4" Cable ONLY
51010	1" Cable ONLY
51114	1-1/4" Cable ONLY
51115	1-1/2" Cable ONLY
51120	2" Cable ONLY



Compression Sleeve Puller

For 1/2" copper tubing

- Fully machined body and screw
- Designed by plumbing professionals

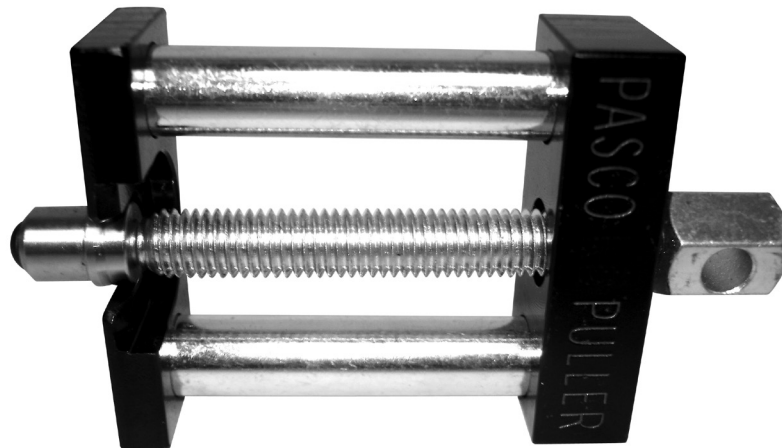


**PART
NUMBER**
4661

Compression Sleeve Puller

Heavy duty - For 1/2" copper tubing

- Use 3/8" ratchet with 3/4" socket
- Removes compressed brass sleeves
- Precision machined
- Extremely durable
- Designed by plumbing professionals



**PART
NUMBER**
4665



Drain Key™

Removes Corroded Bath Tub Drains

It's unique expanding design allows The Drain Key to internally grip in a 360° pattern. The drain Key's steel shoes will not mar chrome or special finishes. Installs and removes tub drains, closet spuds and pipe nipples.

Expands with a crescent wrench to unlock or install:

- Bathtub drains
- 1-1/4" or 1-1/2" Trap (dirty arm) nipples
- 1-1/4" or 1-1/2" closet spuds
- Jr. basket strainers, Jr. duo strainers, tray plug drains and duplex strainers



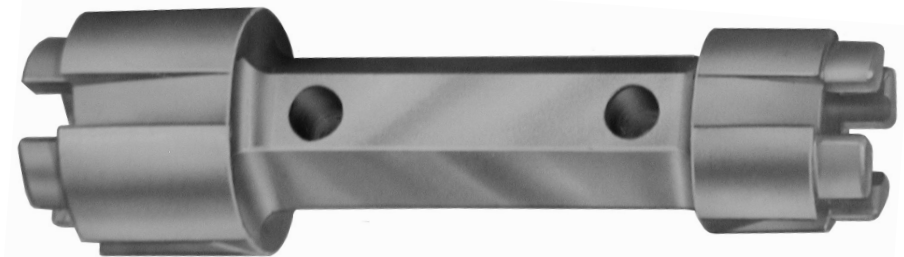
PART NUMBER	VOLTS
4500	Drain Key

Smart Dumbbell

The Original and Still The Best!

Fits all 17 modern tub drain configurations

Installs and removes tub drains and closet spuds

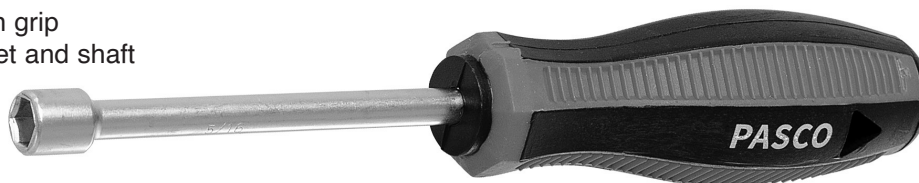


- Installs or removes drains without crossbars (Kohler, American Standard)
- Heavy duty die-cast aluminum
- Prevents scratching of decorative finishes
- Either a crescent wrench or large phillips screwdriver can be used to turn the tool
- Saves time, money and aggravation
- 6" length

PART NUMBER
4554

Nut Driver

- Non slip cushion grip
- One piece socket and shaft



PART NUMBER	SIZE
4129	5/16"



No-Hub Torque Wrench 60 Inch Pounds

- Measures torque when turned in a clockwise direction & ratchets when turned counterclockwise
- Retractable reversing lever
- Chrome vanadium socket
- Tested to tighten up to 10,000 no-hub couplings*
- 5/16" socket



- Used with PASCO couplings in Section "D"



PART NUMBER	SOCKET SIZE
7020	5/16"

No-Hub Heavy Duty Torque Wrench 60 Inch Pounds

- Measures torque when turned in a clockwise direction & ratchets when turned counterclockwise
- When torque value has been reached, the tool will skip to prevent over tightening
- Chrome vanadium socket
- Locking collar
- 5/16" socket



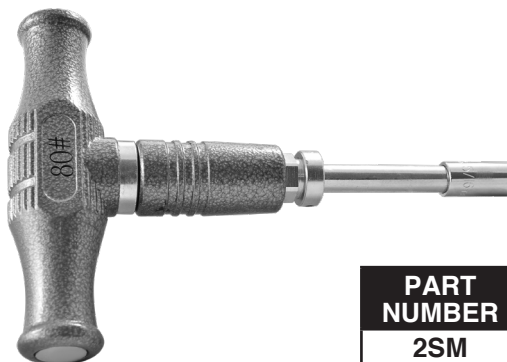
- Used with PASCO couplings in Section "D"



PART NUMBER	SOCKET SIZE
2SH	5/16"

No-Hub Heavy Duty Torque Wrenches 80 Inch Pounds

- Measures torque when turned in a clockwise direction & ratchets when turned counterclockwise
- When torque value has been reached, the tool will skip to prevent over tightening
- Chrome vanadium socket
- Locking collar



- Used with PASCO Heavy Duty Couplings in Section "D"



PART NUMBER	SOCKET SIZE
2SM	5/16"
8AH	3/8"



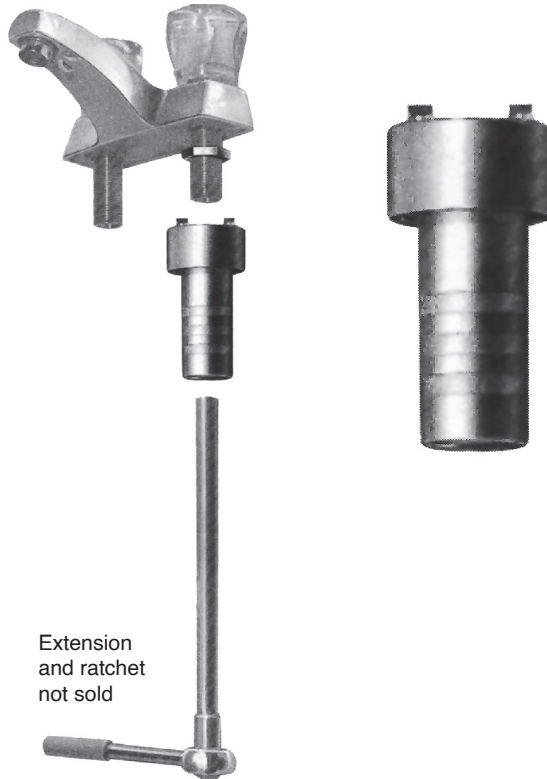
Quick Nutcracker

Quickly removes corroded 1/2" zinc locknuts from faucet shanks.

- Heat treated cutter blades
- Ball thrust bearings
- Durable black oxide finish
- Will work on faucet shanks with only three threads showing

For use on:

- 1/2" Shank single basin faucet
- 1/2" Shank centerset faucet
- 1/2" Shank kitchen faucets



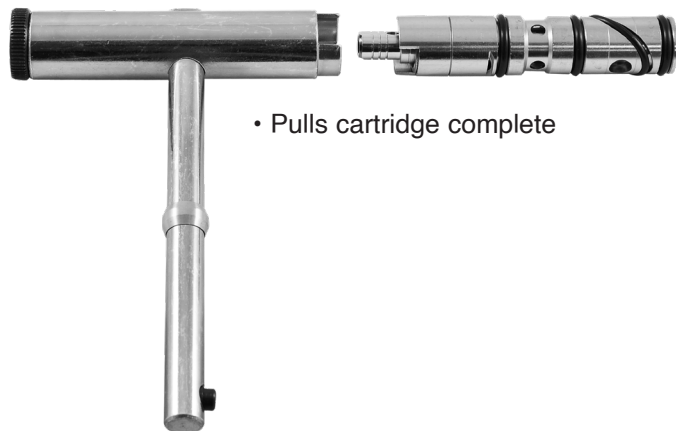
Extension and ratchet not sold

PART NUMBER
7000

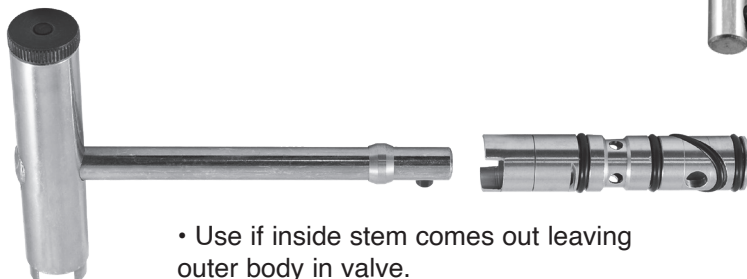
Moen® Stem and Cartridge Puller - The Original - 2-in-1 Tool

Removes Moen® stems and Moen® cartridges from faucets and shower valves. Also removes the Posi-Temp® tub/shower cartridge.

- Removes brass cartridges
- Removes outer body of stems
- Removes plastic stems & cartridges
- Precision made
- High quality steel components
- One piece construction
- Easy to use



• Pulls cartridge complete



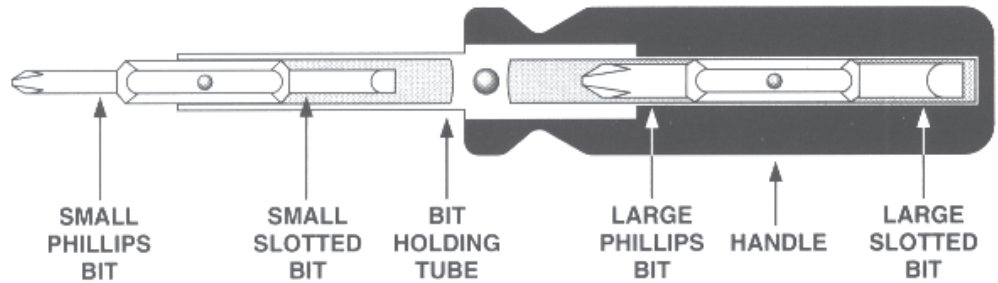
• Use if inside stem comes out leaving outer body in valve.

PART NUMBER
7040



6-in-1 Screwdriver

- Large comfortable handle
- 1 - small Phillips and slotted bit
- 1 - Large Phillips and slotted bit
- Hex shank has hex 1/4" and 5/16" socket - handle has 1/2" hex socket



PART NUMBER	DESCRIPTION
4208	6-in-1 screwdriver 12 pack
4208-C	Carded screwdriver

Self Lighting Torch

- For use with MAP-PLUS and Propane gas
- Brass flame burner tip
- Stainless steel burner tube
- Ignition button lock for continuous use
- Gas adjustment valve
- Ergonomically designed handle
- Fits all leading gas cylinders



PART NUMBER
42540



Heavy Duty Reinforced Contractor Hose

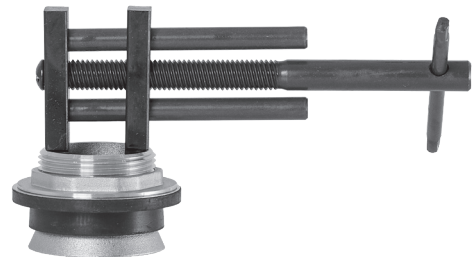
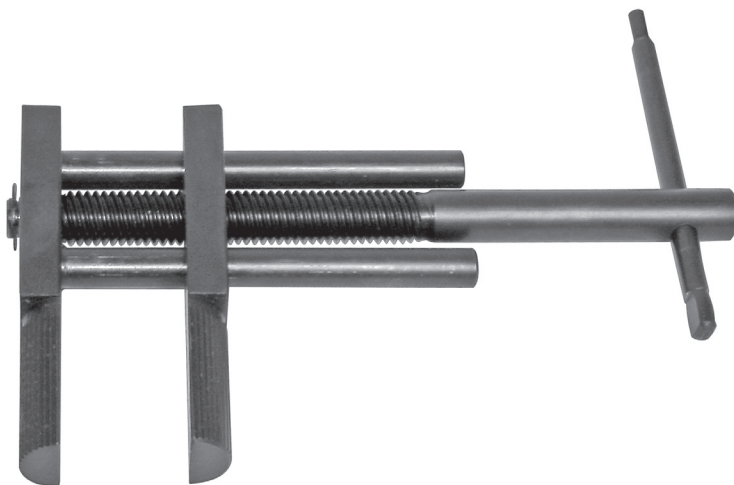
- Polyester reinforcement mesh
- Durable abrasion resistant jacket
- Patented Hose Armour® resists kinking at the spigot
- Heavy duty
- 400+ PSI



PART NUMBER	SIZE	LENGTH
531	5/8"	50'

Internal Spud Wrench

- A must to install or remove urinal and closet spud, waste and overflows
- 4" capacity
- Cushioned grip
- High quality



PART NUMBER
4562



Big Yank - The Original

- Removes large and small handles
- Economical yet tough
- One piece forged drive bracket
- 4" bracket width
- 5" gripper fingers

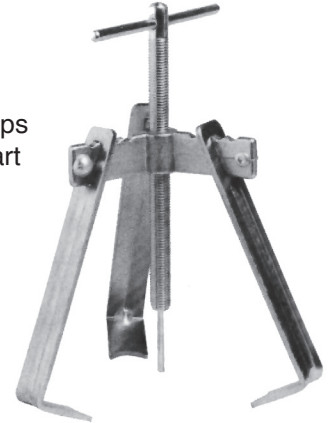


PART NUMBER
4659

Big Yank Sr.™ - The Original

The only handle puller that grips faucet handles with 3 fingers!

- One piece forged drive bracket
- Notches in bracket keeps fingers from sliding apart
- Engineered for the professional
- 5" gripper fingers



PART NUMBER
4668

Quick Set Pliers

- Easily fit 1-1/2" slip joint nuts
- Forged and chromed
- Vinyl grip handles



PART NUMBER	LENGTH
4063	10"

Inside Plastic Pipe Cutter

- Fits 3/8" and larger drills
- Cuts PVC, CPVC, and ABS from inside



PART NUMBER	DESCRIPTION
3290	Pipe Cutter
3290-B	2 Blades per pack

Utility Knife

- Retractable



PART NUMBER	DESC.	# PER PACK
4323	Knife w/ 2 extra blades	1
4325	Extra Blades	5

Torpedo Level

- Magnet and grooved
- Sturdy die cast
- Colored liquid in vials



PART NUMBER
4472



Journeyman Plastic Pipe Saws - The Original

- Cuts PVC, ABS, wood and drywall
- Unbreakable aluminum die cast handle
- Large, comfortable grip
- Flame hardened blade
- The best saw of its kind in the trade

Since 1973



PART NUMBER	DESCRIPTION
4331	Complete "Mity Mite" Saw
4331-B	13" "Mity Mite" Blade
4333	Complete "Journeyman" Saw
4333-B	18" "Journeyman" Blade
4333-H	"Journeyman" Saw Handle

Tiny Tim Hacksaw - The Original

- Cuts steel & brass
- Vinyl grip handle
- Display carded
- Blades sold in reusable tube

Since 1946



PART NUMBER	DESCRIPTION
4290	Hacksaw w/Blade
4292	Extra Blades 10/package

Pull Plastic Pipe Saw

- Cuts plastic pipe
- Smooth, fast and accurate cutting
- Pull cutting action

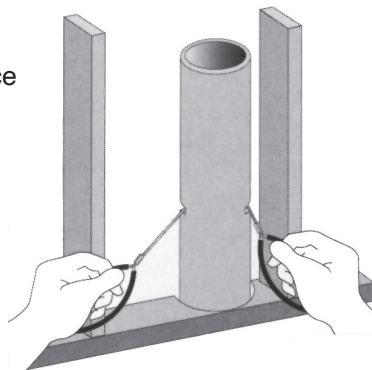


PART NUMBER	DESCRIPTION
4338	Saw w/12" Blade
4338-B	12" Blade
4339	Saw w/8" Blade
4339-B	8" Blade

Cable Saw

For fast cutting of PVC and irrigation pipe

- 24" Stainless steel cable
- Great for tight spots, need only 1/4" clearance
- Easily stored
- 30" Overall



PART NUMBER	DESCRIPTION
4336-S	Strip pack of 10

“Pro-Cut” Plastic Pipe Cutters

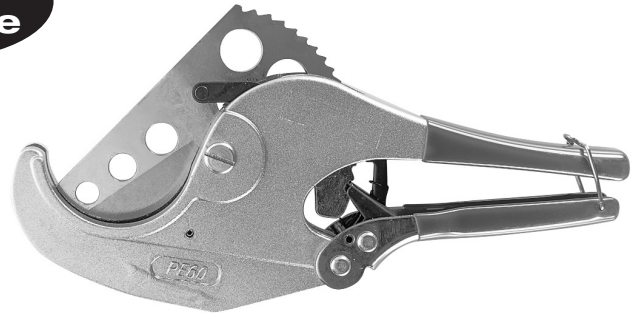
- Superior quality, heavy duty
- Coated handles
- Built for constant use
- Stainless steel blade

Plumbers Favorite



*1” Plastic Pipe Cutter

PART NUMBER	DESCRIPTION
4658	1” Pipe Cutter Complete
4658-B	Blade ONLY



*2” plastic pipe cutter

PART NUMBER	DESCRIPTION
4654	2” Pipe Cutter Complete
4654-B	Blade ONLY

PVC Pipe Cutter

- Cuts up to 1” PVC Pipe - all schedules!
- Cuts up to 1” CPVC



PART NUMBER	DESCRIPTION
4657	Complete
4657-B	Blade ONLY

Soft Pipe Cutter

- For cutting soft pipe and hose
- Heavy duty die cast body
- Cuts up to 2” soft tubing
- Reversible blade



The best cutter manufactured!

PART NUMBER	DESCRIPTION
4682	Complete
4682-B	Blade ONLY



Spark Lighters

- Round, Single, or Triple Flint
- Large hood traps more gas
- File rotates providing a fresh surface for the flint
- Flints good for 1,500 ignitions



4430



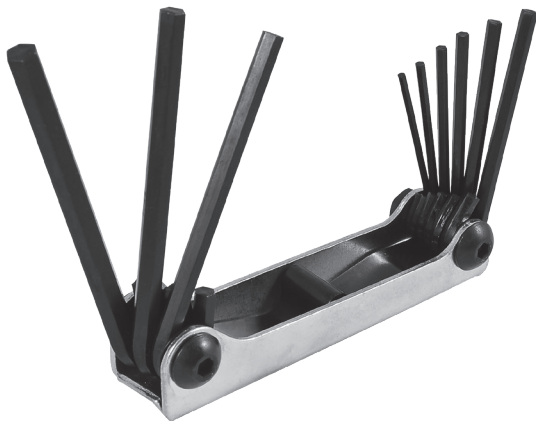
4437
Triple flint



PART NUMBER	DESCRIPTION	PKG.
4430	Lighter	10
4432	Extra Flints	5
4437	Shurlite Lighter	1
4438	Extra Flints	1

Hex Key Tool Caddy

- Keys are #8650 chrome nickle alloy steel
- Close tolerance assures precise fit into hex socket
- Hardened and tempered for maximum durability



PART NUMBER	NO. OF KEYS	KEY SIZES
3040	9 Keys	5/64", 3/32", 7/64", 1/8", 9/64", 5/32", 3/16", 7/32", 1/4"
3041	8 Keys	.050", 1/16", 5/64", 3/32", 7/64", 1/8", 9/64", 5/32"

Hex Key Tool Caddy



PART NUMBER	KEY SIZES
4575	.28", .035", .050", 1/16", 5/64", 3/32", 7/64", 1/8", 9/64", 5/32", 3/16", 7/32", 1/4", 5/16", 3/8"



Copper, Brass & Stainless Steel Tubing Cutter

- Superior quality
- Enclosed feed mechanism
- Removable deburring tool located inside cutter frame
- Cuts up to 1-1/2"
- Spare blade in handle

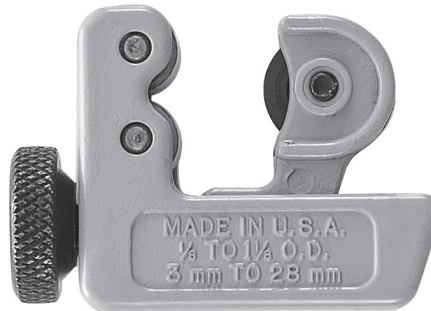


*Replacement blade

PART NUMBER	DESCRIPTION
37610	Cuts up to 1-1/2"
37610-B	Replacement Blade

Mini Tubing Cutter

- Cuts up to 1" copper
- Grooved rollers



PART NUMBER	DESCRIPTION
35180	Cuts 1/8" - 1-1/8" Tubing

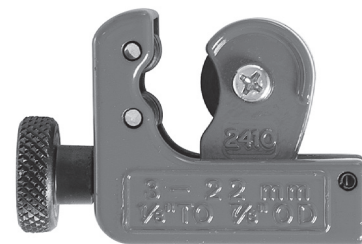
Economy Tubing Cutter

- Grooved roller
- Retractable reamer



PART NUMBER	DESCRIPTION
4350	Cuts 1/8" to 1-1/8" Tubing
4349	Blades

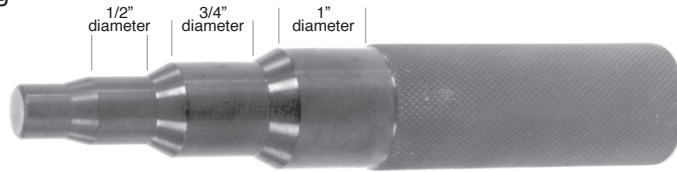
Mini Tubing Cutter



PART NUMBER	DESCRIPTION
4351	Cuts 1/8" to 7/8" Tubing

Swedging Tool

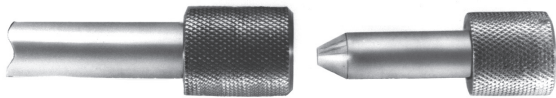
- For "M" Copper tubing



PART NUMBER	SIZE
4330	1/2" - 3/4" - 1"

Copper Sizing Tools

- Impact type to re-round copper tubing
- For "M" Copper tubing



PART NUMBER	SIZE
4343	1/2"
4344	3/4"
4345	1"

Copper Tube Flare Punches

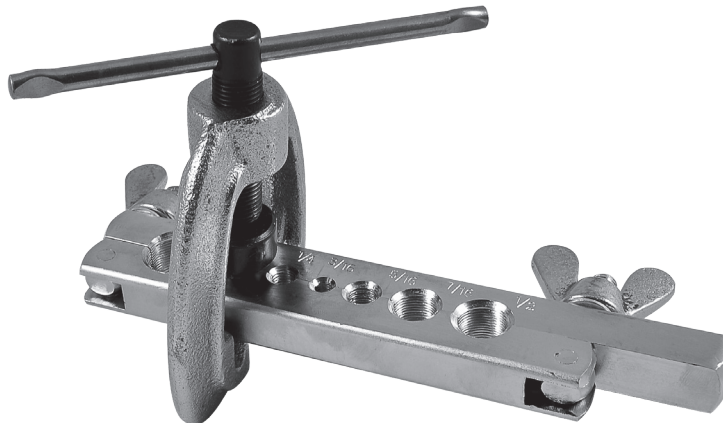
- Soft copper tubing



PART NUMBER	SIZE
4367	3/4"
4368	1"

Economy Flaring Tool

- For O.D. sizes:
- 3/16", 1/4", 5/16", 3/8", 1/2", 5/8"
- Makes smooth flare



PART NUMBER
4360



Chip and Oil Brush

- 1" Sold 36 pieces per box
- 2" Sold 24 pieces per box



PART NUMBER	SIZE
4647	1"
4649	2"

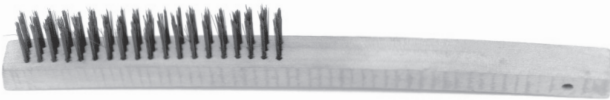
Natural Bristle Acid Brushes

- #1, #2, #4 Brushes sold 144 pieces per box
- #7 Brushes sold 36 pieces per box



PART NUMBER	SIZE	HANDLE MATERIAL
46501	#1	Metal
46512	#2	Metal
46524	#4	Metal
46537	#7	Wood

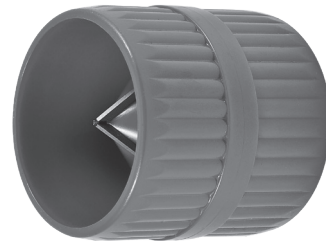
Wire Brushes



PART NUMBER	SIZE	HANDLE
4480	3 Rows of 19 Tufts	Long
4482	4 Rows of 17 Tufts	Short

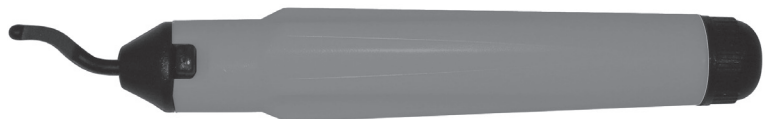
Copper Deburring Tool - Reamer

- Die Cast
- Deburrs up to 1-1/4" copper or CPVC



PART NUMBER	SIZE
4356	1/2" - 1-1/4"

Copper Pipe Deburring Tools with Plastic Handles



*Sold with 4 extra blades stored in the handle



Pen Style with Pocket Clip

PART NUMBER	STYLE
5103	Pen Style
5104	*Tool w/ 4 Blades
5105	*5 Blades per Pack



Strap Wrenches

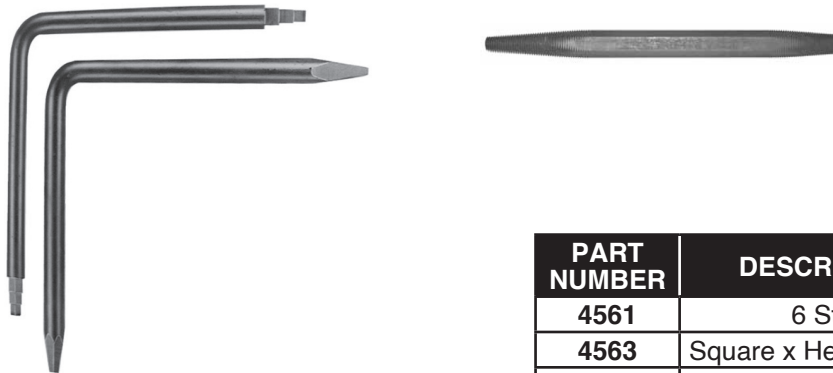
- Ideal for chrome pipe nipples
- Will not mar chrome, fittings & nipples



PART NUMBER	SIZE
4542	7"
4543	11"

Bibb Seat Tools

- For all faucet seats
- Cadmium plated
- Heat treated



PART NUMBER	DESCRIPTION
4561	6 Step
4563	Square x Hex x Straight
4564	Tapered

Bibb Seat Tool Set

SET INCLUDES:

- 1- 3/8" x 7/16" ratcheting box wrench
- 1- Small hex-large hex-tapered
- 1- Small square-large square-tapered
- 1- Small square-large square-straight
- Handy clear poly storage tube

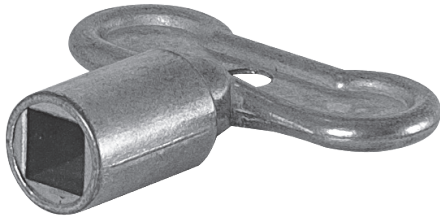


Packed in a sturdy, sealable plastic case.

PART NUMBER
4568

Sillcock Key

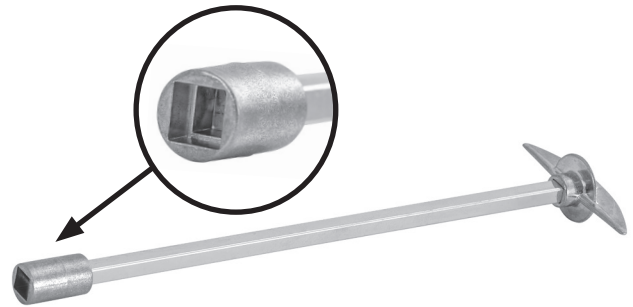
- Die Cast



PART NUMBER	SIZE
1700	5/16"

Loglighter Key

- Die Cast



PART NUMBER	SIZE	LENGTH
1707	1/4" and 5/16"	10"

4-Way Key

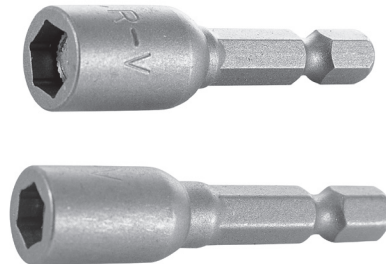
- Fits stopcocks, sillcocks and valves
- Sizes are 1/4" to 9/32" and 5/16" to 11/32"
- Die Cast
- Key chain loop



PART NUMBER
1701

Hex Screw and Nut Setter

- Use with 1/4" drill to drive hex sheet metal and anchor screws.
- Magnetic socket
- Heat treated
- 1/4" Drill shank



PART NUMBER	SIZE	BODY DIAMETER
1594	1/4"	7/16"
1595	5/16"	1/2"



“Drop In” Half Barrel Type Caulking Gun



**PART
NUMBER**
5100

Valve Stem Lube Heat Proof Grease

- Use on water or steam
- Apply to stems of faucets, packing, plungers, ball cocks, valves & washers
- Food grade

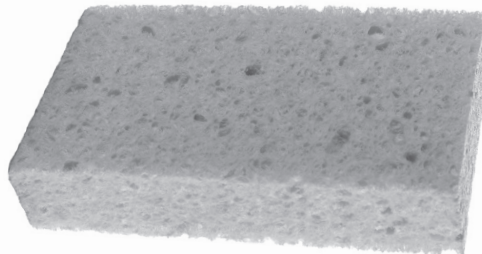


Sold in 12 pack only

**PART
NUMBER**
3155

Cellulose Sponges

- Excellent for drying and cleaning up
- For cleaning up tanks, lavatories, shower liners and leaking traps



PART NUMBER	SIZES
5184	6" x 4-1/4" x 1-11/16"
5185	7-1/2" x 4-1/2" x 2-1/16"



Copper Fitting Brushes



PART NUMBER	SIZE
5139	1/2"
5141	3/4"
5143	1"
5144	1-1/4"
5145	1-1/2"
5146	2"

- Economy
- Wire loop handle
- 2-Ply carbon steel bristles
- For bulk pricing add - BLK to part number



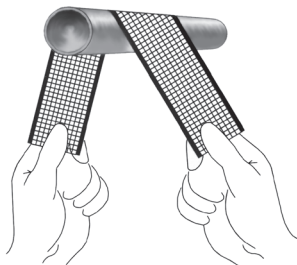
PART NUMBER	SIZE
5113	3/8"
5114	1/2"
5116	3/4"
5118	1"
5119	1-1/4"
5120	1-1/2"
5121	2"

- "A" Quality
- 2 Wire model
- High carbon crimped
- Steel bristles



Plumbers Open Mesh Sand Cloth

- Waterproof
- 180 Grit Aluminum oxide
- Handy reusable poly box



PART NUMBER	SIZE
3108	7.5 Yards

4-in-1 Fitting Brush

- Tube cleaning and fitting brush
- High impact plastic & high carbon steel bristles
- Replaceable brushes
- 1/2" and 3/4" copper



PART NUMBER	DESCRIPTION
5150	Complete 4-in-1 Brush

Plumbers Sand Cloth

Specially formulated for use in preparing copper fittings and tubing for soldering 120 grit aluminum oxide.



PART NUMBER	SIZE
3102	10 Yards

Copper Tube Brush

- Cleans copper water tube end for soldering



Sizes indicated are nominal copper

PART NUMBER	SIZE
5153	1/2"
5155	3/4"



Nipple Boxes

- Holds CL thru 6" nipples
- Fold away handle
- Powder coated steel



PART NUMBER	SIZE	HOLDS
3080	1/2"	77
3081	3/4"	66
3082	1"	50
3083 *	1-1/4"	40
3084	1-1/2"	30
3085	2"	27



Fitting Tote Tray

- Excellent for copper fittings
- 18 Gauge
- 20" x 10" x 5"
- Fold away handle
- Powder coated steel



PART NUMBER	DESCRIPTION
3088	With 8 dividers
3088-LD	No dividers



1/2" and 3/4" Combo Nipple Box

- Holds both 1/2" and 3/4" nipples
- Holds (39) 1/2" CL thru 6"
- Holds (33) 3/4" CL thru 6"
- Fold away handle
- Powder coated steel



PART NUMBER
3091



Pipe Taps NPT - National Pipe Thread

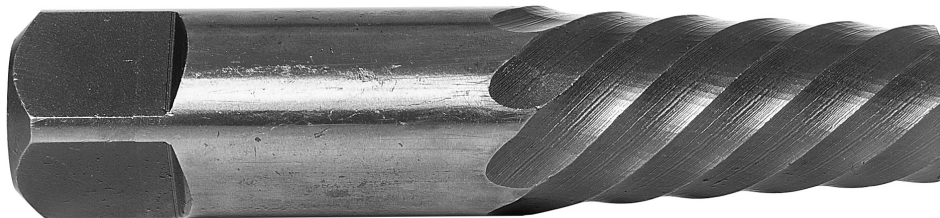
- High carbon steel
- Tapered thread taps



PART NUMBER	PIPE SIZE	TAP DRILL SIZE
4812	1/8"	1/8"
4813	1/4"	7/16"
4814	3/8"	37/64"
4815	1/2"	45/64"
4816	3/4"	59/64"
4817	1"	1-5/32"
4818	1-1/4"	1-1/2"
4819	1-1/2"	1-47/64"
4820	2"	2-7/32"

Nipple Extractors

- Removes nipples
- Left hand spiral tapered flute removes broken piece without thread damage

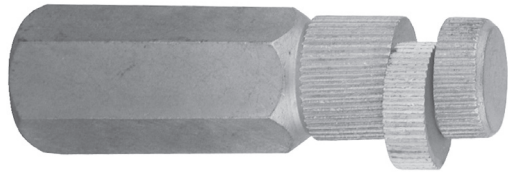


PART NUMBER	IND ID#	PIPE SIZE	DRILL SIZE	BOLT SCREW SIZE
4827	4	1/8"	1/4"	9/32" to 3/8"
4828	5	1/4"	19/64"	3/8" to 5/8"
4829	6	3/8"	13/32"	5/8" to 7/8"
4830	7	1/2"	17/32"	7/8" to 1-1/8"
4831	8	3/4"	13/16"	1-1/8" to 1-3/8"
4832	9	1"	1-1/16"	1-3/8" to 2"



Internal Nipple Wrench

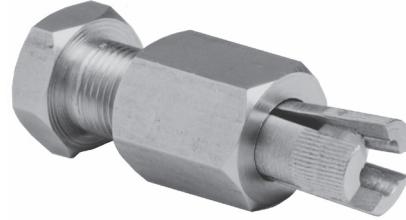
- CAM Type
- Removes or inserts
- Heat treated
- Cadmium plated



PART NUMBER	NIPPLE SIZE
4531	1/2"
4532	3/4"
4533	1"

Thread & Nipple Internal Key

- Unlocks any thread or nipple
- Excellent for chrome work
- Precision machined and hardened
- Loosens and tightens
- Designed to grip internally
- Removes broken nipple threads from fittings

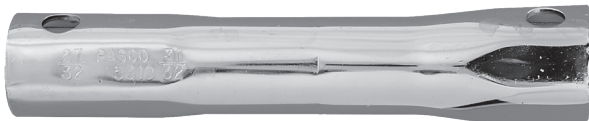


PART NUMBER	SIZES
4511	1/2" IPS
4512	3/4" IPS
4513	1" IPS

Price Pfister® Special Shower Valve Socket Wrench

Fits both bonnet and packing nuts on Price-Pfister® Shower Valve Stems.

- Fits 31/32" stem bonnet nuts
- Fits 27/32" stem packing nuts
- 50% longer than regular shower valve wrenches
- Overall length allows socket to reach well into tile covered walls



PART NUMBER
5310

Import Shower Valve Socket Set

- High quality steel

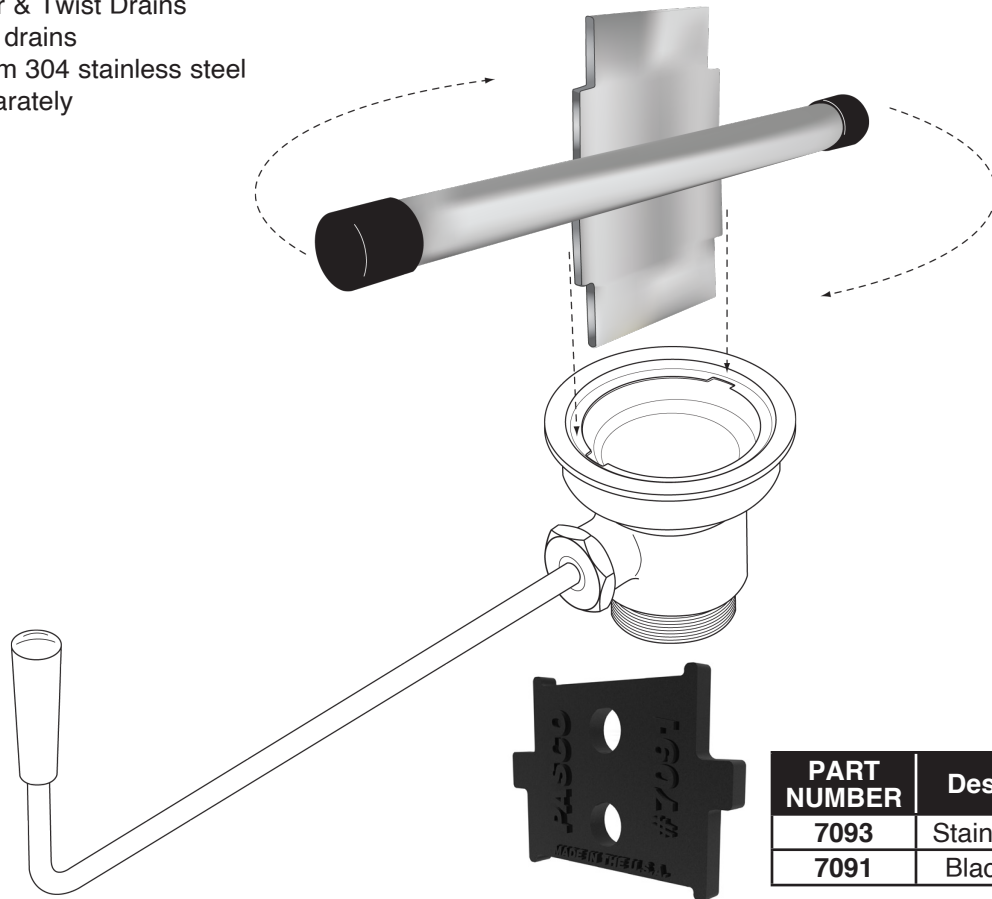


PART NUMBER	DESCRIPTION
5300	Complete Set



Commercial Sink Drain Tool

- Removes Lever & Twist Drains
- Fits 3" & 3-1/2" drains
- Constructed from 304 stainless steel
- Drain Sold Separately

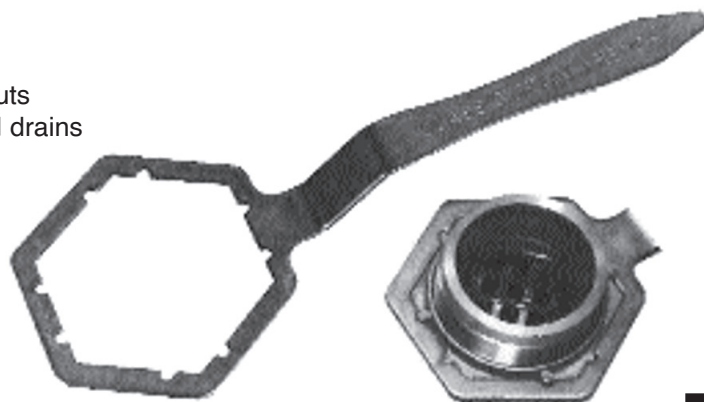


PART NUMBER	Description
7093	Stainless Steel
7091	Black Plastic

Classic Shower Drain Wrench

Tightens most fiberglass shower stall drain locknuts and die cast basket strainer locknuts.

- Fits 3-1/2" plastic locknuts
- Fits 3-3/8" die cast basket strainer locknuts
- Fits brass locknuts on brass shower stall drains
- Stamped steel
- 13" overall length
- Offset handle for close quarter work
- Cushion grip

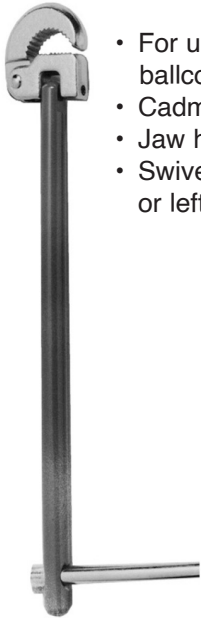


PART NUMBER
7095





Basin Wrenches



- For use on basin nuts, ballcocks & flush valves
- Cadmium plated
- Jaw has springs
- Swivel head operates right or left

Regular Basin Wrench

PART NUMBER	DESCRIPTION	SIZE	EXTENDS
4574	Regular Basin Wrench	11"	Does not Extend
*4590	Regular Basin Wrench	15"	Does not Extend
4573	Telescoping Basin Wrench	0"	9" to 16"
*4573-L	Telescoping Basin Wrench Large Jaw	0"	9" to 16"



- Extends from 9" to 16"
- Swivel jaw with spring
- Extra large jaw on 4573-L fits single lever faucet locknuts
- *Large jaw fits up to 2" locknuts

Telescoping Basin Wrench

Plumbers Combo Wrench

This all new wrench combines the features of 4 similar wrenches, including the Super Wrench. Designed for use on:

- Closet spuds
- Urinal spuds
- Kitchen basket strainers
- Urinal flush valves
- Compact 10" length



PART NUMBER
4556

Quick Set Drain Wrench

- Tightens or removes shower drains with internal locknut, (like our #7980)
- 10" overall length
- Plastic coated handle



PART NUMBER
7099



Closet Seat Nut Wrench

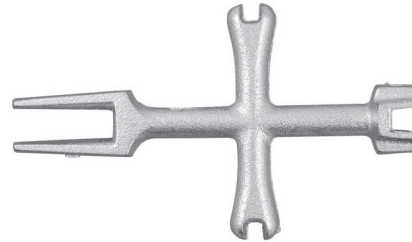
- Fits any length bolt
- Fits 99% of closet seat nuts
- Die cast



**PART
NUMBER**
4557

PO Plug Wrench

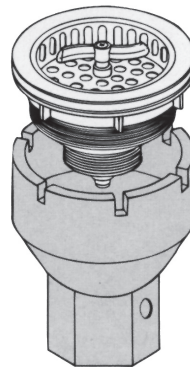
- Removes PO plugs and tub drains



**PART
NUMBER**
4555

4-in-1 Strainer Wrench

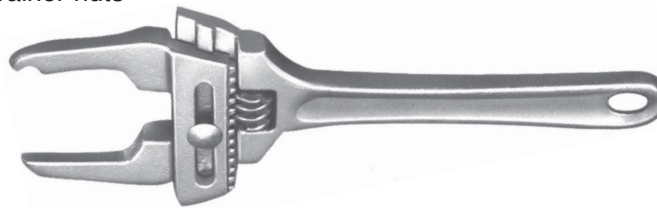
- Fits 3-3/8" strainer locknut
- 5-1/2" length
- Super tough Lexan plastic
- Slotted inserts that conveniently fit the standard slotted sink basket strainer locknuts



Tool ONLY
**PART
NUMBER**
4948

Adjustable Spud Wrench

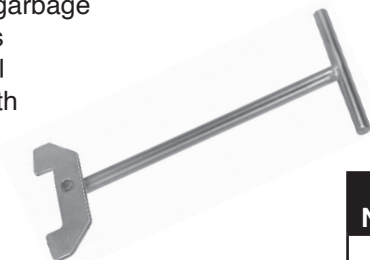
- 10" Length
- 1" to 3" Capacity
- For slip nuts, locknuts and strainer nuts



**PART
NUMBER**
4571

Garbage Disposal Wrench

- For releasing jammed garbage disposers
- 1/2" Steel
- 10" Length



**PART
NUMBER**
4943

Basket Strainer Wrench

- Zinc plated steel
- Handle slides



**PART
NUMBER**
4949

New Design Heavy-Duty Water Heater Element Wrench

- 1 1/2" socket size
- Now use 1/2" ratchet

1 1/2"

1/2"

PART NUMBER
4946

Radiator Air Vent Wrench 3-Way

PART NUMBER
4947

Radiator Spud Wrench

- Cast iron
- Fits 6 different sizes

PART NUMBER
4558

Sprinkler Nipple Extractor

- For plastic risers
- Not for Brass
- Irrigation

PART NUMBER
4498

Putty Knives Steel Blade

PART NUMBER	BLADE
4117	Stiff



Professional Wear-A-Day Disposable Gloves

- Blue, powder-free latex
- Plumber grade
- Sold by the box
- 15 mil latex
- 50 Gloves per box



PART NUMBER
952L
952XL

Disposable Gloves - Black

- Powder-free nitrile
- Sold by the box
- 100 Gloves per box



PART NUMBER
950L
950XL

Atlas® Nitrile Tough 370 Gloves - Black/Grey

Long cuff & dark grey coating

- Grips
- Won't slip when wet
- Durable
- Resists solvent cement
- Packed by 12 pair



PART NUMBER
370M
370L
370XL

Atlas® Nitrile 380 - Blue/Black

Waffle Pattern Palm

- Lint free nylon liner
- Compressed air-infused foam nitrile coating
- Waffle pattern provides good grip in wet conditions
- Heavy duty
- Packed by 12 pair



PART NUMBER
380M
380L
380XL

Atlas® Fit 300 - Blue

The original palm coated glove!

- Natural rubber coating
- Breathable back
- Seamless knit liner
- Outstanding grip
- Ergonomic fit
- Packed by 12 pair



PART NUMBER
300M
300L
300XL



Jersey Gloves

Cold weather favorite!

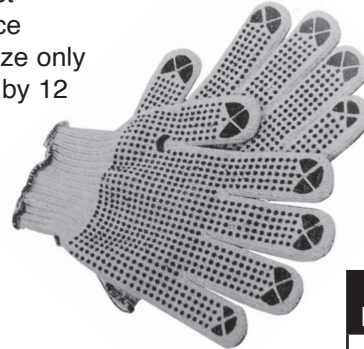
- Knit wrist in seal brown
- 9 oz. fabric
- Cotton blend
- Packed by 12 pair



PART NUMBER
403

Single Sided Plastic Dot Gloves

- 8 oz. cotton glove
- Knit wrist
- Use twice
- Large size only
- Packed by 12 pair



PART NUMBER
5500

Stallion Gloves

Best selling work glove in the industry

- Split leather palm glove
- Clute cut with 100% cotton fabric back
- Large size only
- Packed by 12 pair



PART NUMBER
1290

Double Palm Gloves

- Wears especially well in uses such as handling a drain cleaning cable
- Large size only
- Packed by 12 pair



PART NUMBER
5231-DP

Drain Snake Glove

Preferred by Plumbers

- PVC/NBR blend coating with PVC chips for non slip
- Chemical Resistant



*Cuffed wrist

PART NUMBER	DESCRIPTION
GL4100	Cuffed Wrist
GL4112	Mid-forearm length

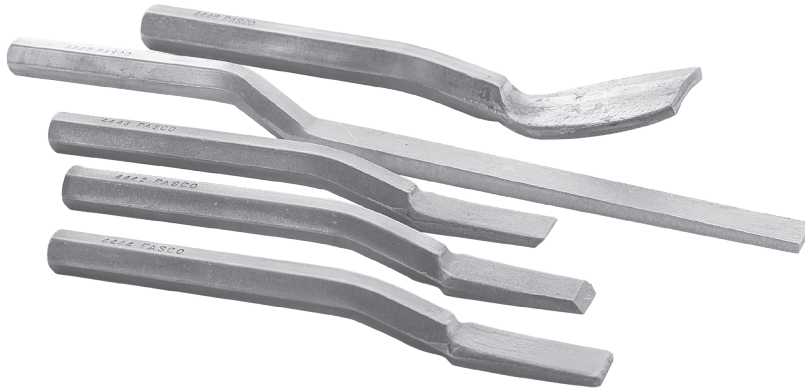


*Mid-forearm length



Caulking Tools

- For lead & oakum



PART NUMBER	DESCRIPTION
4442	5/8" x 7" Inside caulker
4443	5/8" x 7" Outside caulker
4444	5/8" x 7" Straight caulker
4446	1-1/2" Curved broad caulker
4447	5/8" x 12" Offset yarning iron

Plumbers Lead Pot



PART NUMBER	SIZE	VOLUME IN WEIGHT
4592	6"	30 lbs.

Lead Ladle



PART NUMBER	SIZE
4586	4"

Cut Length Oakum Oiled or White

- Convenient, labor saving cut lengths
- Non-splitting
- Contains no tar
- Made to pack well, caulks tight
- Treated with a special compound to expand when wet



Oil Treated

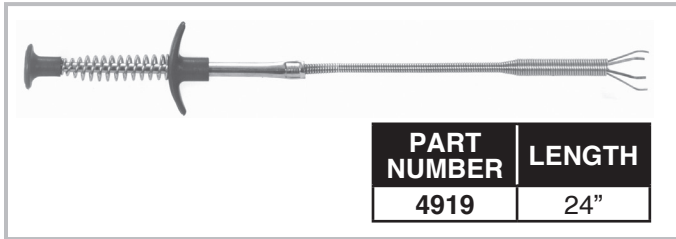
PART NUMBER	DESCRIPTION
2899	1 bag 27" strands = 1 LBS
2897	1 box 27" strands = 5 LBS

White - No Oil

PART NUMBER	DESCRIPTION
28100	1 bag 27" strands = 1 LBS



“Grab All” Retrieving Tool



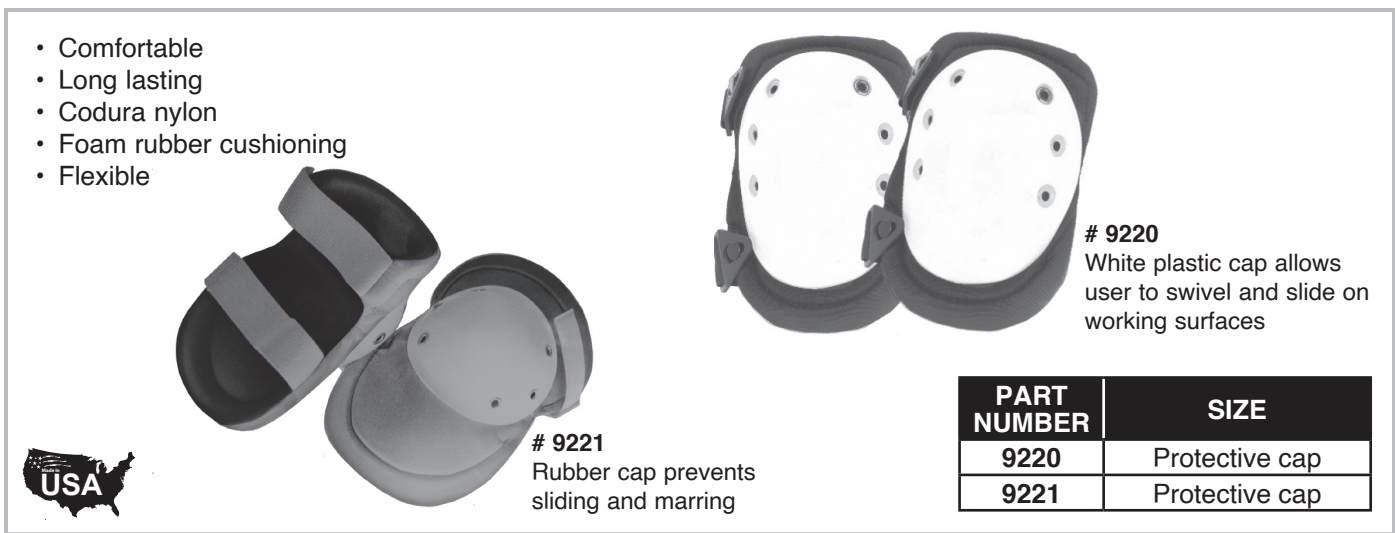
Magnetic Retrieving Tool



Inspection Mirror



Protective Knee Pads



Disposable Shoe Covers





Water Meter Key

All new lightweight design!

This key is designed for valves that are hard to turn

- Minimum order of 5 keys required
- Heavy duty



PART NUMBER	SHAFT DIAMETER	LENGTH	HANDLE LENGTH
4061	5/8"	60"	14"
4089	3/4"	40"	14"

Simply The Best Plumber's Air Pump

- Made of virtually unbreakable polypropylene
- 1-1/4" one piece barrel permits a large volume of air
- 48" Non-kinking reinforced hose
- Quick connect thumb valve
- Large easy one-piece grip handle
- 2" 0-160PSI gauge
- Foot pad is an integral part of pump - won't pull off



PART NUMBER
1424

Meter Key Socket Head

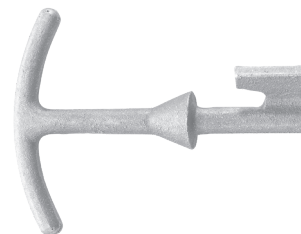
Make any length meter key using 1/2" IPS threaded pipe and this socket



PART NUMBER
4059

Water Meter Box Key

- Brass
- Fits most locks



PART NUMBER
4074

Tie Down Poly Straps

- Straps are made of polyester webbing material
- Carbon steel cam buckle
- Straps are color coded by length
- Straps have a tensile strength up to 750 lb
- 1" width
- Two straps per package



PART NUMBER	DESCRIPTION
8740-D	Display w/ 2 of each size

PART NUMBER	DESCRIPTION
8741	Pair of 3 ft. green straps
8742	Pair of 4 ft. red straps
8743	Pair of 6 ft. yellow straps
8744	Pair of 8 ft. brown straps
8745	Pair of 10 ft. blue straps
8746	Pair of 12 ft. black straps

Nylon Layout Twine

- For plumb line, seine line, chalk line, mason line



PART NUMBER	SIZE	TEST	LENGTH
4115	#18	179 lb.	275 ft.

Binder Twine

- 2,000 Ft.
- Sisal



PART NUMBER
4043

Truck Rope

- Polypropylene - Black-Orange



PART NUMBER	O.D. SIZE	LENGTH
4111	3/8"	50 ft.
4112	3/8"	600 ft.



Master Plumbers Force Cup

- Heavy duty
- Ribbed cup for strength
- Provides big "blast" for all stoppages
- High quality rubber
- 19" handle



PART NUMBER
4636

Heavy Duty Closet Bowl Force Cup

- Extra large for best pressure with positive seal
- Designed for all types of toilets
- High quality rubber
- 19" handle



PART NUMBER
4637

Economy Force Cup

- High quality rubber
- Available in 5" or 6" diameter
- 19" handle

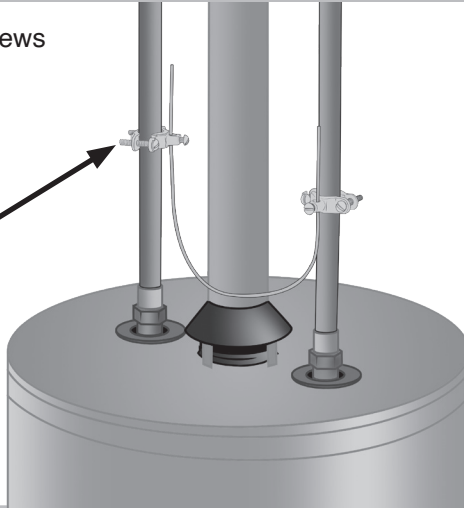
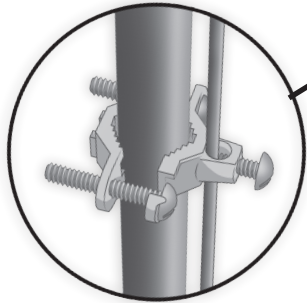


PART NUMBER	SIZE
4640	5"
4641	6"



Water Heater Grounding / Bonding Wire Kits

- Two bronze clamps - steel screws
- Fits 3/4" - 1" pipe
- 12" or 24" 6 gauge copper



PART NUMBER	DESCRIPTION
1050	Water Heater Grounding Kit 12"
1052	Water Heater Grounding Kit 24"
5075	Grounding Adapter Only

Bare Copper Grounding Wire

- 6 gauge
- 250 foot spool



PART NUMBER
8330

Screw-On Wire Connectors

- Industry standard
- 600 V
- Packed by 10
- Packed by 100



PART NUMBER	DESCRIPTION
5070	Orange = Small Connects wire sizes #22 - #14
5074	Yellow = Medium Connects wire sizes #18 - #10

"Romex" Connector

For garbage disposal pigtails

- Zinc die cast
- Dry location use



10 per bag

PART NUMBER
5080

Disposer, Irrigation Timer & Furnace Cords

ANGLE CAPS

- Wire Nuts
- Romex Connector
- Ends stripped 5/8"
- Pigtail



PART NUMBER	LENGTH	RATING	CORD TYPE
8121	3'	13-A	16/3 SPT
8122	4'		
8123	5'		
8124	6'		
8125	8'		

STRAIGHT CAPS

- Wire Nuts
- Romex Connector
- Ends stripped 5/8"
- Pigtail



PART NUMBER	LENGTH	RATING	CORD TYPE
8130	3'	13-A	16/3 SPT
8131	4'		
8132	5'		
8133	6'		
8134	8'		