



PASCO Specialty & Mfg., Inc.

P.O. Box 1667
South Gate, CA 90280
Phone (310) 537-7782
Fax (800) 737-2726

7529 Perryman Court
Curtis Bay, MD 21226
Phone (410) 360-5010
Fax (877) 377-6466

www.pascospecialty.com

TECHNICAL SPECIFICATION SUBMITTAL

Lead free chrome plated brass drinking fountain for use on enamel cast iron, china or stainless steel fountain bowls

Job Name _____ Date _____

Model Specified _____ Quantity _____

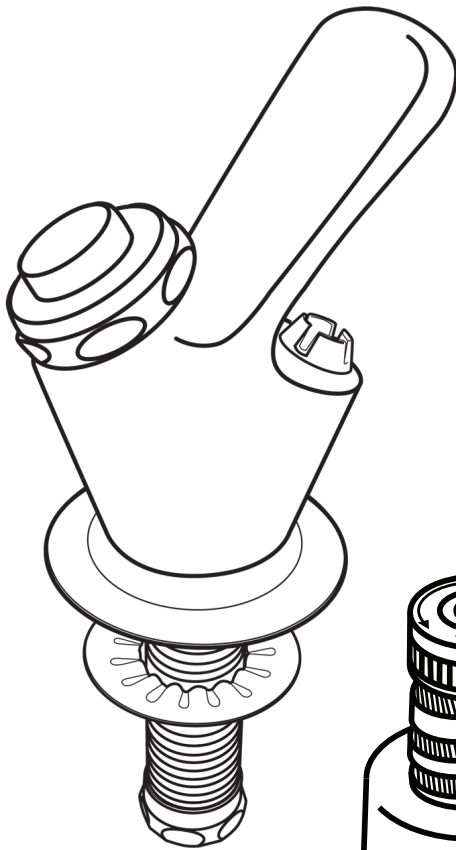
Customer/Wholesaler _____

Contractor _____

Architect/Engineer _____

Engineering Specification: Lead free chrome plated brass drinking fountain with push button and replaceable lead free plastic operating cartridge. For specific use on wall hung drinking fountains with drain bowls.

Lead Free Chrome Plated Brass Drinking Fountain Retro Fit Assembly



- 1/2" MPT X 3/8" (body inlet) x 3-1/2" stainless steel nipple
- Cartridge has adjustable flow rate feature
- Replace outlet spout
- Stainless steel flange covers various size holes in fountain bowl
- 1-3/4" cover for old handle hole in fountain bowl
- Replacement cartridge number 2195

Complies:
• ANSI/NSF 61 Annex G

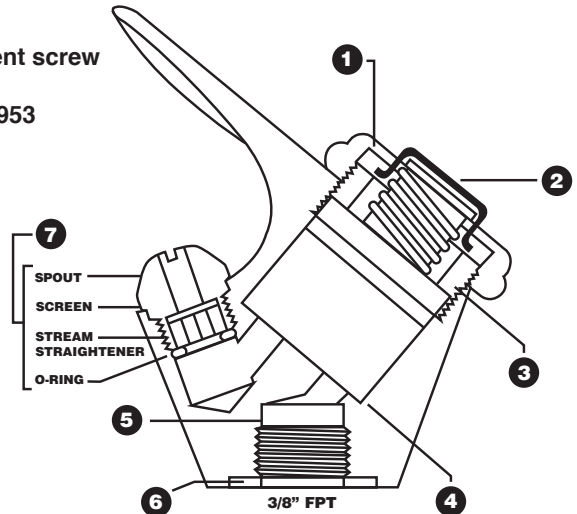
Part Number 2197
Part Number 86197*

***LEAD FREE**

2195 Cartridge for either fountain head



- Flow rate adjustment screw
- Acetal plastic
- Complies: CA AB1953 and VT S.0152



- | | |
|---------------------------|----------------------------|
| 1. Chrome collar (2194-1) | 5. Inlet screen (2194-5) |
| 2. Chrome button (2194-2) | 6. Inlet washer (2194-6) |
| 3. Brass bushing (2194-3) | 7. Mouthpiece set (2194-M) |
| 4. Valve gasket (2194-4) | |

INDUSTRY EQUALS

HAWS	HW5010
EBCO	024572-001
SUNROC	AD19447-SP
HALSEY TAYLOR	3041
TOMLINSON	1016448



WARNING: Birth Defects, Reproductive Harm, and Cancer. www.p65warnings.ca.gov.