



PASCO Specialty & Mfg., Inc.

P.O. Box 1667
South Gate, CA 90280
Phone (310) 537-7782
Fax (800) 737-2726

7529 Perryman Court
Curtis Bay, MD 21226
Phone (410) 360-5010
Fax (877) 377-6466

www.pascospecialty.com

TECHNICAL SPECIFICATION SUBMITTAL

Job Name _____ Date _____

Model Specified _____ Quantity _____

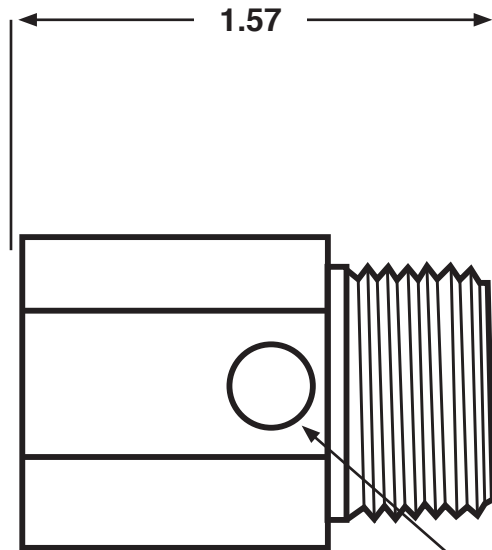
Customer/Wholesaler _____

Contractor _____

Architect/Engineer _____

Engineering Specification:

**BRASS HOSE TO PIPE ADAPTER
#7-3098**



Hex = .93

1/8-27 FEMALE THREAD

SIZE: 1/2" FPT X 1/2" MPT

DESCRIPTION: 1/2" Evaporative Cooler Fitting

MATERIAL: BRASS

NOTE: DIMENSIONS ARE APPROXIMATE



WARNING: Birth Defects, Reproductive Harm,
and Cancer. www.p65warnings.ca.gov.