



PASCO Specialty & Mfg., Inc.

P.O. Box 1667
South Gate CA 90280
Phone (310) 537-7782
Fax (800) 737-2726

7529 Perryman Court
Curtis Bay, MD 21226
Phone (410) 360-5010
Fax (877) 377-6466

www.pascospecialty.com

TECHNICAL SPECIFICATION SUBMITTAL

Service sink faucet for commercial service and mop sinks with vacuum breaker, hose connection spout and inlets with stops.

Job Name _____ Date _____

Model Specified _____ Quantity _____

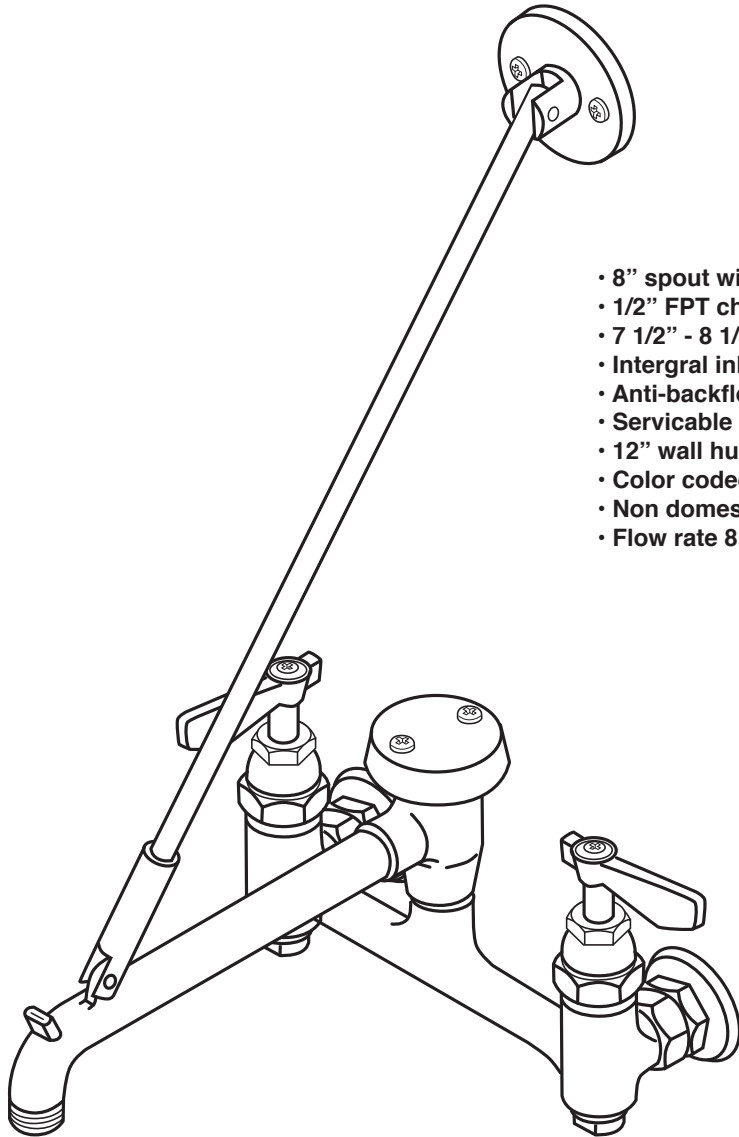
Customer/Wholesaler _____

Contractor _____

Architect/Engineer _____

Engineering Specification: PASCO 33110 chrome plated brass service or mop sink faucet with 8" spout threaded with a 3/4" female hose thread comes with adjustable 1/2" inlets, vacuum breaker, wall bracket.

**Satin Chrome Plated Brass Faucet
Part Number 33110**



- 8" spout with 3/4" FHT outlet
- 1/2" FPT chrome plated brass inlets
- 7 1/2" - 8 1/2" centers for inlet
- Integral inlet stops for cartridge removal
- Anti-backflow stems
- Servicable backflow vacuum breaker with replaceable parts
- 12" wall hung spout support arm
- Color coded (red-blue) handles
- Non domestic manufacture
- Flow rate 8.1 GPM at 20 PSI

INDUSTRY EQUALS

CHICAGO FAUCET	897
T & S	B-0697
FIAT	830-AA
FISHER	8253
AMERICAN STD.	8345
KROWNE	16-127



WARNING: Birth Defects, Reproductive Harm, and Cancer. www.p65warnings.ca.gov.