



PASCO Specialty & Mfg., Inc.

P.O. Box 1667
South Gate, CA 90280
Phone (310) 537-7782
Fax (800) 737-2726

7529 Perryman Court
Curtis Bay, MD 21226
Phone (410) 360-5010
Fax (877) 377-6466

www.pascospecialty.com

TECHNICAL SPECIFICATION SUBMITTAL

Angle urinal metering valve without vacuum breaker

Job Name _____ Date _____

Model Specified _____ Quantity _____

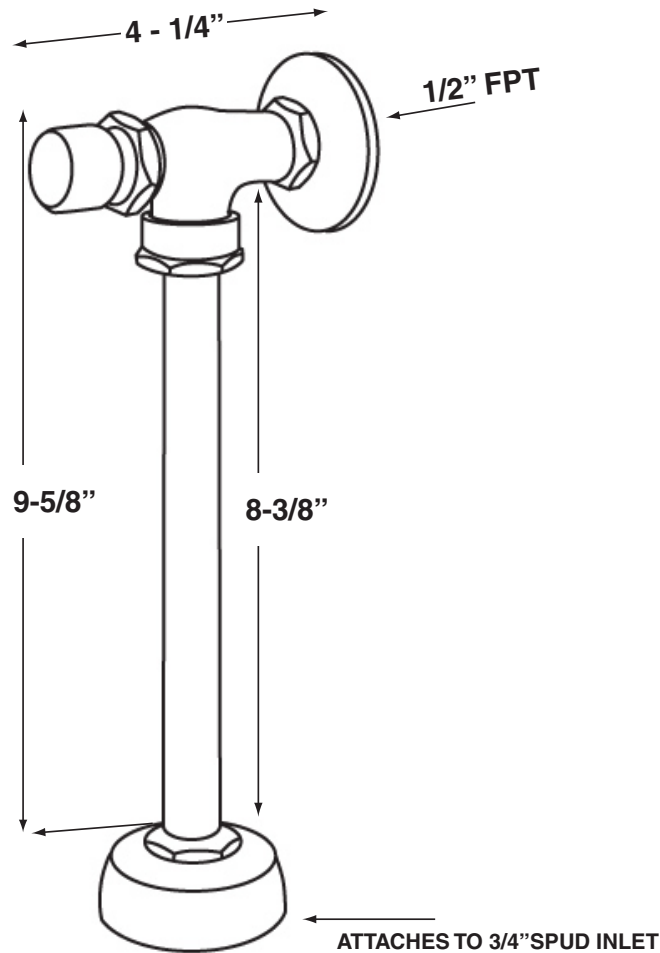
Customer/Wholesaler _____

Contractor _____

Architect/Engineer _____

Engineering Specification: Chrome plated brass angle urinal metering valve without vacuum breaker for wall hung urinals.

**Push Button Self-Closing 90 Degree Flush Valve
#21840**



- Round push button handle indexed "Push"
- Closing time is adjustable from 3 to 15 seconds. requires 1/16" hex key wrench
- 1/2" FPT Inlet
- Slip fit wall flange
- 3/4" OD x 9 7/8" ailpiece
- Chrome plated brass urinal spud escutcheon spud nut and rubber washer
- Assembled in USA with domestic and foreign parts



WARNING: Birth Defects, Reproductive Harm, and Cancer. www.p65warnings.ca.gov.