



**PASCO Specialty & Mfg., Inc.**

P.O. Box 1667  
 South Gate, CA 90280  
 Phone (310) 537-7782  
 Fax (800) 737-2726

7529 Perryman Court  
 Curtis Bay, MD 21226  
 Phone (410) 360-5010  
 Fax (877) 377-6466

www.pascospecialty.com

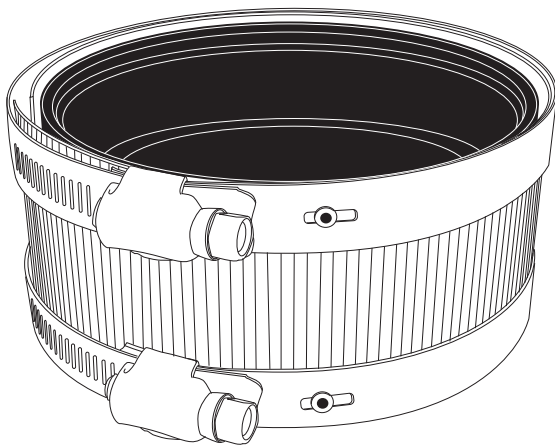
**TECHNICAL SPECIFICATION SUBMITTAL**

Stainless Steel No-Hub coupling to connect hubless cast iron pipe.  
 Standard 60 inch pound torque for PNHC and 80 inch pound torque for  
 PNHC-HD

Job Name \_\_\_\_\_ Date \_\_\_\_\_  
 Model Specified \_\_\_\_\_ Quantity \_\_\_\_\_  
 Customer/Wholesaler \_\_\_\_\_  
 Contractor \_\_\_\_\_  
 Architect/Engineer \_\_\_\_\_

Engineering Specification: PASCO No-Hub Couplings are used to connect hubless cast iron pipe. The coupling consists of a 304 stainless steel shield and 304 stainless steel worm gear clamp bands, elastomeric compound gasket.

**Standard No-Hub Couplings**



- AISI 304 stainless steel band shield and screw
- Gaskets conform to ASTM C564
- 60 inch pound torque
- Non domestic manufacture

**Complies with:**

- CISPI 310-97
- ASTM 1277

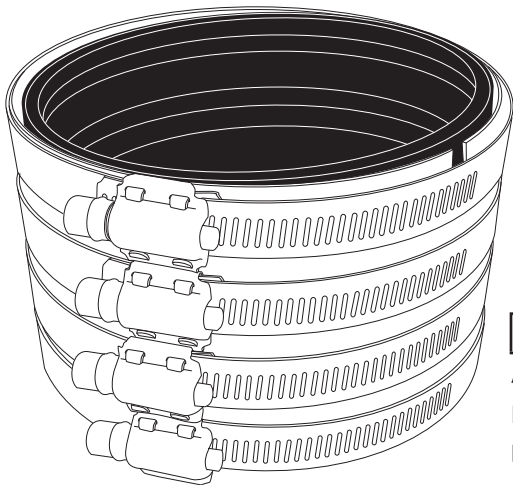
| PART NUMBER | SIZE        |
|-------------|-------------|
| PNHC-1.5    | 1-1/2"      |
| PNHC-2      | 2"          |
| PNHC-21.5   | 2" x 1-1/2" |
| PNHC-3      | 3"          |
| PNHC-32     | 3" x 2"     |
| PNHC-4      | 4"          |
| PNHC-42     | 4" x 2"     |

**INDUSTRY EQUALS**

|                |                 |
|----------------|-----------------|
| AB&I           | 62 series       |
| FERNCO         | NH series       |
| MISSION RUBBER | C series        |
| IDEAL CLAMP    | STANDARD series |
| TLYER PIPE     | 62 series       |

| PART NUMBER | SIZE    |
|-------------|---------|
| PNHC-43     | 4" x 3" |
| PNHC-5      | 5"      |
| PNHC-6      | 6"      |
| PNHC-8      | 8"      |
| PNHC-10     | 10"     |
| PNHC-12     | 12"     |

**Heavy Duty No-Hub Couplings**



- 304 Stainless steel band shield and screw
- Additional clamps provide better sealing and load distribution
- 5/16" Hex head screws
- Gaskets conform to ASTM C564
- 80 inch pound torque
- Non domestic manufacture

**Complies with:**

- CISPI 310-97
- ASTM C1540

**INDUSTRY EQUALS**

|                |                |
|----------------|----------------|
| AB&I           | SD-4000 series |
| FERNCO         | HD series      |
| MISSION RUBBER | C-HW series    |
| IDEAL CLAMP    | HD series      |

| PART NUMBER | SIZE   |
|-------------|--------|
| PNHC-1.5HD  | 1-1/2" |
| PNHC-2HD    | 2"     |
| PNHC-3HD    | 3"     |
| PNHC-4HD    | 4"     |
| PNHC-5HD    | 5"     |
| PNHC-6HD    | 6"     |
| PNHC-8HD    | 8"     |
| PNHC-10HD   | 10"    |
| PNHC-12HD   | 12"    |

Made in Taiwan



WARNING: Birth Defects, Reproductive Harm, and Cancer. www.p65warnings.ca.gov.