



All Stainless Steel Marine or Underground Hose Clamps

5/16" HEX HEAD SCREW

60000 SERIES

- Highly corrosion resistant



IAPMO Listed

PART NUMBER	BEST FITS HOSE ID
60006	3/8"
60008	3/8"
60010	5/8"
60012	3/4"
60016	1"
60020	1-1/4"
60024	1-1/2"
60028	1-3/4"
60032	2"
60036	2-1/4"
60040	2-1/2"
60044	2-3/4"
60048	3"
60052	3-1/4"

PART NUMBER	BEST FITS HOSE ID
60056	3-1/2"
60064	4"
60072	4-1/4"
60080	4-1/2"
60088	5"
60096	5-1/2"
600104	6"
600116	7-1/2"
600128	8-1/2"
600152	9-3/4"
600164	10"
600188	12"

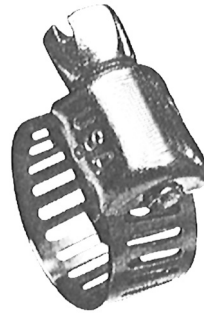
See page J-2 for max/min diameters

Miniature Clamps

1/4" HEX HEAD SCREW

60M00 SERIES

- Screw - 305 stainless. Band 300 series stainless. Housing 300 series stainless.
- Screw – 305 stainless steel
- Band 300 series stainless
- Housing 300 series stainless



PART NUMBER	BEST FITS HOSE ID
60M04	1/4"
60M05	3/8"
60M06	1/2"

Standard Hose Clamp Diameters

All manufacturers of hose clamps use the last two or three digits of their part number to indicate the size of that clamp. Although published diameter ranges may vary, the last digits remain constant and can be used to determine the size of any hose clamp.

LAST DIG OF #	MINIMUM INCHES	MAXIMUM INCHES
06	7/16"	25/32"
08	1/2"	29/32"
10	9/16"	1-1/16"
12	11/16"	1-1/4"
16	13/16"	1-1/2"
20	13/16"	1-3/4"
24	1-1/16"	2"
28	1-5/16"	2-1/4"
32	1-9/16"	2-1/2"
36	1-13/16"	2-3/4"
40	2-1/16"	3"
44	2-5/16"	3-1/4"
48	2-9/16"	3-1/2"

LAST DIG OF #	MINIMUM INCHES	MAXIMUM INCHES
52	2-13/16"	3-3/4"
56	3-1/16"	4"
64	3-9/16"	4-1/2"
72	1-7/8"	5"
80	2-1/2"	5-1/2"
88	3-1/8"	6"
96	3-5/8"	6-1/2"
104	4-1/4"	7"

MINI HOSE CLAMP DIAMETERS

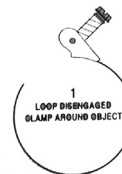
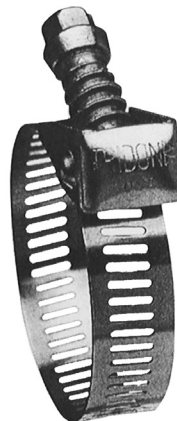
LAST DIG OF #	MINIMUM INCHES	MAXIMUM INCHES
04-05	1/4"	5/8"
06	5/16"	7/8"

Quick Release For Flexible Sewer Saddles

• 5/16" HEX HEAD SCREW

500 SERIES

- Screw - carbon steel, band 301 series stainless, housing carbon steel



PART NUMBER	BEST FITS HOSE ID
550248*	15-3/4"



Red Brass (Bronze) Pipe Fittings

Compliant

AB 1953

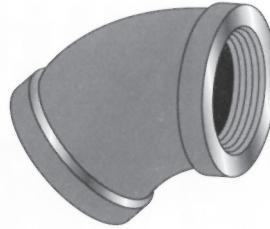
Threaded - 125 pound. **PASCO** Cast Bronze Fittings meet ANSI B16.15-1978 Specification for 125 Pound Thread Fittings

Couplings



PART NUMBER	SIZE
7101	1/4"
7102	3/8"
7103	1/2"
7104	3/4"
7105	1"
7106	1-1/4"
7107	1-1/2"
7108	2"

45° Elbows



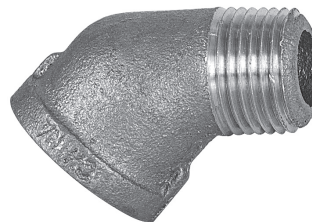
PART NUMBER	SIZE
7175	1/4"
7177	1/2"
7178	3/4"
7179	1"

Reduced Couplings



PART NUMBER	SIZE
7120	3/8" x 1/8"
7123	1/2" x 3/8"
7126	3/4" x 1/2"
7127	3/4" x 3/8"
7128	3/4" x 1/4"
7129	1" x 3/4"
7135	1-1/4" x 3/4"
7138	1-1/2" x 1-1/4"
7139	1-1/2" x 1"
7140	1-1/2" x 3/4"
7142	2" x 1-1/2"
7143	2" x 1-1/4"

45° Street Elbows



PART NUMBER	SIZE
7190	1/4"
7192	1/2"
7193	3/4"
7195	1-1/4"

Unions



PART NUMBER	SIZE
7164	3/8"
7165	1/2"
7166	3/4"
7167	1"
7168	1-1/4"
7169	1-1/2"
7170	2"




Red Brass (Bronze) Pipe Fittings

Compliant

AB 1953

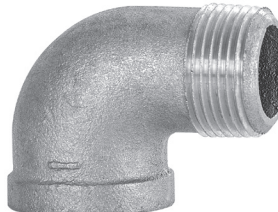
Threaded - 125 pound. **PASCO** Cast Bronze Fittings meet ANSI B16.15-1978 Specification for 125 Pound Thread Fittings

90° Elbows




PART NUMBER	SIZE
7206	3/8"
7207	1/2"
7208	3/4"
7209	1"
7210	1-1/4"
7212	2"

90° Street Elbows



PART NUMBER	SIZE
7248	1/4"
7249	3/8"
7250	1/2"
7251	3/4"
7252	1"
7255	2"

90° Reducing Elbows




PART NUMBER	SIZE
7223	1/2" x 3/8"
7226	3/4" x 1/2"
7229	1" x 3/4"

Extension Pieces




PART NUMBER	SIZE
7527	1/2"

Tees



PART NUMBER	SIZE
7261	3/8"
7262	1/2"
7263	3/4"
7264	1"
7267	2"

Reducing Tees



PART NUMBER	SIZE
7293	1/2" x 1/2" x 3/8"
7303	3/4" x 3/4" x 1/2"
7307	3/4" x 1/2" x 3/4"
7308	3/4" x 1/2" x 1/2"
7315	1" x 1" x 3/4"



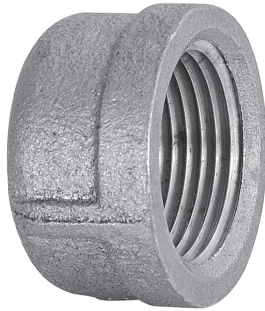
Red Brass (Bronze) Pipe Fittings

Compliant

AB 1953

Threaded - 125 pound. **PASCO** Cast Bronze Fittings meet ANSI B16.15-1978 Specification for 125 Pound Thread Fittings

Caps



PART NUMBER	SIZE
7404	1/8"
7405	1/4"
7406	3/8"
7407	1/2"
7408	3/4"
7409	1"
7410	1-1/4"
7411	1-1/2"

Square Head Plugs



PART NUMBER	SIZE
7421	1/4"
7422	3/8"
7423	1/2"
7424	3/4"
7426	1-1/4"
7427	1-1/2"

Drop Ear Elbow



1/2" CWT x 1/2" FPT

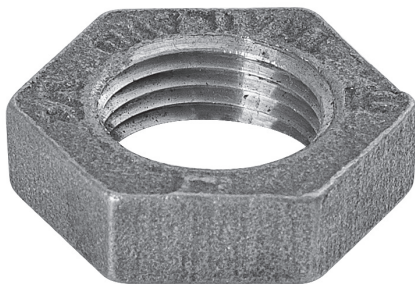
PART NUMBER
7590

Hex Bushings



PART NUMBER	SIZE
7436	1/4" x 1/8"
7437	3/8" x 1/4"
7439	1/2" x 3/8"
7440	1/2" x 1/4"
7442	3/4" x 1/2"
7444	3/4" x 1/4"
7446	1" x 3/4"
7447	1 x 1/2"
7448	1 x 3/8"
7449	1" x 1/4"
7451	1-1/4" x 1"
7452	1-1/4" x 3/4"
7453	1-1/4" x 1/2"
7457	1-1/2" x 1-1/4"
7458	1-1/2" x 1"
7459	1-1/2" x 3/4"
7460	1-1/2" x 1/2"
7464	2" x 1-1/2"
7466	2" x 1"
7467	2" x 3/4"
7468	2" x 1/2"

Locknuts



PART NUMBER	SIZE
7564	1/2"
7565	3/4"



Chrome Plated Red Brass Fittings

Compliant

AB 1953

Threaded - 125 pound. **PASCO** Cast Bronze Fittings meet ANSI B16.15-1978 Specification for 125 Pound Thread Fittings

Couplings



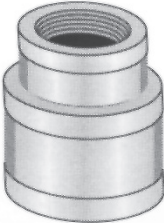
PART NUMBER	SIZE
7102-C	3/8"
7103-C	1/2"
7104-C	3/4"

90° Elbows



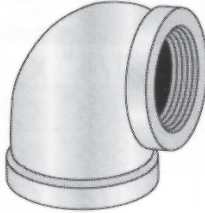
PART NUMBER	SIZE
7206-C	3/8"
7207-C	1/2"
7208-C	3/4"
7209-C	1"

Reducing Couplings



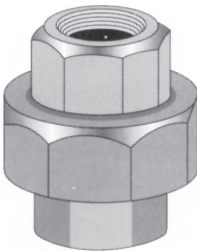
PART NUMBER	SIZE
7126-C	3/4" x 1/2"

90° Reducing Elbows



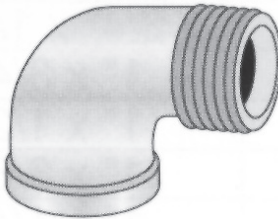
PART NUMBER	SIZE
7223-C	1/2" x 3/8"
7226-C	3/4" x 1/2"

Unions



PART NUMBER	SIZE
7164-C	3/8"
7165-C	1/2"
7166-C	3/4"

90° Street Elbows



PART NUMBER	SIZE
7249-C	3/8"
7250-C	1/2"
7251-C	3/4"
7252-C	1"



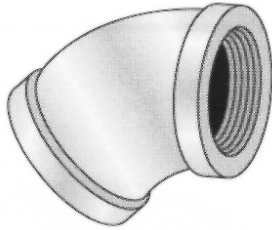
Chrome Plated Red Brass Fittings

Compliant

AB 1953

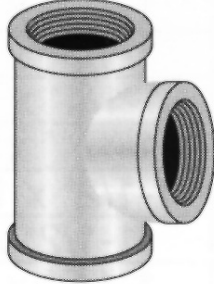
Threaded - 125 pound. **PASCO** Cast Bronze Fittings meet ANSI B16.15-1978 Specification for 125 Pound Thread Fittings

45° Elbows



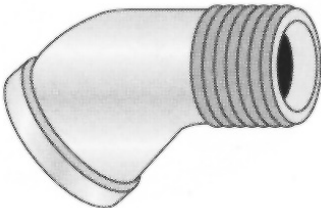
PART NUMBER	SIZE
7177-C	1/2"
7178-C	3/4"
7179-C	1"

Tees



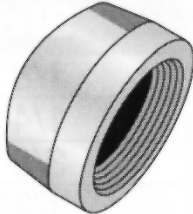
PART NUMBER	SIZE
7261-C	3/8"
7262-C	1/2"
7263-C	3/4"

45° Street Elbows



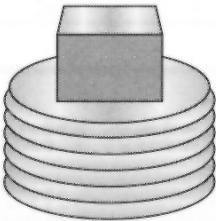
PART NUMBER	SIZE
7192-C	1/2"

Caps



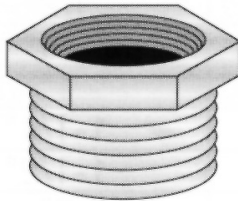
PART NUMBER	SIZE
7406-C	3/8"
7407-C	1/2"
7408-C	3/4"
7409-C	1"

Plugs



PART NUMBER	SIZE
7422-C	3/8"
7423-C	1/2"
7424-C	3/4"

Hex Bushings



PART NUMBER	SIZE
7437-C	3/8" x 1/4"
7439-C	1/2" x 3/8"
7440-C	1/2" x 1/4"
7442-C	3/4" x 1/2"
7446-C	1" x 3/4"

Red Brass Nipples and Chrome Plated Red Brass

C indicates chrome

Each nipple is cleaned of burrs and cutting oil and manufactured in accordance with ASTM B-687.



3/8" PART #	LENGTH
7734	CL
7735	1-1/2"
7736	2"
7737	2-1/2"
7738	3"
7740	4"
7741	4-1/2"
7742	5"
7744	6"

1/2" PART #	LENGTH
7751	CL
7752	1-1/2"
7753	2"
7754	2-1/2"
7755	3"
7756	3-1/2"
7757	4"
7758	4-1/2"
7759	5"
7760	5-1/2"
7761	6"
7763	8"
7765	10"
7767	12"

3/4" PART #	LENGTH
7768	CL
7769	1-1/2"
7770	2"
7771	2-1/2"
7772	3"
7773	3-1/2"
7774	4"
7775	4-1/2"
7776	5"
7777	5-1/2"
7778	6"

1-1/4" PART #	LENGTH
7802	CL
7804	2-1/2"
7806	3-1/2"
7807	4"

1" PART #	LENGTH
7785	CL
7786	2"
7787	2-1/2"
7789	3"
7790	3-1/2"
7791	4"
7792	4-1/2"
7793	5"
7795	6"
7797	8"

2" PART #	LENGTH
7834	CL
7836	3"
7838	4"
7840	5"

1-1/2" PART #	LENGTH
7818	CL
7819	2"
7820	2-1/2"
7821	3"
7822	3-1/2"
7823	4"
7824	4-1/2"
7827	6"

1" PART #	LENGTH
7785-C	CL
7786-C	2"
7789-C	3"
7791-C	4"
7793-C	5"
7795-C	6"

1/2" PART #	LENGTH
7751-C	CL
7752-C	1-1/2"
7753-C	2"
7754-C	2-1/2"
7755-C	3"
7756-C	3-1/2"
7757-C	4"
7758-C	4-1/2"
7759-C	5"
7760-C	5-1/2"
7761-C	6"
7763-C	8"
7765-C	10"
7767-C	12"

3/8" PART #	LENGTH
7734-C	CL
7735-C	1-1/2"
7736-C	2"
7737-C	2-1/2"
7738-C	3"
7740-C	4"
7742-C	5"
7744-C	6"

3/4" PART #	LENGTH
7768-C	CL
7769-C	1-1/2"
7770-C	2"
7771-C	2-1/2"
7772-C	3"
7773-C	3-1/2"
7774-C	4"
7775-C	4-1/2"
7776-C	5"
7777-C	5-1/2"
7778-C	6"

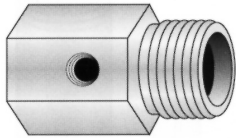


Brass Hose to Pipe Adapters

MHT = Male Hose Threads
MPT = Male Pipe Threads

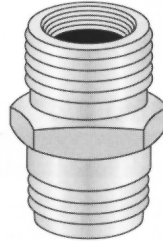
FHT = Female Hose Threads
FPT = Female Pipe Threads

Evaporative Cooler Adapter



PART NUMBER	FPT	MPT	FPT SIDE TAP
7-3098	1/2"	1/2"	1/8"
7-30912	3/4"	3/4"	1/8"

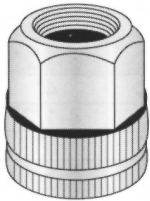
Male Hose - Male Pipe



Tapped 1/2" FPT inside
3/4" MPT.

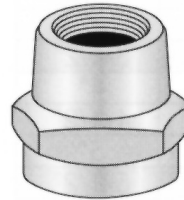
PART NUMBER	MHT	MPT
2140	3/4"	3/4"

Female Swivel



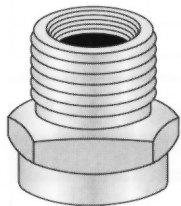
PART NUMBER	FHT SWIVEL	FPT
2141	3/4"	1/2"
2142	3/4"	3/4"
2154	3/4"	1/2" MPT

Female Hose - Female Pipe



PART NUMBER	FHT	FPT
2147	3/4"	1/2"
2148	3/4"	3/4"

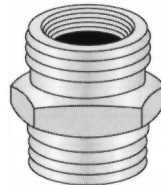
Female Hose - Male Pipe



Tapped 1/2" FPT inside
3/4" MPT.

PART NUMBER	FHT	MPT
2150	3/4"	3/4"

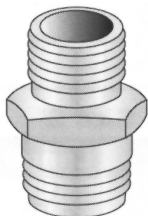
Male Hose (both ends) - Female Pipe



One end tapped 1/2" FPT.

PART NUMBER	MHT	FPT
2151	3/4"	1/2"

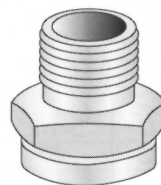
Male Hose - Male Pipe



The 1/2" copper connection is inside
the 1/2" MPT.

PART NUMBER	MHT	MPT	FEMALE COPPER SWEAT
2143	3/4"	1/2"	1/2"

Female Hose - Male Pipe



The 1/2" copper connection is inside
the 1/2" MPT.

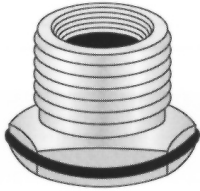
PART NUMBER	FHT	MPT	FEMALE COPPER SWEAT
2144	3/4"	1/2"	1/2"

Brass Hose to Pipe Adapters

MHT = Male Hose Threads
MPT = Male Pipe Threads

FHT = Female Hose Threads
FPT = Female Pipe Threads

Evaporative Cooler Drain



With washer and locknut

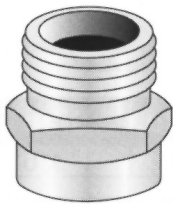
PART NUMBER	MHT	FPT
2145	3/4"	1/2"

Hose Wye - Female Hose - Male Hose



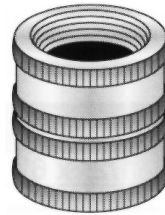
PART NUMBER	MHT	MHT	FHT
2156	3/4"	3/4"	3/4"

Male Hose - Female Pipe



PART NUMBER	MHT	FPT
2146	3/4"	3/4"

Dual Swivel - Female Hose



PART NUMBER	FHT	FHT
2153	3/4"	3/4"

Hose Cap

Supplied with washer



PART NUMBER	FHT
2152	3/4"

Hose Cap with Chain

Supplied with washer



PART NUMBER	FHT
2159	3/4"



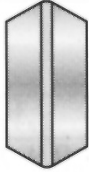
Brass Flare & Compression Fittings

Compliant

AB 1953

60 Series

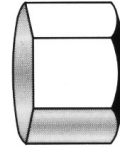
Brass Compression Sleeve



PART NUMBER	SIZE
7-604	1/4"
7-606	3/8"
7-6010	5/8"

61-C Series

Compression Cap/Short Compression Nut

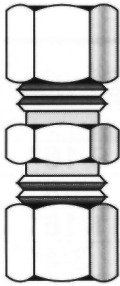


*Short Nut

PART NUMBER	SIZE
7-61C4	1/4"
7-61C6	3/8"
*7-614	1/4"
*7-616	3/8"

62 Series

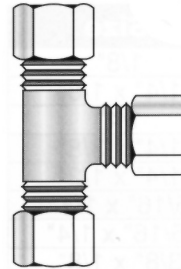
Compression Union



PART NUMBER	SIZE
7-624	1/4"
7-626	3/8"
7-6264	3/8" x 1/4"
7-628	1/2"
7-6286	1/2" X 3/8"
7-6210	5/8"
7-6214	7/8"
7-62106	5/8" X 3/8"

64 Series

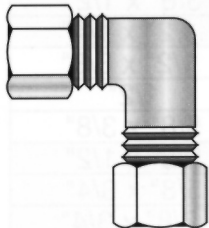
Compression Tees



PART NUMBER	SIZE
7-644	1/4"
7-646	3/8"
7-6410	5/8"

65 Series

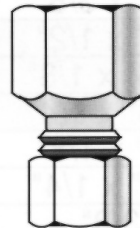
Compression 90° Ell



PART NUMBER	SIZE
7-656	3/8"

66 Series

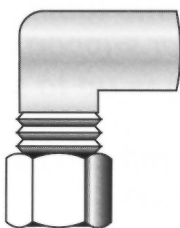
Compression x FIP Coupling



PART NUMBER	SIZE
7-6666	3/8"
7-6668	3/8" x 1/2"
7-6688	1/2"
7-66108	5/8" x 1/2"

70 Series

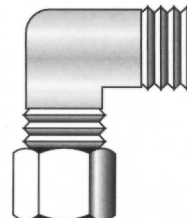
Compression x FIP 90° Ell



PART NUMBER	SIZE
7-7068	3/8" x 1/2"

69 Series

Compression x MIP 90° Ell



PART NUMBER	SIZE
7-6964	3/8" x 1/4"
7-6966	3/8"
7-6968	3/8" x 1/2"



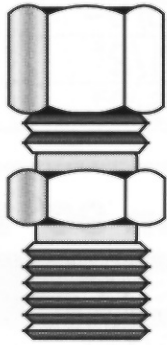
Brass Flare & Compression Fittings

Compliant

AB 1953

68 Series

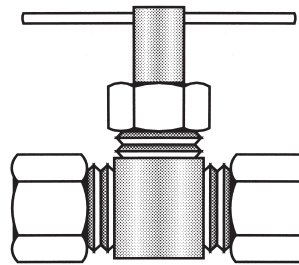
Compression x MIP Coupling



PART NUMBER	SIZE
7-6842	1/4" x 1/8"
7-6844	1/4"
7-6846	1/4" x 3/8"
7-6848	1/4" x 1/2"
7-6864	3/8" x 1/4"
7-6866	3/8"
7-6868	3/8" x 1/2"
7-6888	1/2"
7-68106	5/8" x 3/8"
7-68108	5/8" x 1/2"
7-681012	5/8" x 3/4"
7-681412	7/8" x 3/4"

78 Series

Compression x Compression Needle Valve



PART NUMBER	SIZE
7-7834	1/4"
7-7836	3/8"

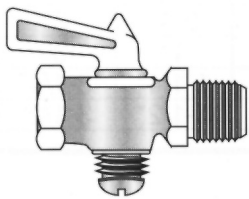
Spring Bottom Brass Shut-Off Valves

Small Diameters - Rated 30 PSIG

Features:

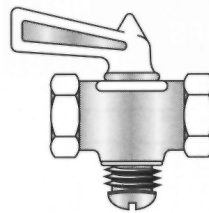
- Instantaneous On/Off operation
- Forged brass body
- 360° rotation standard for water
- Oil and air systems
- 40° to 250°F
- Highest quality valve of its kind

Female x Male Pipe



PART NUMBER	FPT	MPT
7901	1/4"	1/4"

Female x Female Pipe



PART NUMBER	FPT	FPT
7907	1/4"	1/4"

Do not use with liquified petroleum, natural gas, oxygen or similar explosive or combustible mediums.



Steel Male x Compression Couplings

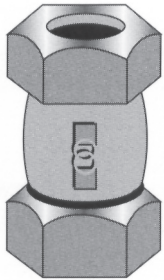
These couplings are intended for temporary repair on cold water lines.
Do not use on hot water, steam, oxygen, petroleum or similar explosive or combustible mediums.
No pressure rating.



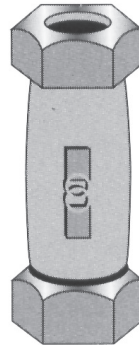
PART NUMBER	IPS
2950	1/2"
2951	3/4"

Steel Compression Couplings

These couplings are intended for temporary repair on cold water lines.
Do not use on hot water, steam, oxygen, petroleum or similar explosive or combustible mediums.
No pressure rating.



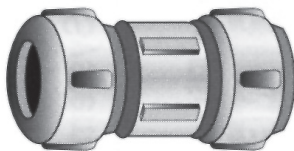
PART NUMBER	IPS	LENGTH
2900	1/2"	2-5/8"
2901	3/4"	2-3/4"
2902	1"	3-1/8"
2903	1-1/4"	3-1/4"
2904	1-1/2"	3-3/8"
2905	2"	3-5/8"



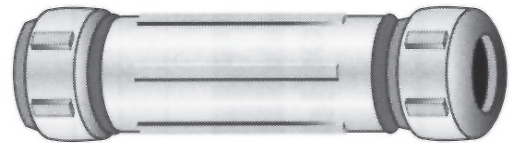
PART NUMBER	IPS	LENGTH
2908	1/2"	3-3/4"
2909	3/4"	4"
2910	1"	4-1/4"
2911	1-1/4"	4-3/4"
2912	1-1/2"	5"
2913	2"	5-3/8"

Brass Compression Couplings

These couplings are intended for temporary repair on cold water lines.
Do not use on hot water, steam, oxygen, petroleum or similar explosive or combustible mediums.
Maximum operating pressure is 125 PSI



PART NUMBER	CWT	IPS	LENGTH
2916	1/2"	3/8"	2-9/16"
2917	3/4"	1/2"	2-3/4"
2918	1"	3/4"	3"
2919	1-1/4"	1"	3"
2920	1-1/2"	1-1/4"	3-1/4"



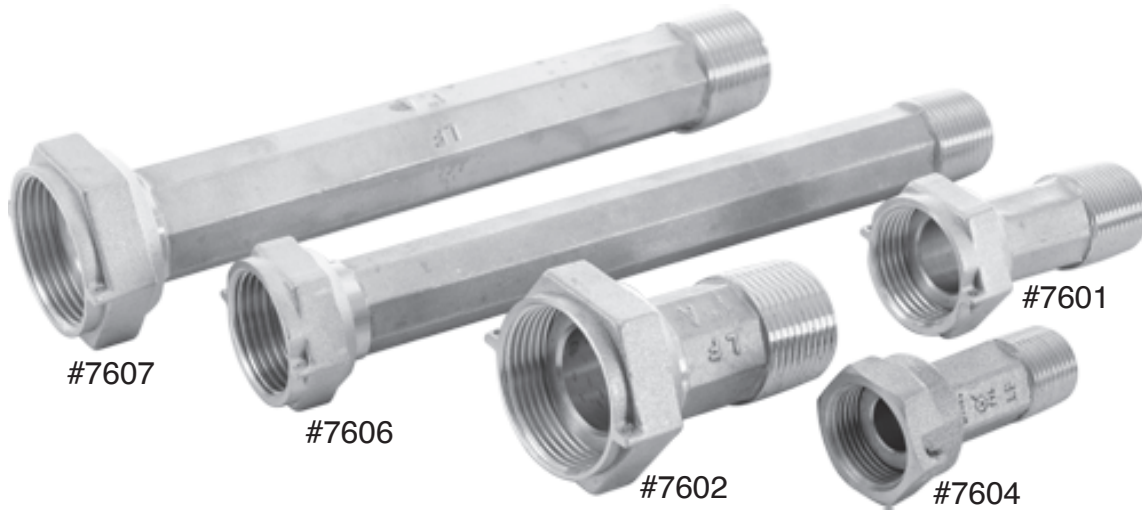
PART NUMBER	CWT	IPS	LENGTH
2921	1/2"	3/8"	5"
2922	3/4"	1/2"	5"
2923	1"	3/4"	5"
2924	1-1/4"	1"	5"
2925	1-1/2"	1-1/4"	5"
2926	2"	—	5"
2929	—	1-1/2"	5"
2930	—	2"	5"

Pressure rating of 125 PSI

Red Brass Water Meter Couplings

Compliant 

AB 1953



Sold individually w/ washers

PART NUMBER	FEMALE INLET	MALE INLET	LENGTH
7604	5/8"	1/2"	2.60"
7601	1"	3/4"	2.60"
7606	1"	3/4"	8.50"
7602	1-1/4"	1"	2.60"
7607	1-1/4"	1"	8.50"

Washers Only

PART NUMBER	SIZE
7603	5/8"
7608	1"
7609	1-1/4"

Dielectric Unions - Steel



PART NUMBER	SIZE
2592	1/2"
2598	1-1/2"
2599	2"

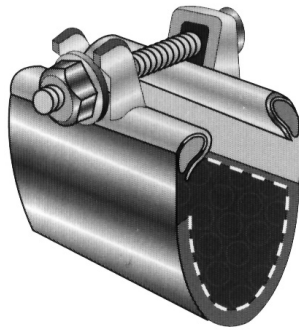


Stainless Steel Repair Clamps

Stainless Steel Band, Neoprene Gaskets, Plated Steel Bolt, Nut & Washer. Temporarily Repairs Split Pipe
Fits Steel, Galvanized, and Copper

One Bolt Type

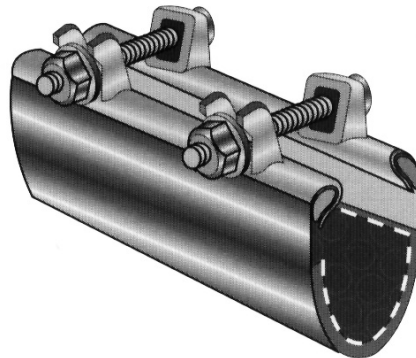
3" Length



PART NUMBER	IPS
2660	1/2"
2661	3/4"
2662	1"
2663	1-1/4"
2664	1-1/2"
2665	2"
2666	2-1/2"
2667	3"
2669	4"

Two Bolt Type

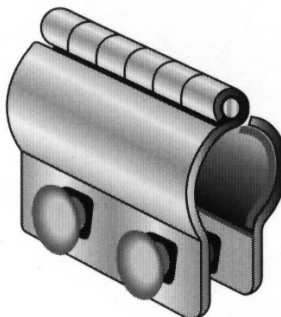
6" Length



PART NUMBER	IPS
2674	1/2"
2675	3/4"
2676	1"
2677	1-1/4"
2678	1-1/2"
2679	2"
2680	2-1/2"
2681	3"
2683	4"

Repair Clamps

- Hinge Type-Economical
- Plated steel, supplied with gasket



PART NUMBER	IPS
1680	1/2"
1681	3/4"
1682	1"