



Commercial-Restaurant Quality - Specification Grade
Contemporary Design • Individually Pressure Tested

Heavy Duty - Wall Mount - 8" Centers

- Chrome plated brass
- 1/2" FPT Inlets
- Twin seal chrome plated brass tubular swing spout
- 55/64" Female water saver aerator
- Color coded handles
- Full flow with a quarter turn of the handle



PART NUMBER	SPOUT LENGTH	ADJUSTS
33006	6"	7-1/2" to 8-1/2"
33008	8"	
33010	10"	
33012	12"	
33014	14"	

330 Series stems
33027 Cold stem
33028 Hot stem
33029 Handles



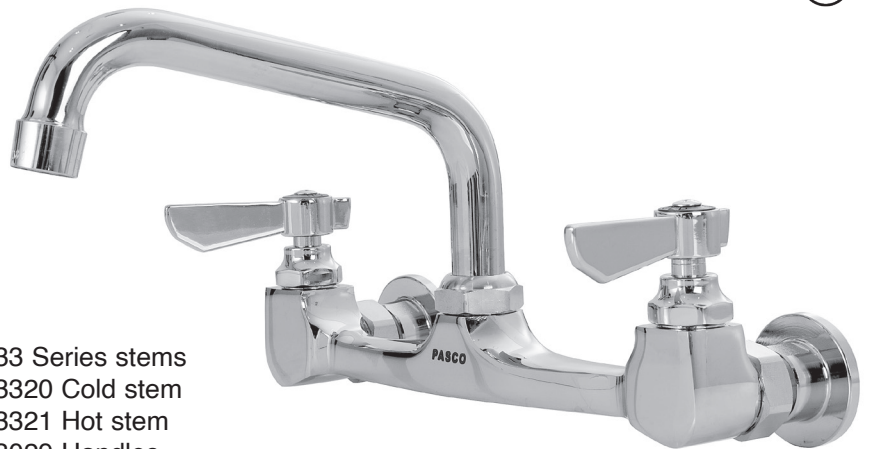
Medium Duty - Wall Mount - 8" Centers

- Chrome plated brass
- 1/2" FPT Inlets
- Twin seal chrome plated brass tubular swing spout
- 55/64" Female water saver aerator
- Color coded handles



PART NUMBER	SPOUT LENGTH	ADJUSTS
33306	6"	7-1/2" to 8-1/2"
33308	8"	
33310	10"	
33312	12"	
33314	14"	

333 Series stems
33320 Cold stem
33321 Hot stem
33029 Handles



Compliant: Lead Leaching AB 100 Low Lead AB 1953

Highest Quality • Durable • Reliable • Economical

Medium Duty - Deck Mount - 4" Centers - Sink or Laundry Tray

- Chrome plated brass
- 1/2" FPT inlets
- Satin finished brass water ways
- 55/64" Female water saver aerator
- Twin Seal chrome plated brass tubular swing spout



331 Series Stems
33160 - Set of Handles

PART NUMBER	SPOUT LENGTH
33151	6" Gooseneck
33152	6"
33153	8"
33154	10"
33155	12"



Medium Duty - Wall Mount - 4" Centers

- Chrome plated brass
- 1/2" FPT inlets
- Satin finished brass water ways
- 55/64" Female water saver aerator
- Twin Seal chrome plated brass tubular swing spout



331 Series Stems
33160 - Set of Handles

PART NUMBER	SPOUT LENGTH
33161	6" Gooseneck
33162	6"
33163	8"
33164	10"
33165	12"



Compliant: Lead Leaching AB 100 Low Lead AB 1953



Commercial Faucet Replacement Parts

Heavy Duty Swing Spout

- Twin Seal -Tubular
- Chrome plated brass
- 55"/64" Female water saver aerator



PART NUMBER	LENGTH
33808	8"
33812	12"
33814	14"

Heavy Duty Gooseneck Spout

- Twin Seal -Tubular -
- Chrome plated brass
- 55"/64" Female aerator



PART NUMBER	LENGTH
33831	6"

Replacement Handles

- 20 Spline - Cold or Hot, Sold by the each



Sold Individually with red or blue indicator disks

PART NUMBER
33029

Replacement Handles

- Hot/Cold handles fit 331 Series Faucets



PART NUMBER
33160

Stems with Handles

- Fits T&S
- For 330 series



PART NUMBER	TYPE
33027-A	Cold
33028-A	Hot

Female Supply Inlet Couplings

- Chrome plated brass - 1/2" FPT inlets
- 33350 and 33352 fit heavy duty wall mount faucets
- 33351 fits moderate duty wall mount faucets



PART NUMBER	FITS	ADJUSTS
33350	Heavy Duty	7-1/2" to 8-1/2"
33351	Medium Duty	7-1/2" to 8-1/2"
33352	Heavy Duty	4-1/2" to 12-1/2" with stops

Replacement Stems



330 Series



331 Series



333 Series



PART NUMBER	FITS FAUCET SERIES	TYPE	DESCRIPTION
33027*	330	Cold	Quarter turn
33028*	330	Hot	Quarter turn
33158	331	Cold	Quarter turn
33159	331	Hot	Quarter turn
33320	333	Cold	Quarter turn
33321	333	Hot	Quarter turn

*Fits T&S

Compliant: Lead Leaching AB 100



Low Lead AB 1953





Special Duty Commercial Faucets

Highest Quality • Durable • Reliable • Economical

Service Sink Faucets - 8" Centers - 8" Spout

- Integral check stems
- 1/2" FPT inlets
- Satin chrome plated brass
- 3/4" Male hose thread on spout
- Chrome plated brass hinged wall support
- 7-1/2" to 8-1/2" Wall centers

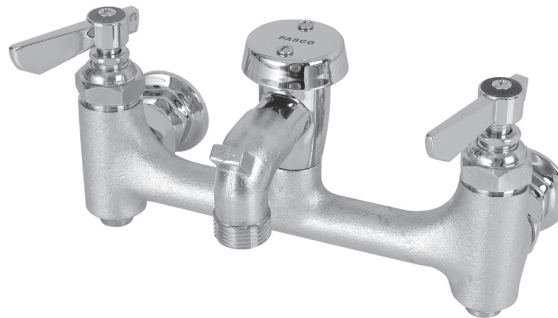


- 330 Series Stem
- 33029 Hot/Cold Handles
- 33102 Vacuum Breaker Replacement Kit, includes Slide and Insert

PART NUMBER
33110

Service Sink Faucets - 8" Centers - 2-1/2" Spout

Same features as above model, with the exception of no hinged wall support.



- 330 Series Stem
- 33029 - Handles

PART NUMBER
33109

Reinforced Rubber Mop Sink Hoses

- 3/4" female hose thread
- 36" braided hose
- 2 Lengths



PART NUMBER	LENGTH
489	3'
491	6'



Mop Sink Hose with Mop Hanging Bracket

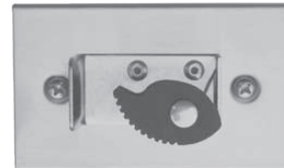
- 3/4" female hose thread
- Cam action wall bracket to hold hose



PART NUMBER	LENGTH
490	3'
492	6'

Mop Sink Hose Bracket

- Cam action wall bracket to hold hose
- With mounting screws



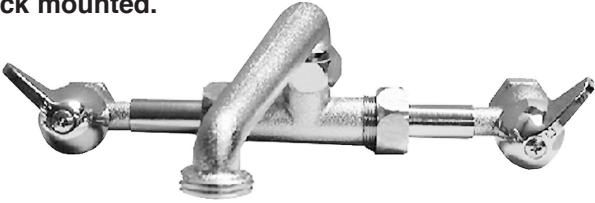
PART NUMBER
488



Sink or Laundry Tray Faucet 7-1/2" to 9-1/2" Adjustment

This popular utilitiy faucet can now be wall mounted or deck mounted.

- Replaces Price Pfister Beverly laundry tray faucet
- 7-1/2" to 9-1/2" wall adjustment
- Chrome plated brass
- 5-1/2" male hose thread spout
- Inlet bodies screw directly onto 1/2" IPS inlet nipples
- Easily adapts to a wide variety of installations



Remove hot side inlet and rotate 90° to change faucet to a deck mount.



PART NUMBER
69120

Deck - Patio - Pool - Campground Exposed Shower

- Economical, yet ruggedly constructed for outdoor installations.
- Wall mount
- Chrome Plated Brass
- 7" to 9-1/2" wall adjustment
- Adjustable low flow showerhead
- 6" Adjustable Wall Bracket
- Cross Handles
- 24" Riser
- 1/2" IPS Female Inlets



PART NUMBER
67252



Commercial Pre-Rinse Assemblies

Chrome Plated Brass • Built for Rugged Use

Wall Mount - 8" Centers

- Metal handle - plastic grip spray
- 1/2" FPT inlets
- 3/8" IPS X 24" Chrome plated brass riser
- 38" Stainless steel hose
- 12" Wall bracket
- Food service grade



330 Series Stem
33029 - Handles

Interchanges
with T&S

PART NUMBER	ADJUSTS
33013	7-1/2" to 8-1/2"

**Wall Mount - 8" Centers -
Add on Faucets**

- Metal handle - plastic grip spray
- 1/2" FPT inlets
- 3/8" IPS X 24" Chrome plated brass riser
- 38" Stainless steel hose
- 12" Wall bracket
- Food service grade



330 Series Stem
33029 - Handles

Interchanges
with T&S

PART NUMBER	WITH ADD ON FAUCET	ADJUSTS
33013-6	6" Spout	7-1/2" to 8-1/2"
33013-10	10" Spout	

Compliant:

Lead Leaching AB 100



Low Lead AB 1953





Pre-Rinse Spray Assembly Parts

Pre-Rinse Hoses

- Flexible stainless steel
- Food grade inner hose withstands continuous working temperature



PART NUMBER	LENGTH
33044	38"
33060	54"

Pre-Rinse Spray Cartridge

Chrome plated brass



PART NUMBER
33019

Replaces T & S

Pre-Rinse Add On Faucet

- Connects to 3/8" pre-rinse riser
- Chrome plated brass
- 3/8" X 2-3/4" MIP inlet
- Fits all manufacturers



330 Series Stem sold separately



PART NUMBER	SPOUT LENGTH
33614-6	6"
33614-10	10"

Pre-Rinse Wall Bracket & Riser Hook

Chrome plated brass



PART NUMBER	DESCRIPTION
33025	12" Wall bracket fits 3/8" riser
33026	3/8" Riser hook

Pre-Rinse Spray



- Chrome plated brass
- Metal handle - plastic grip
- Connects directly to hose
- High pressure wash
- Positive shut off
- Stay ring included



PART NUMBER	DESCRIPTION
33018	Complete unit
33021	Spray face only

Replaces T & S

Pre-Rinse Spring - Riser Nipple & Spring Coupling

Spring shortened for photo



PART NUMBER	DESCRIPTION
33022	L-Spring, 1-1/2" diameter
33023	3" Spring coupling Chrome plated brass 3/8" coarse thread x 3/8" FIP
33024	3/8" x 24" CP brass riser nipple*

*not pictured

Compliant: Lead Leaching AB 100

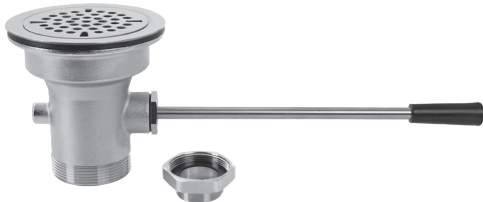
Low Lead AB 1953




Lever or Twist Commercial Sink Drain

Plated brass body, stainless steel handle, stainless steel strainer, nickel plated brass stopper.
Replaces Franklin, Klein, Chicago Faucet, T&S, Krowne

Lever or Twist Handle Sink Drain without Overflow




PART NUMBER	SINK OPENING	DRAIN CONNECTION
33123	3-1/2"	1-1/2" or 2"




PART NUMBER	SINK OPENING	DRAIN CONNECTION
33127	3-1/2"	1-1/2" or 2"

Lever or Twist Handle Sink Drain with 1-1/4" Overflow Outlet




PART NUMBER	SINK OPENING	DRAIN CONNECTION
33125	3-1/2"	1-1/2" or 2"




PART NUMBER	SINK OPENING	DRAIN CONNECTION
33146	3-1/2"	1-1/2" or 2"

• A blind cap is also supplied if overflow is not used

Lever or Twist Handle Sink Drain with 1-1/4" Overflow Outlet



PART NUMBER	SINK OPENING	DRAIN CONNECTION
33120	3"	1-1/2" or 2"



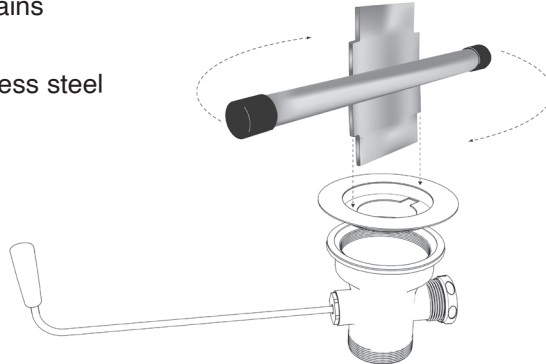
PART NUMBER	SINK OPENING	DRAIN CONNECTION
33124	3"	1-1/2" or 2"

• A blind cap is also supplied if overflow is not used



Stainless Steel Commercial Sink Drain Tool

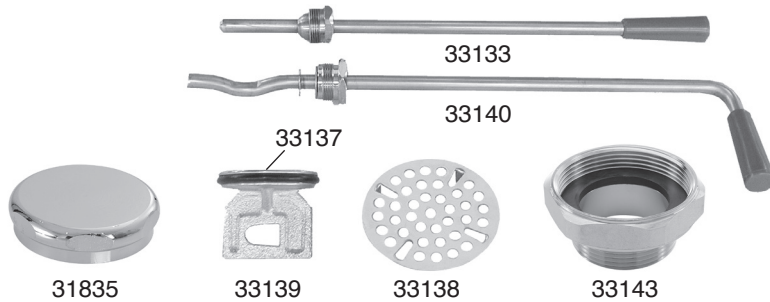
- Removes Lever & Twist Drains
- Fits 3" & 3-1/2" drains
- Constructed from 304 stainless steel
- Drain Sold Separately



PART NUMBER	Description
7093	Stainless Steel
7091	Black Plastic

Lever & Twist Commercial Sink Drain - Replacement Parts

Handles and strainer are stainless steel. Drain body and stopper are nickel plated brass



PART NUMBER	DESCRIPTION
33133	Lever Handle
33137	O-Ring for Stopper
33138	3-1/2" Strainer
33139	Stopper with O-Ring
33140	Twist Handle
33143	2" x 1-1/2" Slip Joint Drain Reducer Bushing*
31835	1-1/4" Blind Cap CP

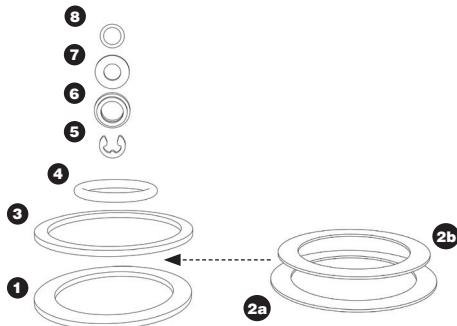
Commercial Sink Overflow

- Chrome plated brass
- 1-1/4" x 14" x 18" Tube
- 1-1/4" Satin chrome plated elbow
- Stainless steel overflow strainer & screw



PART NUMBER	DESCRIPTION
33141	Strainer with 1-1/4" ELL
33142	1-1/4" x 14" x 18" brass overflow elbow for slip joint connection
33147	Complete unit as shown

Twist Lever Drain Washer Repair Kit



1	Rubber washer for 3" drain
2a	Teflon handle gasket for 3-1/2" drain
2b	Teflon handle gasket for 3" drain
3	Rubber washer for 3-1/2" drain
4	Rubber o-Ring for stopper
5S	.S. #304 1 c-clip
6	Plastic washer for handle
7S	.S. #304 washer for handle
8	Rubber small o-ring

PART NUMBER
33150

Commercial Faucets



Self-Closing Lavatory Faucets - Heavy Duty

New Design

- Star or lever handle
- Vandal proof cap and aerator
- Chrome plated brass
- 1/2" IPS shank
- Low flow aerator
- Complete with locknut and rosette
- **Not for sale in California**



PART NUMBER	HANDLE STYLE
21931	Star
21932	Lever

Self-Closing Wall Faucets - Heavy Duty

New Design

- Star or lever handle
- Vandal proof cap
- No aerator
- Chrome plated brass
- 1/2" FPT inlet
- **Not for sale in California**



PART NUMBER	HANDLE STYLE
21936	Star
21937	Lever

Quarter Turn Lavatory Faucet

Not self-closing

- Plumbers Quality
- Chrome plated brass
- Low flow aerator
- Hot or cold cross handle
- 1/2" IPS shank
- Complete with locknut and rosette
- **Not for sale in California**



PART NUMBER	HANDLE
21805	Hot
21806	Cold

Soap Dispenser

THROUGH THE COUNTER

- 2" Spout 10" Length
- Chrome plated brass pump
- Mounts through counter
- Unbreakable poly bottle
- Holds 7 oz.



PART NUMBER	DESCRIPTION
2042	Complete Dispenser
2042-B	Bottle Only



Self-Closing Drinking Fountain

- 1/2" FPT
- Chrome plated brass
- Flow regulator screw
- Cross handle
- Precision ball bearing actions



PART NUMBER	FPT
2190	1/2"
2190-RK	Repair Kit

Push Button Drinking Fountain

- 3/8" FPT
- Chrome plated brass
- Lead-free cartridges
- Replaces
HAWS
HW5010



PART NUMBER	DESCRIPTION
2194	Bubbler w/lead free cartridge
2195	Nylon replacement cartridge
2195-SS	All stainless steel replacement cartridge

Push Button Drinking Fountain Retro Fit Kit

Replaces fountains on china fixtures

Kit contains:

- # 2194 Chrome plated brass bubbler head with lead-free cartridges
- 1/2" x 3/8" x 3-1/2" inlet nipple
- Polished flange
- Rosette & locknut
- 1-3/4" cockhole cover



PART NUMBER	DESCRIPTION
2197	Retro-fit Kit
1270	Polished flange only
2187	Brass nipple only
2197-K	Repair kit contains all the above except 2194 Bubbler



Replacement Parts For Drinking Fountains

for part numbers:

- 2194
- 2197



2194-1



2194-3



2194-2



2194-M

PART NUMBER	DESCRIPTION
2194-1	Chrome collar for button
2194-2	Chrome push button
2194-3	Cartridge retention bushing
2194-M	Mouthpiece set

Compliant:

Lead Leaching AB 100



Low Lead AB 1953



Pure Flow Drinking Fountain Replacement Cartridges

- The simple yet durable design allows thousands of on/off cycles
- Fits similar style of fountains like our 2194
- Easily Adjusted



Replaces:
 HAW VRK5010
 HALSEY-TAYLOR 15010
 TOMLINSON 1016337



2195



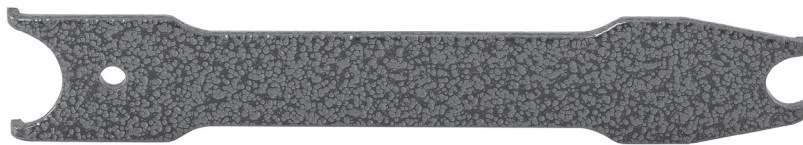
2195-SS

To adjust water flow, use the "Serrated Dial Counter." DO NOT USE A SCREWDRIVER. Position the dial turning clockwise to decrease water flow. To increase water flow, turn the dial in a counter clockwise direction. Note the position of the notch on the dial (if turned past 180° the water flow will start to decrease.)

PART NUMBER	DESCRIPTION
2195	Nylon
2195-SS	Stainless Steel

Fountain Bushing & Valve Wrench 2-in-1 Tool

- Tightens or loosens cartridge retaining bushing
- Prevents bushing thread damage which causes leaks



PART NUMBER
7047

Compliant: Lead Leaching AB 100 Low Lead AB 1953



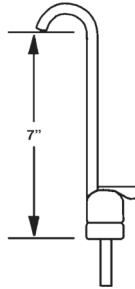
Glass Fillers - 3 Styles

- Chrome plated brass
- 1/4" or 3/8" compression coupling

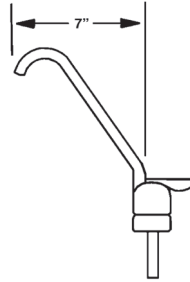
The Original



Tall Spout



Long Reach



PART NUMBER	DESCRIPTION
2040	Original - 1/4"
2041	Original - 3/8"
2040-TS	Tall Spout - 1/4"
2040-LR	Long Reach - 1/4"
2040-C	3/8" Compression Coupling

Self-Closing Valve

- Chrome plated brass
- 1/2" FPT x 1/2" FPT



PART NUMBER
2192

Remote Push Button Valve

- Superior quality
- Chrome plated brass button and escutcheon
- 1/4" FPT
- Lead-free cartridge



PART NUMBER
2179

Self-Closing Shower Valve

- Chrome plated brass
- 1/2" FPT inlet and outlet



PART NUMBER
2193

Compliant: Lead Leaching AB 100 Low Lead AB 1953