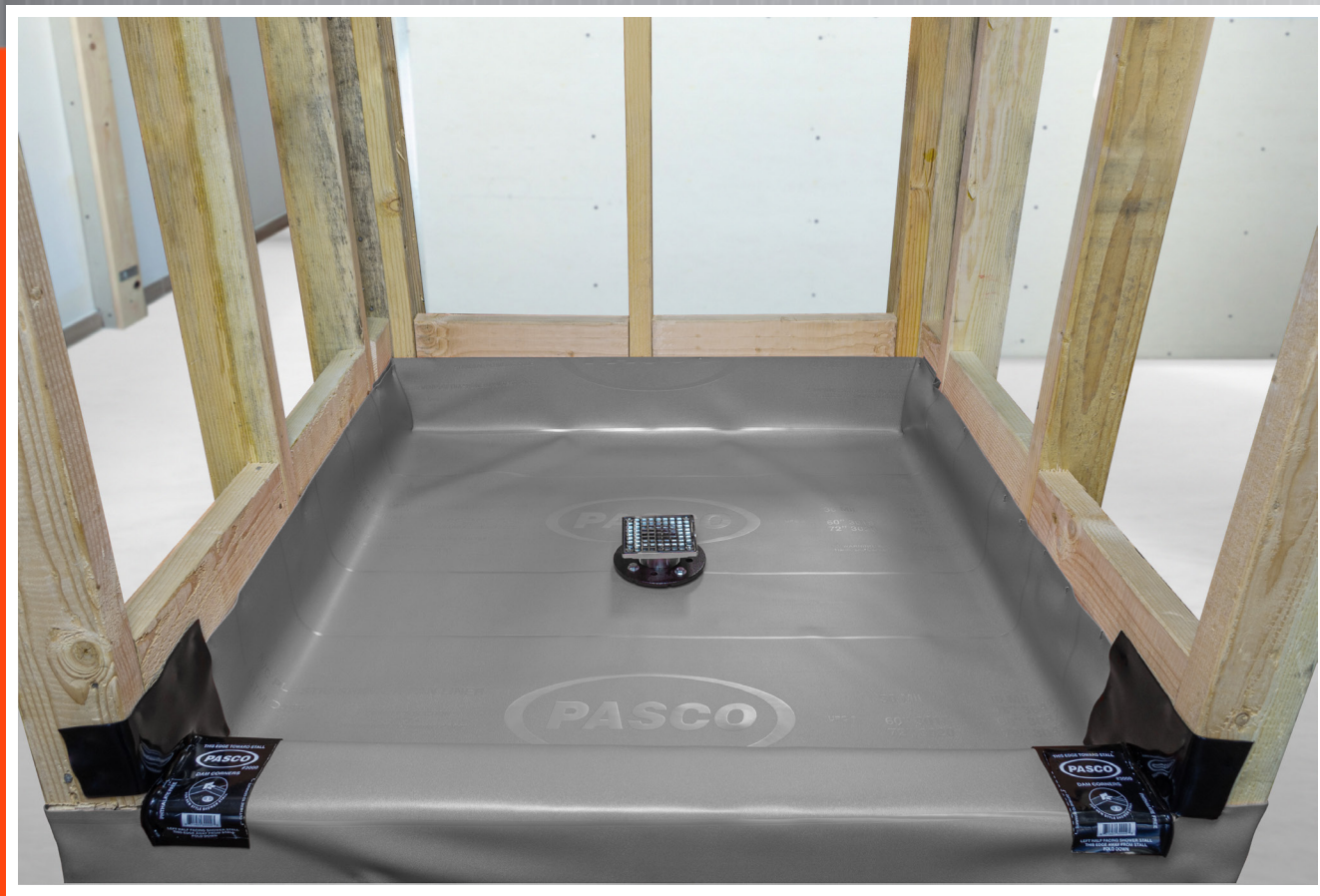




**SMART PLUMBING  
STARTS HERE!**

**GRAY SHOWER PAN LINER**



**Shower Pan Liner**  
Since 1965



## VINYL SHOWER PAN LINER

In 1965 **PASCO** was the first company to introduce a plastic shower pan liner for ceramic tile showers. Since that time, over 45,000,000 square feet of our shower pan liner has protected hundreds of thousands of ceramic tile showers.

We led our industry in developing a nationally recognized product standard for shower pan liner. Furthermore, we led the way in developing and implementing the installation standards for the plumbing code bodies throughout the United States.

**PASCO** Vinyl Shower Pan Liner has served and continues to serve the plumbing trade like no other product.



40 Mil Gray Vinyl Shower Pan Liner

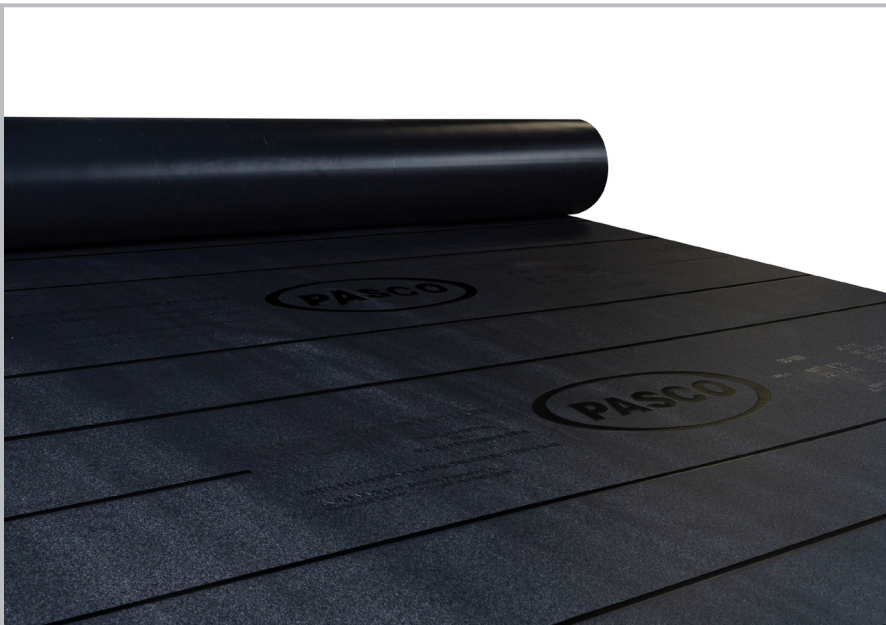


IAPMO Listed

PART NUMBER	WIDTH	LENGTH
3045	48"	80 Ft.
3047	60"	
3049	72"	

PART NUMBER	WIDTH	LENGTH
3047-40	60"	40 Ft.
3049-40	72"	

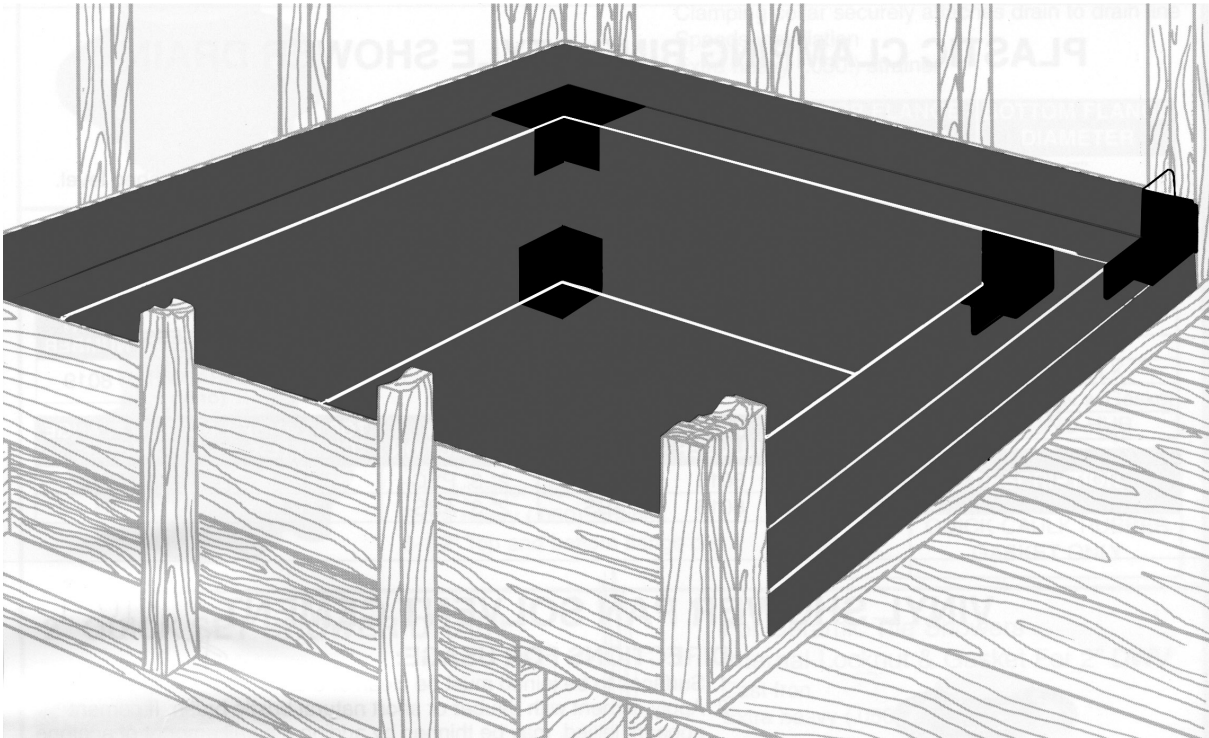
30 Mil Black Vinyl Shower Pan Liner



IAPMO Listed

PART NUMBER	WIDTH	LENGTH
3018	60"	80 Ft.
3020	72"	

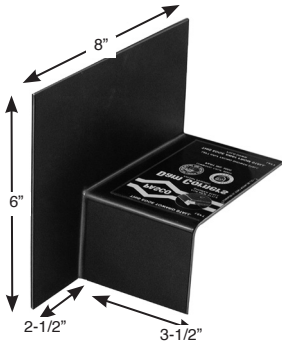




This type of installation will probably never exist. It is to illustrate all the corner applications.

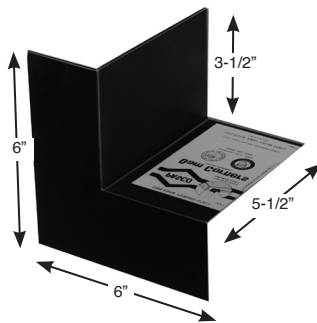
## PRE-FAB CORNERS

# 3000



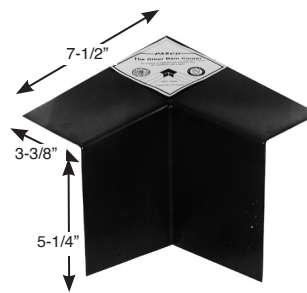
**Flush Dam Corner**  
Use where a flat wall or stall backing board meets a dam at a 90° angle.

# 3002



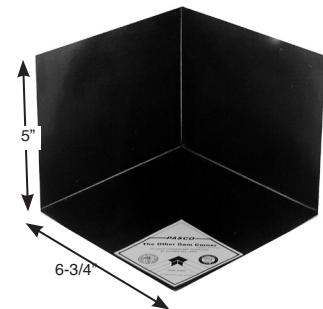
**Return Dam Corner**  
Use where wrap-around protection is necessary.

# 3003



**Top Dam Corner**  
Use where a wide 90° top corner of a two dam stall or roman tub meet.

# 3005



**Inside Corner**  
For deep tubs. Prevents folded pan buildup in corners.



### Vinyl Shower Pan Cement



**DIRECTIONS FOR USAGE:**

1. Surfaces to be joined must be clean and dry.
  2. Apply cement with dauber or short natural bristle brush. If cement appears jellied, it may be thinned by adding a small amount of acetone.
  3. To join sheets allow a 4" minimum overlap. Apply a thin even coat of cement to both surfaces to be joined. The entire surface of material to be joined must be covered with cement. Apply the cement to short lengths of material, not to exceed 3' at a time.
  4. Join cemented surfaces as quickly as possible before cement dries. For seams exceeding 6' in length, use a weighted, smooth flooring roller to facilitate bonding material.
  5. Apply a wide bead of cement to the entire length of the overlap. If material has been joined outside of installation area, apply the bead to both top and bottom edges of the overlap.
  6. Do not disturb or try to peel joined surfaces. The cemented seam should fully cure in 24 hours.
- NOTE: COMMON PVC PIPE CEMENT WILL NOT SOLVENT WELD VINYL SHOWER PAN LINER

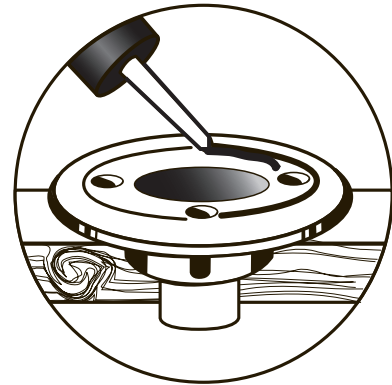
Pint size only

PART NUMBER	QTY
3008	12 cans per case

### Shower Pan Caulk

Excellent for sealing between shower pan liner and shower drains

- To insure a waterproof seal between the lower drain flange and the pan material, apply a small ring of #1709 caulking on top of the lower drain flange.
- Can be used anywhere an economical, weather resistant, long life sealant is required



For use please follow the installation instructions on page I-7

PART NUMBER	SIZE
1709	10 oz Cartridge



## History

In 1965, **PASCO** Specialty & Mfg., Inc. became the pioneer in the application of vinyl shower pan liner under a full mortar bed tile installation as a waterproofing alternative to the expensive and often unreliable hot mop, copper or lead sheets and composite methods. Since that date, **PASCO Vinyl Shower Pan Liner** has waterproofed over 7,000,000 ceramic tile shower stalls, gang showers, steam rooms and roman tubs.

## Product Information

### **PASCO Vinyl Shower Pan Liner:**

1. Meets or exceeds the specifications of ASTM D4551, which specifically covers vinyl shower pan liner.
2. Is manufactured from 100% Virgin Poly Vinyl Chloride Resin.
3. Is treated with biocides which prevent the growth of mold, mildew or fungus.
4. Is unaffected by concrete or cement.
5. The product maintains its integrity when installed in a damp, moist environment (the typical shower pan) away from the effects of sunlight and ozone. Under no circumstances should **PASCO Vinyl Shower Pan Liner** be used where there is direct exposure to the elements. Contact **PASCO** with specific requirements.

## 2 Different Thicknesses

Due to the multitude of plumbing code bodies and plumbing inspection jurisdictions, various thicknesses have been approved. **PASCO** offers the installer a choice of two thicknesses. Please check with local plumbing inspection department to be sure which thickness is approved. Regardless of the thickness, all **PASCO Vinyl Shower Pan Liner** is manufactured to the same exacting specifications.

## Pre Fab Corners

**PASCO** is the only company that offers 4 styles of prefabricated shower stall corners (installation standard IS 4-92 of The Uniform Plumbing Code (UPC) requires the use of shower stall corners in shower pan installations). Folding **PASCO Vinyl Shower Pan Liner** at the corner of the dam and wall can sometimes present problems. These prefabricated corners allow the installer to properly seal those areas where bare wood may be exposed to moisture damage. Although each corner is designed for a specific application, the versatility and large size allows the installer to make a waterproof seal in virtually any corner.



### Markings

**PASCO Vinyl Shower Pan Liner** is clearly marked with **PASCO's** company name, address, ASTM D4551, appropriate listing logos, thickness and width.

### Typical Applications

Shower pans, gang shower pans, steam rooms, fountains, ornamental or reflecting pools. Any application of a full mortar bed (defined as any area requiring a minimum of 1" of mortar) and ceramic tile which requires a waterproof underlayment.

### Installation

**PASCO Vinyl Shower Pan Liner** is relatively easy to install. However, the installer must be familiar with the step by step instructions contained in this brochure.

Installation of **PASCO Vinyl Shower Pan Liner** must be made in accordance with local plumbing codes. For technical, specification or installation assistance please contact **PASCO**.

### Approvals and Listings

**PASCO Vinyl Shower Pan Liner** was first approved by the city of Portland, Oregon in 1966. The following are specific listings or approvals:

- \* 30 mil and 40 mil - IAPMO File 2308
- 40 mil complies with section 417.5.2.1 of the International Plumbing Code (IPC)

\*NOTE: A layer of standard grade fifteen (15) pound asphalt impregnated roofing felt must be formed to the sub-base prior to installing the 30 mil material. Manufacturer furnished dam corners are required.

**PASCO** requires that its shower pan liner be installed by professional and licensed contractors only who are totally familiar with the proper installation requirements and the requirements of the local building or plumbing code jurisdiction.

Proper hand protection, such as disposal latex or nitrile gloves, and goggles to protect your eyes must be worn when installing this product.

Code recognized installation procedures are published in the Uniform Plumbing Code and are also available along with our Safety Data Sheets on our website at [www.pascospecialty.com](http://www.pascospecialty.com). Please call 800-421-2053 for additional information.

**PASCO's** Shower Pan Liner and Shower Pan Solvent Cement:

⚠ **Warning:** Birth Defects, Reproductive Harm, and Cancer. - [www.p65warnings.ca.gov](http://www.p65warnings.ca.gov).



## Product Specification Sheet

### Product Name:

**PASCO Vinyl Shower Pan Liner**

### Manufacturer:

**PASCO Specialty & Mfg., Inc.**

### Product Usage:

**PASCO Vinyl Shower Pan Liner** is a flexible sheet used without bedding mastic or coating for construction of concealed water-containment barriers.

Listed by the model building code of IAPMO, **PASCO Vinyl Shower Pan Liner** may be used for safe pans, ceramic tile tub and shower stalls, indoor swimming pools, steam rooms, fountains and planters in place of copper sheet, hot mop and lead sheet waterproofing methods.

May be solvent welded to cover large areas. Note: Only **PASCO Vinyl Shower Pan Liner Solvent Cement #3008** may be used to solvent weld **PASCO Vinyl Shower Pan Liner**.

### Limitations:

**PASCO Vinyl Shower Pan Liner** is to be concealed from sunlight when protection from water damage and long-term reliability is essential. This material cannot be exposed to outdoor elements.

### Product Description:

Color: Gray                      Thickness: 40 Mil

Color: Black                      Thickness: 30 Mil

Finish: Smooth Texture

Widths: Available in 48", 60", and 72" widths.

Lengths: Rolls come in lengths of 80 ft & 40 ft.

Markings: All **PASCO Vinyl Shower Pan Liner** is continuously marked with manufacturer's name, address, thickness, part number. Marked with IAPMO Listing # 2308 and ASTM D4551.

### Technical Data:

**PASCO Vinyl Shower Pan Liner** is a flexible poly vinyl chloride sheet made of a virgin PVC resin containing no regrind material with an inherent viscosity of not less than 0.92 and a PVC compound density of between 1.26 g/cc and 1.29 g/cc.

### Special Qualities:

- Requires no maintenance.
- Dramatic low temperature flexibility for easy installation in cold weather.
- Immune to mildew, fungus and bacterial degradation.
- Smooth surface to prevent snagging on metal lath.
- Lines every 6" for quick measurement.
- Easy to fold.
- Requires no special tools for installation.

### Code Listings:

- IAPMO File #2308
- Copies of all code listings available upon request.
- Approved by many cities, counties and states including the City of Los Angeles (#RR4703).

### Test Standard:

- Conforms to ASTM D4551 Test Standard.
- Meets FHA 1/30/63 test to determine suitability of materials for use as a shower pan.

### Guarantee:

**PASCO Vinyl Shower Pan Liner** is guaranteed by **PASCO Specialty & Mfg., Inc.** against failure caused by rot, rust, cracks, electrolysis and microorganism deterioration in un-exposed installations if installed according to **PASCO Installation Instructions**.

This warranty is limited to replacement of the material and freight charges to destination only. There are no other express or implied warranties and this warranty is in lieu of any other warranty. **PASCO** is not responsible for consequential damages. The remedy of the purchaser set forth herein is exclusive.

For additional information, please call **PASCO** toll free: (800) 421-2053 or 800-737-2726

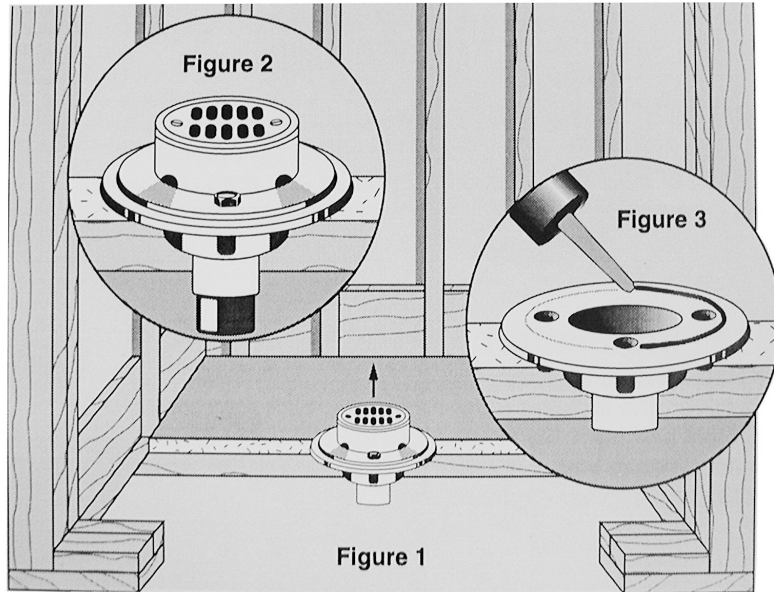




## Installation Instructions

**PASCO Vinyl Shower Pan Liner** is installed after the carpenters have finished the rough shower stall and dam. To provide support for the shower pan material, blocking of 2" x 10"s must be placed between the lower end of the studs, forming the shower stall. The outer face of the blocking must be flush with the studs, forming the shower stall. **PASCO Vinyl Shower Pan Liner** works with a clamping flange-type drain made of either cast iron or plastic.

**Figure 2:** The lower flange of the drain must be braced or resting on firm material to prevent any upward or downward movement.



### 1. Sloping Shower Stall Subfloor

To prevent puddling of moisture and to provide a smooth base for the shower pan material, a shower stall subfloor must be installed with a slope toward the drain of a 1/4" fall per foot.

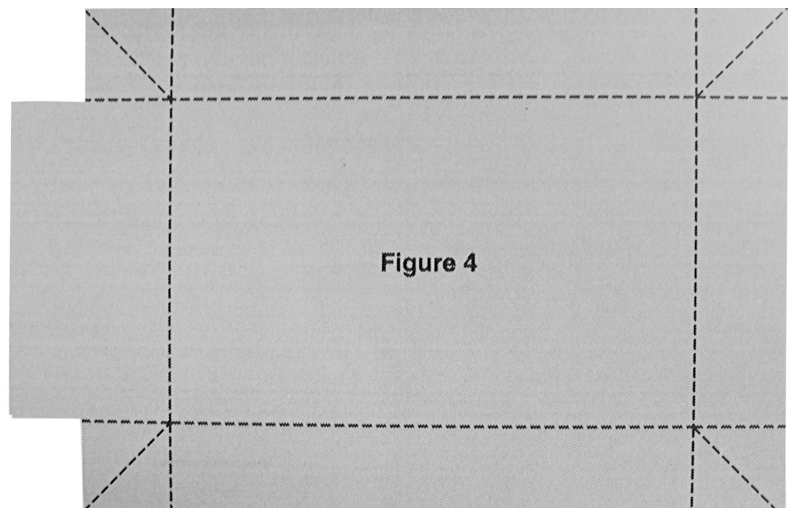
**Figure 1:** Construct the sloped subfloor using a mortar mixture of 1 part portland cement to 4 parts sand. Staple a layer of 15 lb. roofing felt to the subfloor of the shower stall. Cover the felt with the mortar mixture and trowel toward the drain. Be sure the drain is placed so that the top half edge of the drain flange is level with the top of the sloped subfloor. **Figure 2:** Allow the sloped subfloor to dry before proceeding with the installation of the shower pan liner. Be sure the sloped subfloor is dry and free of any debris such as nails, staples, etc. **PASCO Vinyl Shower Pan Liner** can be applied directly to the sloped subfloor surface.

### 2. Lining the Stall with the Vinyl Shower Pan Liner

Remove the top half of the shower drain. To insure a waterproof seal between the lower drain flange and the pan material, apply a small ring of **PASCO 1709** caulking on top of the lower drain flange. The ring of caulking must be on the outer perimeter of the drain bolt holes, **Figure 3**. Do not plug the bolt holes or weep holes with caulk. **IMPORTANT**-Do not use roofing mastic as a sealer around the drain. Measure the width and length of the stall area allowing 10 inches for each wall and about 16 inches for the dam. The dam must be covered by the liner on the inside face, top and outside face. After determining the amount of material needed, use a soft crayon or felt tip marker to draw a layout of the pan on the material,

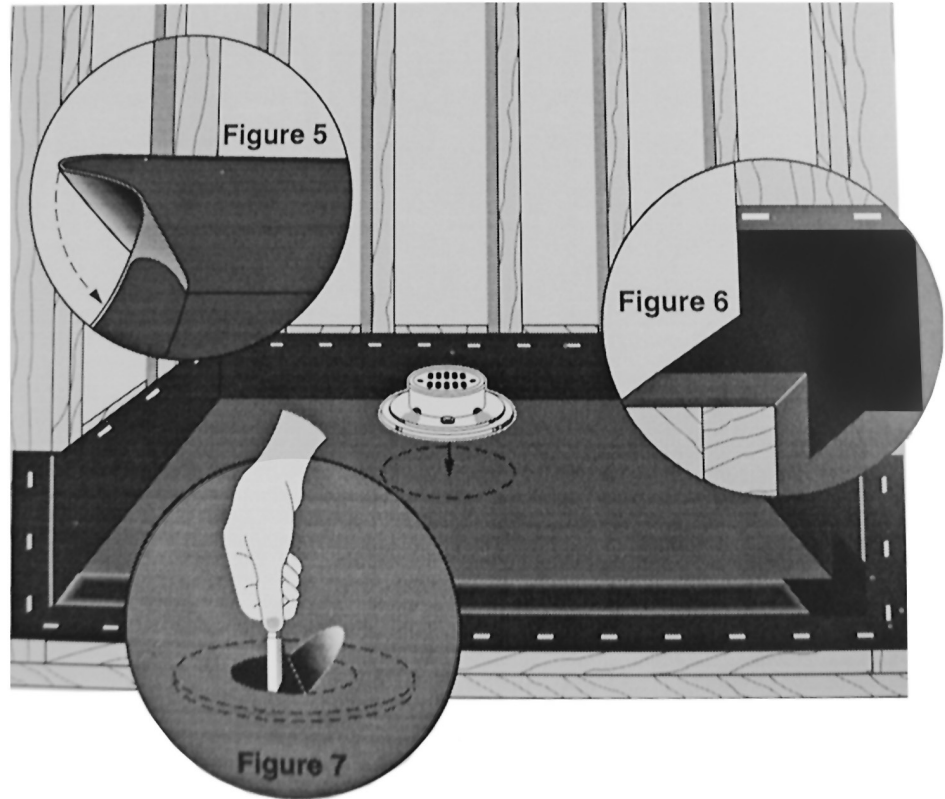
**Figure 4:** Cut the material with a utility knife and straight edge. Fold the pan material along the layout lines and place it in the shower stall. After the material is positioned in the stall, it can be either stapled or tacked into place. Never staple lower than three inches above the level of the dam. Place the first staple in the pan material to the backing board beginning in the middle of the back of the stall. Proceed to staple the material to the backing board at 2" intervals, working towards either corner of the stall.\*

\*NOTE: Where metal studs are used and no back-up material is provided, see Gang Shower Installation Instructions.



Make corner folds as indicated in **Figure 5** and staple. Continue stapling the material, working towards the shower stall front. Try to keep the material as even and free of wrinkles as possible. Fold corners at the dam and fasten securely. The folds at the dam are somewhat tricky. Try to make the fold as smooth as possible. If it becomes necessary to make a slit in the material at the dam corners, we recommend that you use **PASCO Pre-Fab Corners** to protect against leakage. After securely fastening the material on the outside of the dam (do not staple the material on top of the dam), cement the **PASCO Pre-Fab Corners** in place using **PASCO Vinyl Shower Pan Liner Solvent Cement**, **Figure 6**. The top half of the shower

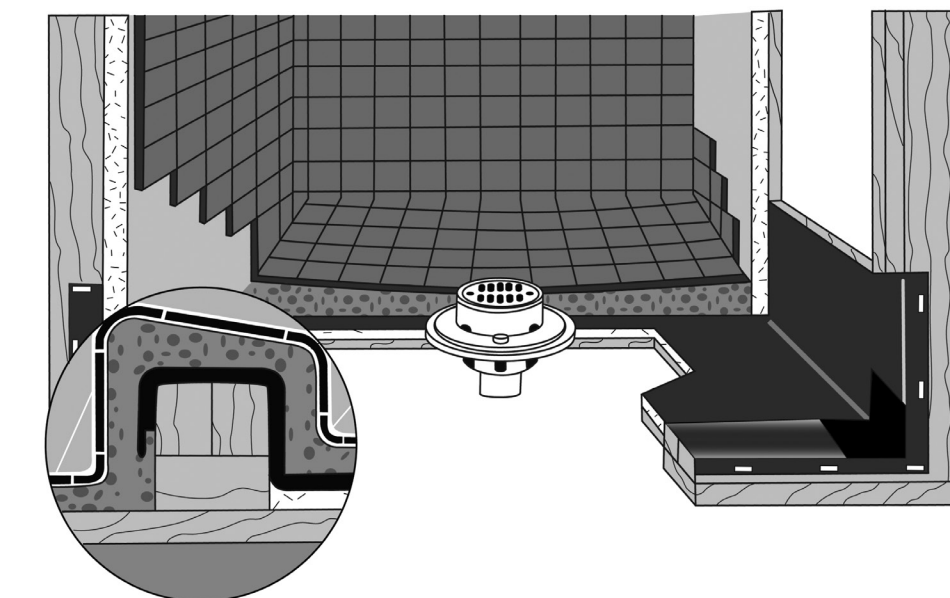
drain can now be bolted into place. Cut the material covering the drain opening, **Figure 7**. Do not make the cut larger than the drain opening. Locate the bolt holes, make small slits and bolt the drain halves firmly in place. To properly tighten, some drain styles may require a gasket of extra pan material. Simply cut this gasket from a piece of scrap material and cement it into place over the drain half.



### 3. Test for Water Tightness

Test the shower pan for water tightness by plugging the drain with the appropriate size test plug or nipple when using **PASCO's Quick Test Shower Drains**. The

test plug or nipple must be placed in the drain below the level of the weep holes. Fill the shower stall to the top of the dam for a period of time sufficient to establish its water tightness. Local codes require certain time limits for this test. Remove the



test plug or nipple and the water will drain through the weep holes of the drain. Cover the weep holes with small bits of gravel or broken tile to prevent them from becoming plugged when the mortar is poured. The shower pan installation is now complete and ready for the tile mortar base and waterproof wall material. Wrinkles in the material will flatten when the mortar is poured. If for some reason the mortar is not poured immediately after the pan has been installed, cover the pan areas with cardboard to protect it from damage. Remove the cardboard before pouring the mortar.

### 4. Replacing an Existing Leaking Shower Pan

An existing leaking shower pan can be replaced using the following method.

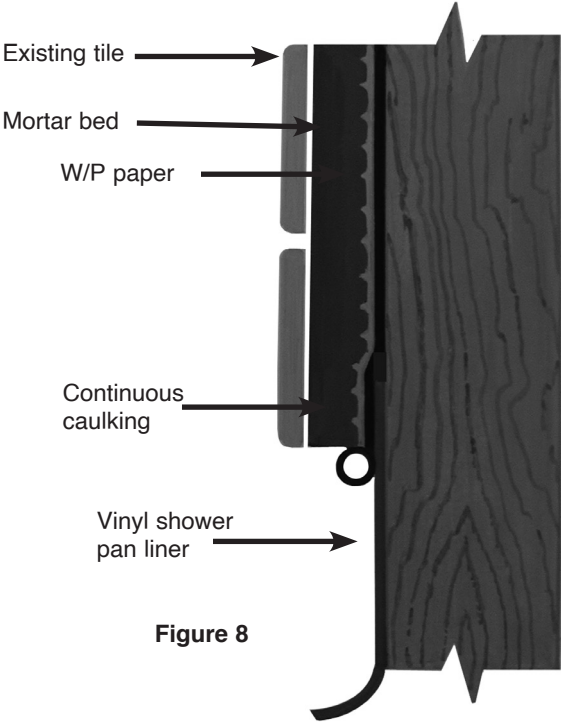


Figure 8

Remove the tile floor and the first course of tile from the wall of the shower stall using a small sledge hammer, crow bar or pry bar. Be sure to wear goggles.

Remove all material down to the original subfloor, including the old shower pan. If the subfloor is wooden, inspect it carefully for rotten floor boards that will need replacing. If no subfloor is evident, we recommend that one be installed as described in Section 1. Inspect the dam area for rotten boards and replace any if necessary. Install the shower pan material as described previously, but with the following modifications. Be sure that there is room for a minimum of one-half inch of mortar plus the thickness of the tile. If this amount of space is available, then the vinyl shower pan liner does not have to be recessed flush to the studs. Measure the area to be covered with liner as described before. The liner need only go up the walls far enough to meet sound tile and mortar. Tuck the liner up under existing tiles as far as possible and secure with staples or by tracking. A continuous bead of butyl rubber caulking should be applied to the area where the liner meets the existing sound tile and mortar. Test for water tightness as described previously. Metal building lath is used to back the mortar for the new tile. Measure lath and cut to fit. Be careful not to puncture the shower pan liner when placing lath. Install full mortar bed and tile to industry specifications and local plumbing or building codes,

Figure 8.

### Shower Pan Joining Instructions

Due to the variety of widths, lengths and heights of shower stalls, gang showers and similar areas which require waterproofing, it may be necessary to join widths of **PASCO Vinyl Shower Pan Liner**. The following instructions must be followed very carefully to achieve a waterproof seal.

**IMPORTANT** - Use only **PASCO Vinyl Shower Pan Liner Solvent Cement** (Part Number 3008) for joining pan sheets. It is specially formulated to make a permanent waterproof seal when used as directed. To join sheets allow a 4" minimum overlap. Apply a thin, even coat of cement to both surfaces to be joined. The entire surface of material to be joined must be covered with cement. Apply the cement to short lengths of material, not to exceed 3 feet at a time, **Figure 9**.

Join cemented surfaces as quickly as possible before cement dries. For long seams exceeding 6 feet in length, use a weighted, smooth flooring roller to facilitate bonding of material, **Figure 10**.

Apply a wide bead of cement to the entire length of the overlap. If material has been joined outside of the installation area, apply the bead to both top and bottom edges of the overlap, **Figure 11**.

Do not disturb or try to peel joined surfaces. The cemented seam should fully cure in 24 hours. Test for water tightness as described in section 3.

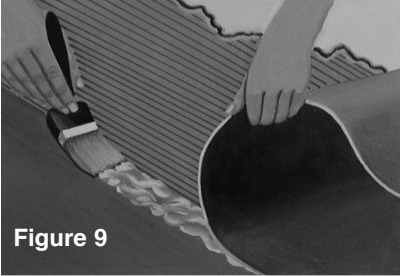


Figure 9



Figure 10



Figure 11



## GANG SHOWER INSTALLATION

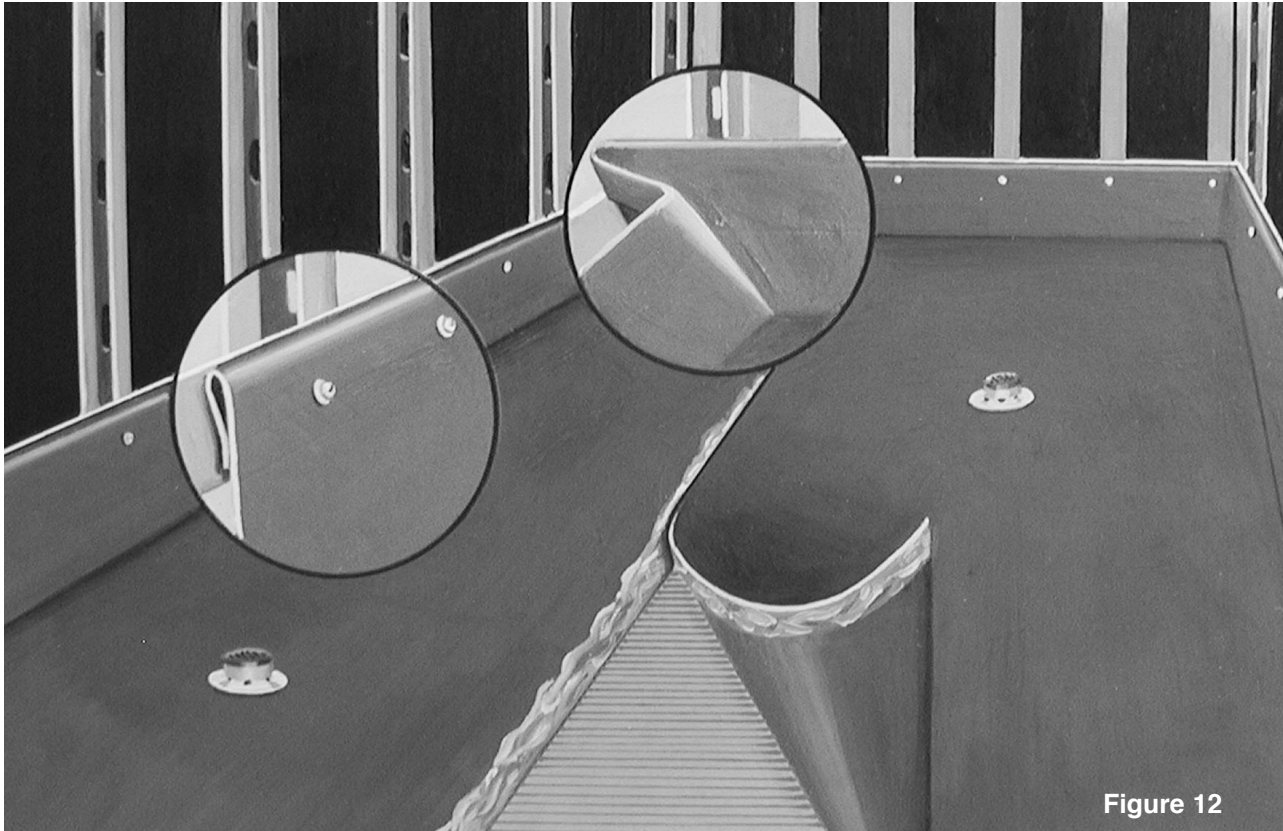


Figure 12

Shower areas with multiple shower heads and drains are commonly referred to as “gang showers”. These shower areas are found in schools, dormitories, sports facilities and commercial installations.

Read the previous instructions in this brochure and pay particular attention to the corner, drain and seaming details (see Figures 1 through 11).

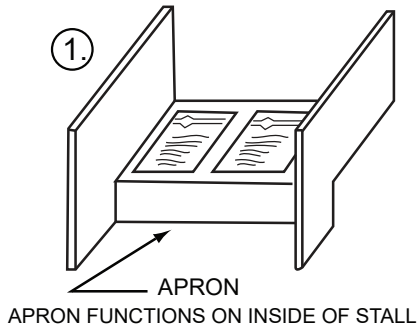
When large areas must be covered, **PASCO Vinyl Shower Pan Liner** can be easily joined. Sections of the liner can be joined as they are laid. Lay sections to be joined, side by side and follow the instructions for joining as explained in Figures 9 through 11.

If metal studs are present, proceed as follows. The shower pan material must be attached at the height of at least three inches above the highest flood level of the shower area. Determine this height and attach a metal furring strip at this level around the entire shower stall area.

Measure the shower area, determine the amount of material required and also determine where seams will be required. To attach the shower pan material to the metal furring strip, fold the material as indicated in Figure 12. Use a small diameter, short length, self tapping sheet metal screw with a small washer to fasten the material to the metal furring strip. Space screws at a distance which will prevent the material from sagging.

Finish the drain installation as described in Figure 7 and perform appropriate water test as described in installation section # 3.





## TYPICAL SHOWER DAM CORNER INSTALLATION

PART NO: 3000

1. This is a pair of Dam Corners for a New Style Shower Stall. There is a RIGHT and a LEFT. Separate them by cutting between the lines on the product label.

2. From inside the shower stall looking outward..... this is the RIGHT Dam Corner.

3. From inside the shower stall looking outward..... this is the LEFT Dam Corner.

4. This is the RIGHT Dam Corner 2 as observed when looking INTO the shower stall. Place Dam Corner 2 in position and cut it's corner with knife or shears until the cut reaches the OUTSIDE edge of where dam and jamb meet.

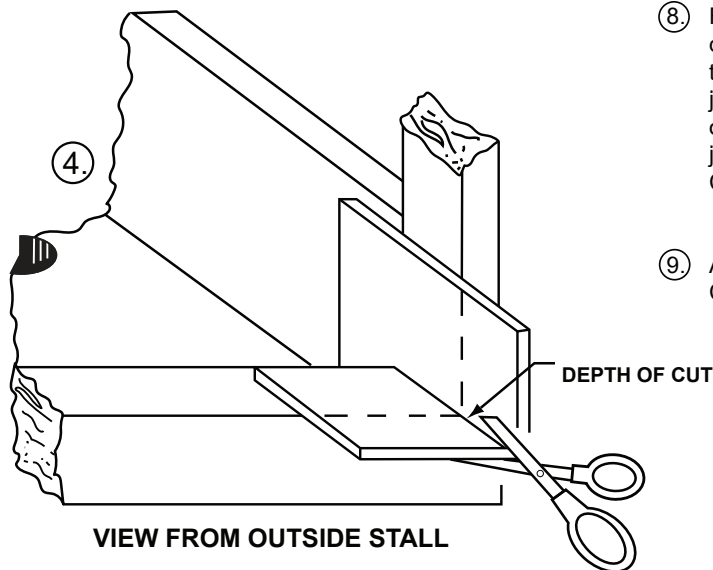
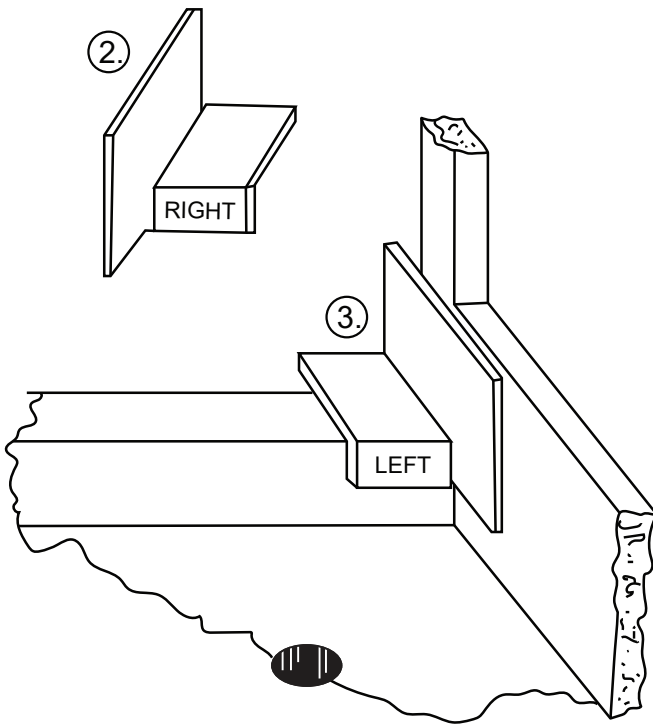
5. Remove Dam Corner 2 and, following PASCO Vinyl Solvent Cement instructions, apply cement to all contact surfaces of Dam Corners 2.

6. Lay Dam Corner 2 to one side. Keep surface with solvent cement free of dirt.

7. Apply PASCO Solvent Cement to surfaces of Dam and Jamb which will come to contact with Dam Corner 2.

8. Following cement instructions, apply Dam Corner 2 to dam and jamb. Position apron and corner of Dam Corner so that they are exactly matched to similar surfaces of the jamb and dam. Contact is made. Fold protruding material on either side of corner cut into contact with outside of jamb and dam. Use heel of hand or roller to press Dam Corner firmly into place.

9. Apply LEFT Dam Corner 3 in same way that RIGHT Dam Corner 2 was applied.



PASCO SOLVENT CEMENT: Pint= #3008



## Shower & Floor Drain Cast Iron

- Adjustable strainer - 1-1/4" Adjustment
- 4-3/16" Heavy chrome plated brass strainer
- Add suffix **BN** for **Brush Nickel** strainer



PART NUMBER	DRAIN CONNECTION	TOP FLANGE DIAMETER	BOTTOM FLANGE DIAMETER
60201	2" Inside Caulk	5"	7"
60203	2" IPS		
60205	2" No-Hub		
60981	4-3/16" threaded chrome plated brass strainer only		

## Shower & Floor Drain Cast Iron

- Adjustable strainer - 1-1/4" Adjustment
- 4-3/16" Heavy chrome plated brass strainer
- Add suffix **BN** for **Brush Nickel** strainer



PART NUMBER	DRAIN CONNECTION	TOP FLANGE DIAMETER	BOTTOM FLANGE DIAMETER
60201SQ	2" Inside Caulk	5"	7"
60203SQ	2" IPS		
60205SQ	2" No-Hub		
60981SQ	4-3/16" threaded chrome plated brass strainer only		

## Shower & Floor Drain PVC or ABS

- Adjustable strainer - 1-1/4" Adjustment
- 4-3/16" Heavy chrome plated brass strainer



PART NUMBER	DESCRIPTION
8017	2X3 PVC/Brass w/Round Head Top
8018	2X3 PVC/Brass w/Square Head Top
8021	2X3 ABS/Brass w/Round Head Top
8022	2X3 ABS/Brass w/Square Head Top

4-3/16" Replacement strainer available in chrome and brushed finish. 60981, 60981SQ, 60981BN, 60981SQBN

## Shower & Floor Drain PVC or ABS

- Adjustable strainer - 1-1/4" Adjustment
- Cast metal ring & strainer
- 4-3/16" Heavy chrome plated brass strainer



PART NUMBER	DESCRIPTION
8017-BN	2X3 PVC/Brass w/Round Head Top
8018-BN	2X3 PVC/Brass w/Square Head Top
8021-BN	2X3 ABS/Brass w/Round Head Top
8022-BN	2X3 ABS/Brass w/Square Head Top

4-3/16" Replacement strainer available in chrome and brushed finish. 60981, 60981SQ, 60981BN, 60981SQBN



**2" Quick Connect Shower Drain**

**Quick Clamping Gasket And Collar For Ceramic Tile Showers**

- Cast Iron
- Clamping collar securely attaches drain to drain line
- Speeds installation
- Extra heavy (.050) strainer



PART NUMBER	TOP FLANGE DIAMETER	BOTTOM FLANGE DIAMETER
7990	5-1/2"	7"

**"Quick Test" Shower Drain**

**For Ceramic Tile Showers**

- Threaded for test nipple
- Cast iron
- Extra heavy (.050) strainer



PART NUMBER	DRAIN CONNECTION
8006	2" IPS
8012	2" No Hub

**2" Quick Set Shower Drain**

**For Ceramic Tile Showers**

- Internal locknut and gasket for 2" DWV
- Cast Iron
- Extra heavy (.050) strainer

Internal locknut & gasket



PART NUMBER	TOP FLANGE DIAMETER	BOTTOM FLANGE DIAMETER
8014	5-1/2"	5-1/2"

**Plastic Shower Drain**

**Clamping Ring Style**

- 4" diameter strainer
- 2" IPS plastic tailpiece allows adjustment to desired level
- Fits over 2" or inside 3" Schedule 40 DWV



PART NUMBER	MATERIAL	DRAIN CONNECTION	TOP FLANGE DIAMETER	BOTTOM FLANGE DIAMETER
8015	PVC	2"-3" PVC	5-1/4"	6-1/2"
8016	ABS	2"-3" ABS		
8019	4" Stainless Steel Strainer			
8015-T	4" Stainless Steel w/ PVC Tailpiece			



## PASCO Specialty & Mfg., Inc.

P.O. Box 1667  
 South Gate, CA 90280  
 Phone (310) 537-7782  
 Fax (800) 737-2726

7529 Perryman Court  
 Curtis Bay, MD 21226  
 Phone (410) 360-5010  
 Fax (877) 377-6466

www.pascospecialty.com

### TECHNICAL SPECIFICATION SUBMITTAL

Flexible polyvinyl chloride (PVC) sheeting for water proofing ceramic tile showers.

Job Name \_\_\_\_\_ Date \_\_\_\_\_

Model Specified \_\_\_\_\_ Quantity \_\_\_\_\_

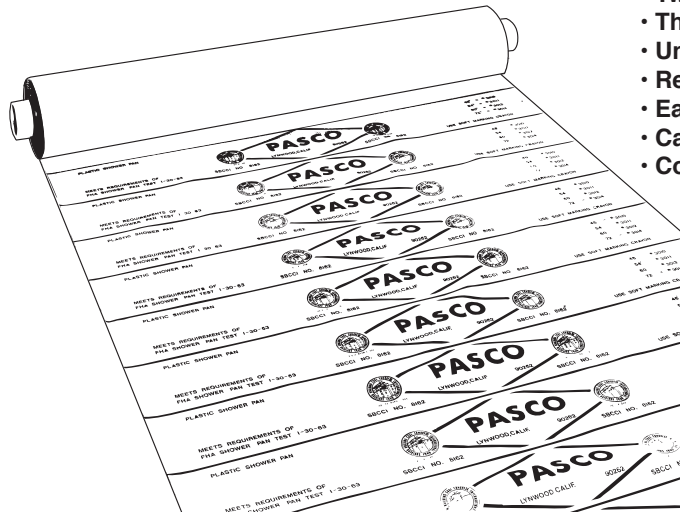
Customer/Wholesaler \_\_\_\_\_

Contractor \_\_\_\_\_

Architect/Engineer \_\_\_\_\_

Engineering Specification: Flexible polyvinyl chloride (PVC) sheeting to use to water proof ceramic tile shower stalls in residential, institutional or commercial installations.

## Flexible Vinyl Shower Pan Liner

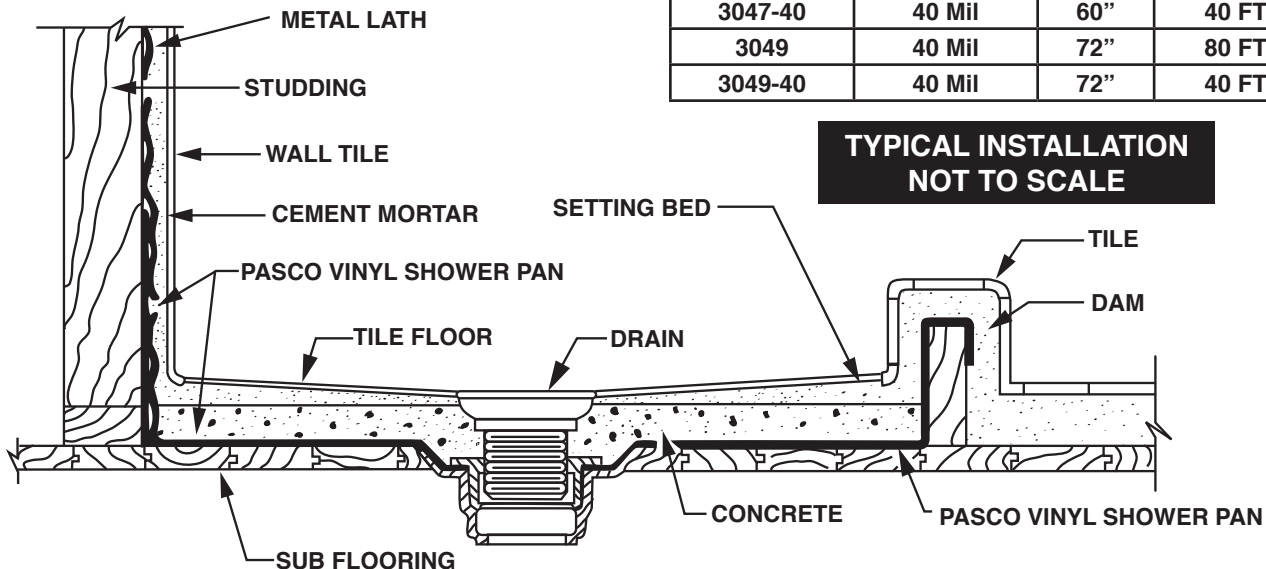


- Two thicknesses 30mil or 40mil
- Three widths 48" - 60" - 72" - 80" rolls (approx)
- Unaffected by mold, mildew or fungus
- Remains flexible even during low temperature installations
- Easily installed with no waiting period before testing
- Can be solvent welded to joint sections for large areas
- Complete installation instructions are available on the website

Complies with:

- ASTM D4551
- IAPMO File 2308 - 30 and 40 mil

PART NUMBER	THICKNESS	WIDTH	APPROX. LENGTH
3018	30 Mil	60"	80 FT
3020	30 Mil	72"	80 FT
3045	40 Mil	48"	80 FT
3047	40 Mil	60"	80 FT
3047-40	40 Mil	60"	40 FT
3049	40 Mil	72"	80 FT
3049-40	40 Mil	72"	40 FT



### Flexible Waterproofing Membrane





## Pasco

### Product Specification

Product Name **PASCO Vinyl Shower Pan Liner**

Manufacturer **PASCO Specialty and Manufacturing Inc.**

Product Usage **PASCO Vinyl Shower Pan Liner** is a flexible sheet used without bedding mastic or coating for construction of concealed water-containment barriers.

Product Limitations **PASCO Vinyl Shower Pan Liner** is to be concealed from sunlight when protection from water damage and long-term reliability is essential. This material *cannot* be exposed to outdoor elements.

### Product Description

Color	Gray	40 mil thickness
	Black	30 mil thickness
Finish	Embossed texture	
Widths	Available in 48", 60", 72"	
Lengths	Available in 40', 80'	
Markings	All PASCO Vinyl Shower Pan Liner is continuously marked with the manufacturer's name, thickness, part number, IAPMO file # 2308, ASTM D4551.	

Property	Unit	specification	
		30 mil	40 mil
Thickness	inches	0.030 minimum	0.040 minimum
Tensile Strength	lbf/inch	60 minimum	80 minimum
Tensile Stress @ 100% elongation	lbf/inch	30 minimum	40 minimum
% elongation at break	%	300 minimum	300 minimum
tear resistance	lbf/inch	185 minimum	250 minimum
Pinholes	number	none	none
Micro-organism resistance	specimen, pass/fail	12/12 pass	12/12 pass
Puncture resistance	specimen, pass/fail	6/6 pass	6/6 pass
Indentation resistance	specimen, pass/fail	3/3 pass	3/3 pass
Folding resistance	specimen, pass/fail	3/3 pass	3/3 pass
Chemical resistance			
Distilled H2O	% weight change	+ 1% maximum	+ 1% maximum
Soapy H2O	% weight change	+ 2% maximum	+ 2% maximum
Alkali	specimen, pass/fail	3/3 pass	3/3 pass
Hydrostatic pressure test	specimen, pass/fail	3/3 pass	3/3 pass
Shrinkage	% original	- 5% maximum	- 5% maximum
Volatile loss @ 158F	% loss	- 1.5% maximum	- 1.5% maximum

# GRAY SHOWER PAN LINER

**PASCO**



Curtis Bay, MD 21226



Lynwood, CA 90262

**Shower Pan Liner**  
Since 1965