

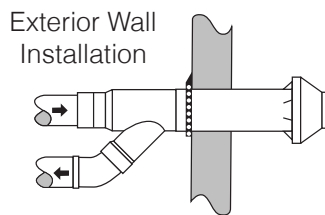
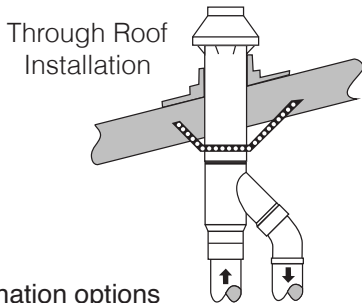


Concentric Vent Kits

For high efficiency tankless water heaters

- PVC vents simplify installation
- Available in 2", 3" and 4" IPS
- Can be used vertically or horizontally
- Interior screen prevents bird or rodent entry

Flexible Installation



Termination options

Concentric vent kits allows for both exhaust and intake pipes to penetrate the roof or side wall through only one hole.

- Molded cap with socket allows for vent screens and extensions. Cap can be mechanically fastened, allowing for quick removal and easy cleaning.
- Integral fins prevent the cap from sitting flush to the wall, ensuring proper spacing needed for air flow.
- Pipe in pipe design allows for single wall penetration resulting in fewer holes to core & seal.
- Short branch on the Wye makes for a stronger fitting which can be installed in tighter spaces.

Low profile side wall vent kits offer a lower profile alternative to the typical two pipe side wall snorkel termination. They include integrally molded vent screens, and the design neatly disguises both the intake and exhaust



PART NUMBER	INTAKE SIZE
22152	2"
22153	3"
22154	4"

Replacement Rain Cap for Vents

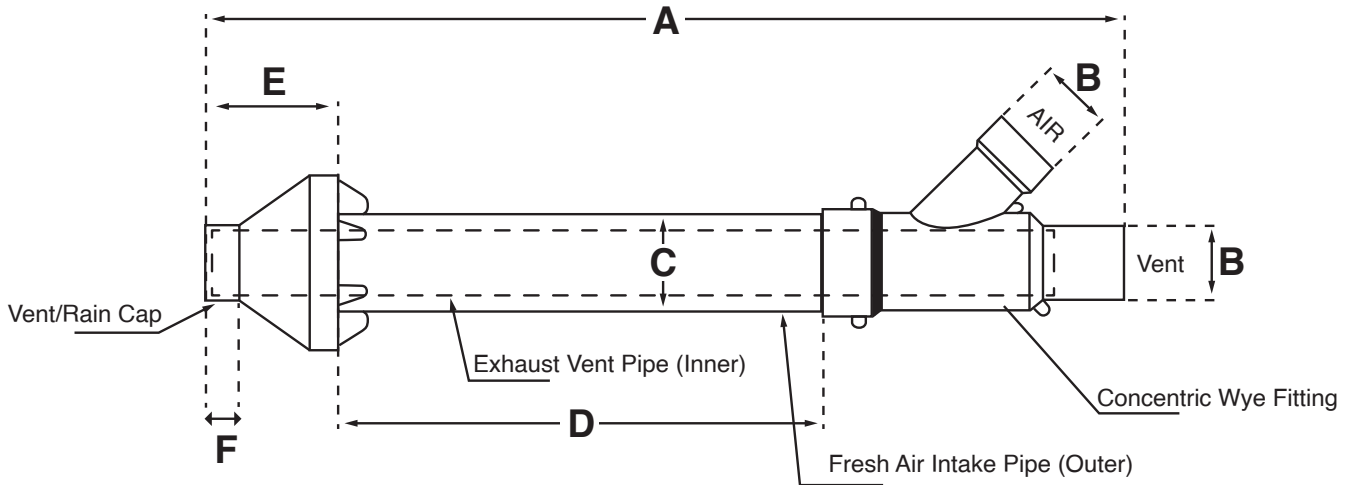
- For use on intake vent systems
- Available in 2", 3" and 4"



PART NUMBER	SIZE
22157-C	2"
22158-C	3"
22159-C	4"

SUBMITTAL DATA SHEET

Concentric Vent Kits



Part No.	A	B Nominal PVC Pipe Size	C	D	E	F
22152	33" (840mm)	2"	3.5" (89mm)	17.5" (445mm)	4.85" (123mm)	1.2" (30.5mm)
22153	39" (990mm)	3"	4.5" (114mm)	22" (559mm)	5.5" (140mm)	1.6" (41mm)
22154	57.25" (1455mm)	4"	5.5" (140mm)	39.25" (997mm)	8.1" (206mm)	4.35" (111mm)

- Do not use the Concentric Vent kit for anything other than a Category IV heater. Failure to follow this warning could result in fire, personal injury or death.
- Do not operate the heater until the installation and assembly of the Concentric Vent and all piping are completed. Failure to follow this warning could result in product damage or improper operation, personal injury or death.
- Recirculation of flue gasses may occur, causing the intake pipe to freeze shut during cold weather operation if the venting system is not installed per these guidelines.

Material: Polyvinyl Chloride (PVC)

Finish: Plain White

Standard: ASTM D1785, UL 1738.

NOTE: The Concentric Vent reduces the allowable intake/vent piping length by 5 feet from that listed in the basic heater installation instructions.



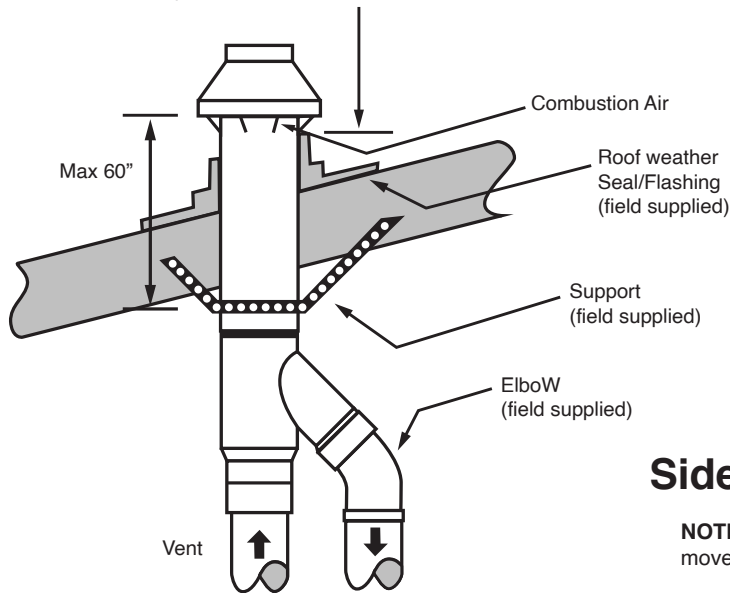
WARNING: Birth Defects, Reproductive Harm, and Cancer. www.p65warnings.ca.gov.

SUBMITTAL DATA SHEET

Concentric Vent Kits

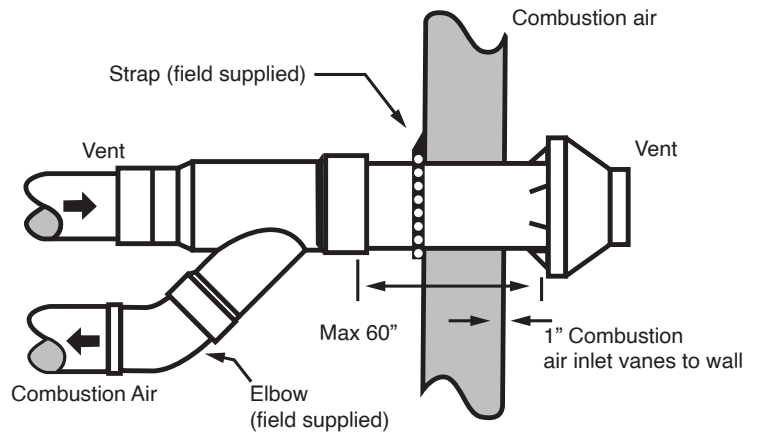
Typical Roof Install

Maintain 12" minimum clearance above highest anticipated snow level. maximum of 24" above roof.



Sidewall Termination Details

NOTE: Securing strap must be field installed to prevent movement to termination kit in side wall



Features:

- Cut only one hole instead of traditionally cutting two holes through roof or side wall for exhaust and intake pipes to complete installation.
- The preferred vertical roof termination which is less susceptible to damage than horizontal sidewall termination and reduces the chance of intaking contaminants and also has less visible vent vapors.
- The Concentric Vent reduces the allowable intake/vent piping length by 5 feet from that listed in the basic heater installation instructions.

NOTE: Refer to installation instructions provided with each unit. Install in accordance with local plumbing code. Complied with UL 1738.

Horizontal Vent Kits

For high efficiency tankless water heaters

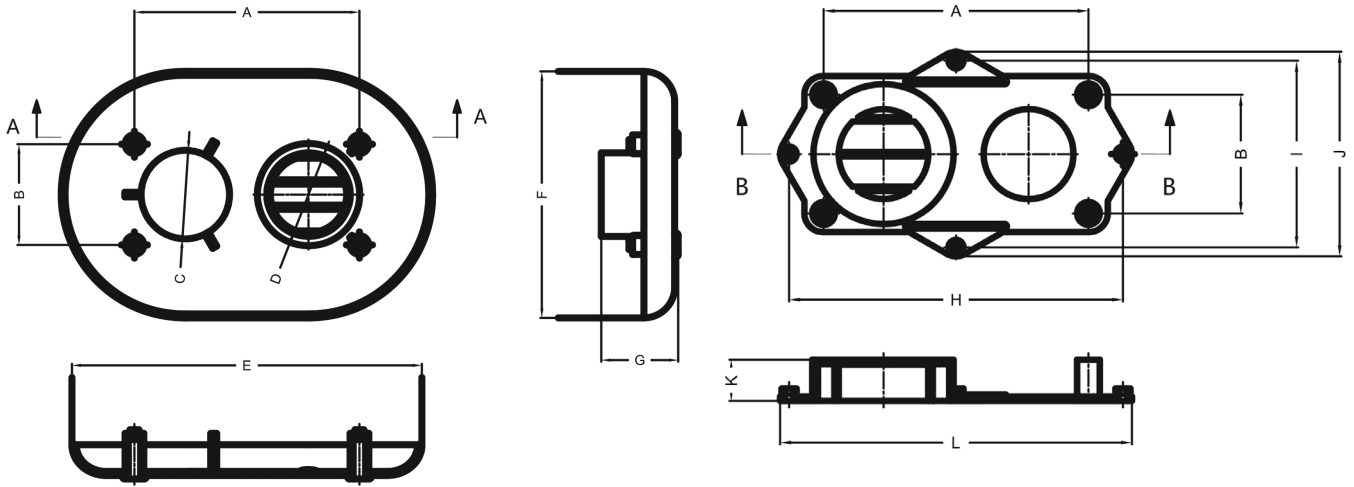


- For horizontal venting
- Available in 2" and 3" IPS sizes
- Poly vents simplify installation
- Only requires one hole
- Avoids exhausting and intake air mixing
- Fits PVC or ABS pipe

PART NUMBER	INTAKE SIZE
22155	2"
22156	3"

SUBMITTAL DATA SHEET

Horizontal Vent Kits



PART NUMBER	A	B	C	D	E	F	G	H	I	J	K	L
22155	7.20"	3.22"	NOM.2"	NOM.2"	11.20"	7.86"	2.46"	9.06"	5.06"	5.55"	1.12"	9.55"
22156	7.20"	3.22"	NOM.3"	NOM.3"	11.20"	7.86"	2.46"	9.06"	5.06"	5.55"	1.12"	9.55"

Part No 22155-22156

Material: PVC (Polyvinyl Chloride)

Size: 2" - 3"

Function: This vent kit is only to be used for venting category IV heaters. Do not use this kit to vent Category I, II, or III heaters. Do not apply to non-condensing heaters. Do not use for roof top venting.

- Use for water heater horizontal venting.
- Polypropylene material.
- Non-Corrosive, Non-Conductive.
- Hide exhausting and intake pipes. Avoid exhausting and intake air mixing.

Clear Vinyl Tubing

- Flexible, transparent, lightweight and durable
- Excellent use for condensate drainage



PART NUMBER	DESCRIPTION
12401	1/4" I.D. 3/8" O.D. x 100'
12402	3/8" I.D. 1/2" O.D. x 100'
12403	1/2" I.D. 5/8" O.D. x 100'
12404	5/8" I.D. 3/4" O.D. x 100'
12405	3/4" I.D. 7/8" O.D. x 100'
12406	7/8" I.D. 1" O.D. x 50'

Braided PVC Tubing

- The braided design helps reinforce the strength of the hose
- Flexible, transparent, lightweight, durable and non-toxic



PART NUMBER	DESCRIPTION
12408	3/8" I.D. x 50'
12410	5/8" I.D. x 50'

N/M Fittings Conduit Whips

- UL Listed
- Cable consists of insulated conductors inserted into a non-metallic conduit with PVC connectors
- Be designed for reliable use as a connection between air conditioning unit and electrical power source

PART NUMBER	DESCRIPTION
15802	1/2" x 6' 10GA
15803	3/4" x 4' 8GA w/Ground
15804	3/4" x 6' 8GA w/Ground



Water Proof Shoe Covers

- Dark blue, disposable
- Box packaged
- Anti-skid
- Resist the dirt, mud, scuffs & scratches
- Box of 40 pairs

PART NUMBER
41705



Metallic Disconnect Switches

- UL Listed
- NEMA type 3R enclosure for outdoor use
- Available in Fusible & Non-Fusible
- Combination electrical wall outlet for outdoor use
- Comes pre-assembled for easy installation

PART NUMBER	DESCRIPTION
15539	60A Non-Fused
15540	30A Fused
15541	60A Fused



Nylon Conduit Fittings

- UL Listed
- Used to terminate and seal liquid
- Connectors can be used with tapered thread female entry or unthreaded knock-out using the provided sealing washer and locknut
- No disassembly required & reusable

PART NUMBER	DESCRIPTION
15813	1/2" Nylon Multi-Piece
15814	3/4" Nylon Multi-Piece
15815	1/2" 90° Elbow Nylon Multi-Piece
15816	3/4" 90° Elbow Nylon Multi-Piece



Non-Metallic Liquid Tight Conduit

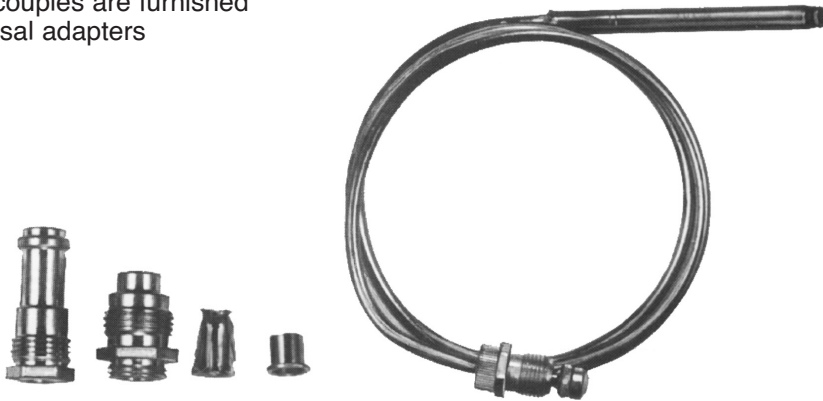
- UL Listed
- Made from high quality PVC
- Smooth inside for easier wire pulling, no hazardous sharp edges or burrs, will not damage conductors
- Light weight and lower installed cost
- Quick installation, cuts with utility knife or PVC cutter

PART NUMBER	DESCRIPTION
15841	1/2" x 100'
15842	3/4" x 100'



Copper Thermocouples

All thermocouples are furnished with universal adapters



PART NUMBER	LENGTH
9500	18"
9501	24"
9502	30"
9503	36"
9504	48"

Foam Tape

- Excellent sealing and resistance to deformation feature, toxic free
- Can be used from -40F to 248F
- Superior shock absorbing



PART NUMBER	DESCRIPTION
42511	1/8" x 2" x 30' Roll

Spray Paints

- Widely used in metal, wood, glass, leather goods, ceramics, ABS plastic and other material objects of the spraying or mending
- High coverage, good adhesion, well hardness & flexibility, impact enduring



PART NUMBER	DESCRIPTION
42500	Flat Cold Zinc Galvanize 10 oz
42501	Flat Black 10 oz
42503	Gloss Black 10 oz

Concrete Anchoring System

- Suitable for concrete, brick applications
- Suitable for some preservative-treated wood applications
- One drill bit included in each box
- 100 Per box



PART NUMBER	DESCRIPTION
41103	3/16" x 1-1/4" Hex Washer Head
41104	1/4" x 1-1/4" Hex Washer Head
41105	1/4" x 1-3/4" Hex Washer Head

Waffle Squares Equipment Pads

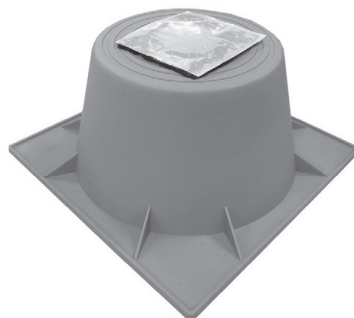
- Designed to reduce problems in industry caused by structure born vibrations and noise very thick and very durable
- Have excellent vibration-reducing effect



PART NUMBER	DESCRIPTION
18317	2" x 2" x 3/4"
18318	4" x 4" x 3/4"
18319	18" x 18" x 3/4"

One Piece Condenser Risers

- Sturdy & Stable
- Used to elevate the system from the potential threat of rain or snow
- Extends the life of your condenser or heat pump by allowing the base of the unit to stay dry



PART NUMBER	DESCRIPTION
18031	6"